

## System-Side Impedance Track™ Fuel Gauge With Direct Battery Connection

### FEATURES

- Battery Fuel Gauge for 1-Series Li-Ion Applications
- Resides on System Main Board
  - Works with Embedded or Removable Battery Packs
  - Uses *PACK+*, *PACK-*, and *T* Battery Terminals
  - Can be Powered Directly From Battery Pack (no LDO required)
- Microcontroller Peripheral Provides:
  - Accurate Battery Fuel Gauging
  - *Battery Low* Interrupt Warning
  - *Battery Insertion* Indicator
  - 64 Bytes of Non-Volatile Scratch Pad FLASH
- Battery Fuel Gauging Based on Patented Impedance Track™ Technology
  - Models Battery Discharge Curve for Accurate Time-To-Empty Predictions
  - Automatically Adjusts for Battery Aging, Battery Self-Discharge, and Temperature/Rate Inefficiencies
  - Low-Value Sense Resistor (10 mΩ or less)
- I<sup>2</sup>C™ for Connection to System Microcontroller Port
- Small 12-pin 2,5 mm × 4 mm SON Package

### APPLICATIONS

- Smartphones
- PDAs
- Digital Still and Video Cameras
- Handheld Terminals
- MP3 or Multimedia Players

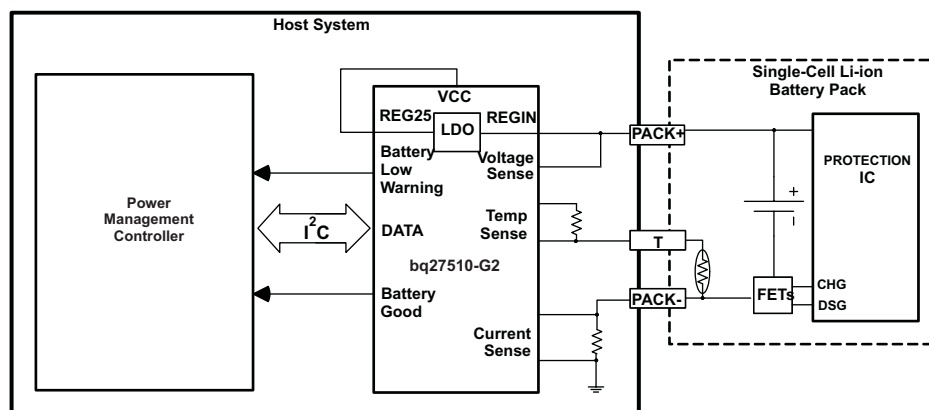
### DESCRIPTION

The Texas Instruments bq27510-G2 system-side Li-Ion battery fuel gauge is a microcontroller peripheral that provides fuel gauging for single-cell Li-Ion battery packs. The device requires little system microcontroller firmware development. The bq27510-G2 resides on the system's main board and manages an embedded battery (non-removable) or a removable battery pack.

The bq27510-G2 uses the patented Impedance Track™ algorithm for fuel gauging, and provides information such as remaining battery capacity (mAh), state-of-charge (%), run-time to empty (min.), battery voltage (mV), and temperature (°C).

Battery fuel gauging with the bq27510-G2 requires only *PACK+* (P+), *PACK-* (P-), and Thermistor (T) connections to a removable battery pack or embedded battery.

### TYPICAL APPLICATION



Please be aware that an important notice concerning availability, standard warranty, and use in critical applications of Texas Instruments semiconductor products and disclaimers thereto appears at the end of this data sheet.

Impedance Track is a trademark of Texas Instruments.

I<sup>2</sup>C is a trademark of Phillips Corporation.



These devices have limited built-in ESD protection. The leads should be shorted together or the device placed in conductive foam during storage or handling to prevent electrostatic damage to the MOS gates.

## DEVICE INFORMATION

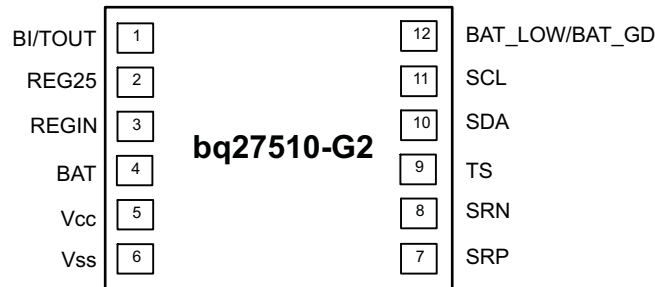
### AVAILABLE OPTIONS

PART NUMBER <sup>(1)</sup>	PACKAGE <sup>(2)</sup>	TA	COMMUNICATION FORMAT	TAPE and REEL QUANTITY
bq27510DRZR-G2	12-pin, 2,5-mm × 4-mm SON	–40°C to 85°C	I <sup>2</sup> C	3000
bq27510DRZT-G2				250

(1) For bq27510-G1 users, please refer to "bq27510-G1 to bq27510-G2 CHANGE LIST" (SLUA567) for device change information.

(2) For the most current package and ordering information see the Package Option Addendum at the end of this document; or, see the TI website at [www.ti.com](http://www.ti.com).

### PIN DIAGRAM



### PIN FUNCTIONS

PIN		TYPE <sup>(1)</sup>	DESCRIPTION
NAME	NO.		
BI/TOUT	1	I/O	Battery-insertion detection input. Power pin for pack thermistor network. Thermistor-multiplexer control pin. Open-drain I/O. Use with pull-up resistor >1MΩ (1.8 MΩ typical).
REG25	2	P	2.5 V output voltage of the internal integrated LDO.
REGIN	3	P	The input voltage for the internal integrated LDO.
BAT	4	I	Cell voltage measurement input. ADC input.
V <sub>cc</sub>	5	P	Processor power input. Decouple with 0.1μF ceramic capacitor minimum.
V <sub>ss</sub>	6	P	Device ground
SRP	7	IA	Analog input pin connected to the internal coulomb counter where SRP is nearest the PACK-connection. Connect to 5-mΩ to 20-mΩ sense resistor.
SRN	8	IA	Analog input pin connected to the internal coulomb counter where SRN is nearest the V <sub>SS</sub> -connection. Connect to a 5-mΩ to 20-mΩ sense resistor.
TS	9	IA	Pack thermistor voltage sense (use 103AT-type thermistor). ADC input
SDA	10	I/O	Slave I <sup>2</sup> C serial communications data line for communication with system (Master). Open-drain I/O. Use with 10-kΩ pull-up resistor (typical).
SCL	11	I	Slave I <sup>2</sup> C serial communications clock input line for communication with system (Master). Use with 10-kΩ pull-up resistor (typical).
BAT_LOW/ BAT_GD	12	O	Battery-good or Battery-low output indicator. Desired function polarity selected through the Operation Configuration register. Open-drain output

(1) I/O = Digital input/output; IA = Analog input; P = Power connection.

## ELECTRICAL SPECIFICATIONS

### ABSOLUTE MAXIMUM RATINGS

over operating free-air temperature range (unless otherwise noted)<sup>(1)</sup>

		VALUE	UNIT
V <sub>REGIN</sub>	Regulator input voltage	-0.3 to 24	V
V <sub>CC</sub>	Supply voltage range	-0.3 to 2.75	V
V <sub>IOD</sub>	Open-drain I/O pins (SDA, SCL, BAT_LOW/BAT_GD)	-0.3 to 6	V
V <sub>BAT</sub>	BAT input pin	-0.3 to 6	V
V <sub>I</sub>	Input voltage range to all other pins (TS, SRP, SRN, BI/TOUT)	-0.3 to V <sub>CC</sub> + 0.3	V
T <sub>F</sub>	Functional temperature range	-40 to 100	°C
T <sub>STG</sub>	Storage temperature range	-65 to 150	°C
ESD	Human Body Model (HBM), BAT pin	1.5	KV
	Human Body Model (HBM), all other pins	2	

- (1) Stresses beyond those listed under *absolute maximum ratings* may cause permanent damage to the device. These are stress ratings only, and functional operation of the device at these or any other conditions beyond those indicated under *recommended operating conditions* is not implied. Exposure to absolute-maximum-rated conditions for extended periods may affect device reliability.

### THERMAL INFORMATION

THERMAL METRIC <sup>(1)</sup>		bq27510-G2	UNITS
		DRZ (12-PINS)	
θ <sub>JA</sub>	Junction-to-ambient thermal resistance	64.1	°C/W
θ <sub>JCtop</sub>	Junction-to-case (top) thermal resistance	59.8	
θ <sub>JB</sub>	Junction-to-board thermal resistance	52.7	
ψ <sub>JT</sub>	Junction-to-top characterization parameter	0.3	
ψ <sub>JB</sub>	Junction-to-board characterization parameter	28.3	
θ <sub>JCbot</sub>	Junction-to-case (bottom) thermal resistance	2.4	

- (1) For more information about traditional and new thermal metrics, see the *IC Package Thermal Metrics* application report, [SPRA953](#).

### RECOMMENDED OPERATING CONDITIONS

T<sub>A</sub> = 25°C, V<sub>CC</sub> = 2.5 V (unless otherwise noted)

PARAMETER		TEST CONDITION	MIN	TYP	MAX	UNIT
V <sub>REGIN</sub>	Supply voltage	No operating restrictions	2.7		5.5	V
		No FLASH writes	2.45		2.7	
C <sub>REG25</sub>	External REG25 capacitor	C <sub>REG25</sub>	0.47			μF
t <sub>PUCD</sub>	Power Up Communication Delay			250		ms
I <sub>CC</sub>	Normal operating mode current	Fuel gauge in NORMAL mode, I <sub>LOAD</sub> > <b>Sleep Current</b>		103		μA
I <sub>SLP</sub>	Low-power operating mode current	Fuel gauge in SLEEP mode. I <sub>LOAD</sub> < <b>Sleep Current</b>		18		μA
I <sub>SLP+</sub>	Low-power operating mode current	Fuel gauge in SLEEP+ mode. I <sub>LOAD</sub> < <b>Sleep Current</b>		60		μA
I <sub>HIB</sub>	Hibernate operating mode current	Fuel gauge in HIBERNATE mode. I <sub>LOAD</sub> < <b>Hibernate Current</b>		4		μA
V <sub>OL</sub>	Output voltage low (SDA, BAT_LOW, BI/TOUT)	I <sub>OL</sub> = 0.5 mA			0.4	V
V <sub>OH(PP)</sub>	Output high voltage (BAT_LOW)	I <sub>OH</sub> = -1 mA	V <sub>CC</sub> -0.5			V
V <sub>OH(OD)</sub>	Output high voltage (SDA, SCL, BI/TOUT)	External pull-up resistor connected to V <sub>CC</sub>	V <sub>CC</sub> -0.5			V
V <sub>IL</sub>	Input voltage low (SDA, SCL)		-0.3		0.6	V
	Input voltage low (BI/TOUT)	BAT INSERT CHECK MODE active	-0.3		0.6	
V <sub>IH(OD)</sub>	Input voltage high (SDA, SCL)		1.2		6	V
	Input voltage high (BI/TOUT)	BAT INSERT CHECK MODE active	1.2		6	
V <sub>A1</sub>	Input voltage range (TS)		V <sub>SS</sub> -0.125		2	V
V <sub>A2</sub>	Input voltage range (BAT)		V <sub>SS</sub> -0.125		5	V

## RECOMMENDED OPERATING CONDITIONS (continued)

$T_A = 25^\circ\text{C}$ ,  $V_{CC} = 2.5\text{ V}$  (unless otherwise noted)

PARAMETER		TEST CONDITION	MIN	TYP	MAX	UNIT
$V_{A3}$	Input voltage range (SRP, SRN)		$V_{SS}-0.125$		0.125	V
$t_{PUCD}$	Power-up communication delay			250		ms
$T_A$	Operating free-air temperature range		-40		85	$^\circ\text{C}$

## 2.5 V LDO (1)

$T_A = 25^\circ\text{C}$ ,  $C_{REG} = 0.47\ \mu\text{F}$ ,  $V_{REGIN} = 3.6\text{ V}$  (unless otherwise noted)

PARAMETER		TEST CONDITION	MIN	NOM	MAX	UNIT	
$V_{REG25}$	Regulator output voltage	$2.7\text{ V} \leq V_{REGIN} \leq 5.5\text{ V}$ , $I_{OUT} \leq 16\text{ mA}$	$T_A = -40^\circ\text{C}$ to $85^\circ\text{C}$	2.4	2.5	2.6	V
		$2.45\text{ V} \leq V_{REGIN} < 2.7\text{ V}$ (low battery), $I_{OUT} \leq 3\text{ mA}$	$T_A = -40^\circ\text{C}$ to $85^\circ\text{C}$	2.40			V
$V_{DO}$	Regulator dropout voltage	$2.7\text{ V}$ , $I_{OUT} \leq 16\text{ mA}$	$T_A = -40^\circ\text{C}$ to $85^\circ\text{C}$		280		mV
		$2.45\text{ V}$ , $I_{OUT} \leq 3\text{ mA}$			50		
$\Delta V_{REGTEMP}$	Regulator output change with temperature	$V_{REGIN} = 3.6\text{ V}$ , $I_{OUT} = 16\text{ mA}$	$T_A = -40^\circ\text{C}$ to $85^\circ\text{C}$	0.3%			
$\Delta V_{REGLINE}$	Line regulation	$2.7\text{ V} \leq V_{REGIN} \leq 5.5\text{ V}$ , $I_{OUT} = 16\text{ mA}$		11	25	mV	
$\Delta V_{REGLOAD}$	Load regulation	$0.2\text{ mA} \leq I_{OUT} \leq 3\text{ mA}$ , $V_{REGIN} = 2.45\text{ V}$		34	40	mV	
		$3\text{ mA} \leq I_{OUT} \leq 16\text{ mA}$ , $V_{REGIN} = 2.7\text{ V}$		31			
$I_{SHORT}^{(2)}$	Short circuit current limit	$V_{REG25} = 0\text{ V}$	$T_A = -40^\circ\text{C}$ to $85^\circ\text{C}$		250	mA	

(1) LDO output current,  $I_{OUT}$ , is the sum of internal and external load currents.

(2) Assured by design. Not production tested.

## POWER-ON RESET

$T_A = -40^\circ\text{C}$  to  $85^\circ\text{C}$ , typical values at  $T_A = 25^\circ\text{C}$  and  $V_{BAT} = 3.6\text{ V}$  (unless otherwise noted)

PARAMETER		TEST CONDITIONS	MIN	TYP	MAX	UNIT
$V_{IT+}$	Positive-going battery voltage input at $V_{CC}$		2.05	2.20	2.31	V
$V_{HYS}$	Power-on reset hysteresis		45	115	185	mV

## INTERNAL TEMPERATURE SENSOR CHARACTERISTICS

$T_A = -40^\circ\text{C}$  to  $85^\circ\text{C}$ ,  $2.4\text{ V} < V_{CC} < 2.6\text{ V}$ ; typical values at  $T_A = 25^\circ\text{C}$  and  $V_{CC} = 2.5\text{ V}$  (unless otherwise noted)

PARAMETER		TEST CONDITIONS	MIN	TYP	MAX	UNIT
$G_{TEMP}$	Temperature sensor voltage gain			-2		mV/ $^\circ\text{C}$

## HIGH FREQUENCY OSCILLATOR

$T_A = -40^\circ\text{C}$  to  $85^\circ\text{C}$ ,  $2.4\text{ V} < V_{CC} < 2.6\text{ V}$ ; typical values at  $T_A = 25^\circ\text{C}$  and  $V_{CC} = 2.5\text{ V}$  (unless otherwise noted)

PARAMETER		TEST CONDITIONS	MIN	TYP	MAX	UNIT
$f_{OSC}$	Operating frequency			2.097		MHz
$f_{EIO}$	Frequency error <sup>(1) (2)</sup>	$T_A = 0^\circ\text{C}$ to $60^\circ\text{C}$	-2.0%	0.38%	2.0%	
		$T_A = -20^\circ\text{C}$ to $70^\circ\text{C}$	-3.0%	0.38%	3.0%	
		$T_A = -40^\circ\text{C}$ to $85^\circ\text{C}$	-4.5%	0.38%	4.5%	
$t_{SXO}$	Start-up time <sup>(3)</sup>			2.5	5	ms

(1) The frequency error is measured from 2.097 MHz.

(2) The frequency drift is included and measured from the trimmed frequency at  $V_{CC} = 2.5\text{ V}$ ,  $T_A = 25^\circ\text{C}$ .

(3) The startup time is defined as the time it takes for the oscillator output frequency to be  $\pm 3\%$  of typical oscillator frequency.

## LOW FREQUENCY OSCILLATOR

 $T_A = -40^{\circ}\text{C}$  to  $85^{\circ}\text{C}$ ,  $2.4\text{ V} < V_{CC} < 2.6\text{ V}$ ; typical values at  $T_A = 25^{\circ}\text{C}$  and  $V_{CC} = 2.5\text{ V}$  (unless otherwise noted)

PARAMETER		TEST CONDITIONS	MIN	TYP	MAX	UNIT
$f_{\text{OSC}}$	Operating frequency			32.768		KHz
$f_{\text{EIO}}$	Frequency error <sup>(1) (2)</sup>	$T_A = 0^{\circ}\text{C}$ to $60^{\circ}\text{C}$	-1.5%	0.25%	1.5%	
		$T_A = -20^{\circ}\text{C}$ to $70^{\circ}\text{C}$	-2.5%	0.25%	2.5%	
		$T_A = -40^{\circ}\text{C}$ to $85^{\circ}\text{C}$	-4.0%	0.25%	4.0%	
$t_{\text{SXO}}$	Start-up time <sup>(3)</sup>			500		$\mu\text{s}$

(1) The frequency drift is included and measured from the trimmed frequency at  $V_{CC} = 2.5\text{ V}$ ,  $T_A = 25^{\circ}\text{C}$ .

(2) The frequency error is measured from 32.768 KHz.

(3) The startup time is defined as the time it takes for the oscillator output frequency to be  $\pm 3\%$  of typical oscillator frequency.

## INTEGRATING ADC (COULOMB COUNTER) CHARACTERISTICS

 $T_A = -40^{\circ}\text{C}$  to  $85^{\circ}\text{C}$ ,  $2.4\text{ V} < V_{CC} < 2.6\text{ V}$ ; typical values at  $T_A = 25^{\circ}\text{C}$  and  $V_{CC} = 2.5\text{ V}$  (unless otherwise noted)

PARAMETER		TEST CONDITIONS	MIN	TYP	MAX	UNIT
$V_{\text{SR\_IN}}$	Input voltage range, $V_{\text{(SRN)}}$ and $V_{\text{(SRP)}}$	$V_{\text{SR}} = V_{\text{(SRN)}} - V_{\text{(SRP)}}$	-0.125		0.125	V
$t_{\text{SR\_CONV}}$	Conversion time	Single conversion		1		s
	Resolution		14		15	bits
$V_{\text{SR\_OS}}$	Input offset			10		$\mu\text{V}$
$I_{\text{NL}}$	Integral nonlinearity error			$\pm 0.007$	$\pm 0.034$	%FSR
$Z_{\text{SR\_IN}}$	Effective input resistance <sup>(1)</sup>		2.5			M $\Omega$
$I_{\text{SR\_LKG}}$	Input leakage current <sup>(1)</sup>				0.3	$\mu\text{A}$

(1) Assured by design. Not production tested.

## ADC (TEMPERATURE AND CELL MEASUREMENT) CHARACTERISTICS

 $T_A = -40^{\circ}\text{C}$  to  $85^{\circ}\text{C}$ ,  $2.4\text{ V} < V_{CC} < 2.6\text{ V}$ ; typical values at  $T_A = 25^{\circ}\text{C}$  and  $V_{CC} = 2.5\text{ V}$  (unless otherwise noted)

PARAMETER		TEST CONDITIONS	MIN	TYP	MAX	UNIT
$V_{\text{ADC\_IN}}$	Input voltage range		-0.2		1	V
$t_{\text{ADC\_CONV}}$	Conversion time				125	ms
	Resolution		14		15	bits
$V_{\text{ADC\_OS}}$	Input offset			1		mV
$Z_{\text{ADC1}}$	Effective input resistance (TS) <sup>(1)</sup>		8			M $\Omega$
$Z_{\text{ADC2}}$	Effective input resistance (BAT) <sup>(1)</sup>	bq27510-G2 not measuring cell voltage	8			M $\Omega$
		bq27510-G2 measuring cell voltage		100		k $\Omega$
$I_{\text{ADC\_LKG}}$	Input leakage current <sup>(1)</sup>				0.3	$\mu\text{A}$

(1) Assured by design. Not production tested.

## DATA FLASH MEMORY CHARACTERISTICS

 $T_A = -40^{\circ}\text{C}$  to  $85^{\circ}\text{C}$ ,  $2.4\text{ V} < V_{CC} < 2.6\text{ V}$ ; typical values at  $T_A = 25^{\circ}\text{C}$  and  $V_{CC} = 2.5\text{ V}$  (unless otherwise noted)

PARAMETER		TEST CONDITIONS	MIN	TYP	MAX	UNIT
$t_{\text{DR}}$	Data retention <sup>(1)</sup>		10			Years
	Flash programming write-cycles <sup>(1)</sup>		20,000			Cycles
$t_{\text{WORDPROG}}$	Word programming time <sup>(1)</sup>				2	ms
$I_{\text{CCPROG}}$	Flash-write supply current <sup>(1)</sup>			5	10	mA

(1) Assured by design. Not production tested.

### 400 kHz I<sup>2</sup>C-COMPATIBLE INTERFACE COMMUNICATION TIMING CHARACTERISTICS

T<sub>A</sub> = -40°C to 85°C, 2.4 V < V<sub>CC</sub> < 2.6 V; typical values at T<sub>A</sub> = 25°C and V<sub>CC</sub> = 2.5 V (unless otherwise noted)

PARAMETER	TEST CONDITIONS	MIN	TYP	MAX	UNIT
t <sub>r</sub>	SCL/SDA rise time			300	ns
t <sub>f</sub>	SCL/SDA fall time			300	ns
t <sub>w(H)</sub>	SCL pulse width (high)	600			ns
t <sub>w(L)</sub>	SCL pulse width (low)	1.3			μs
t <sub>su(STA)</sub>	Setup for repeated start	600			ns
t <sub>d(STA)</sub>	Start to first falling edge of SCL	600			ns
t <sub>su(DAT)</sub>	Data setup time	100			ns
t <sub>h(DAT)</sub>	Data hold time	0			ns
t <sub>su(STOP)</sub>	Setup time for stop	600			ns
t <sub>BUF</sub>	Bus free time between stop and start	66			μs
f <sub>SCL</sub>	Clock frequency			400	kHz

### 100 kHz I<sup>2</sup>C-COMPATIBLE INTERFACE COMMUNICATION TIMING CHARACTERISTICS

T<sub>A</sub> = -40°C to 85°C, 2.4 V < V<sub>CC</sub> < 2.6 V; typical values at T<sub>A</sub> = 25°C and V<sub>CC</sub> = 2.5 V (unless otherwise noted)

PARAMETER	TEST CONDITIONS	MIN	TYP	MAX	UNIT
t <sub>r</sub>	SCL/SDA rise time			1	μs
t <sub>f</sub>	SCL/SDA fall time			300	ns
t <sub>w(H)</sub>	SCL pulse width (high)	4			μs
t <sub>w(L)</sub>	SCL pulse width (low)	4.7			μs
t <sub>su(STA)</sub>	Setup for repeated start	4.7			μs
t <sub>d(STA)</sub>	Start to first falling edge of SCL	4			μs
t <sub>su(DAT)</sub>	Data setup time	250			ns
t <sub>h(DAT)</sub>	Data hold time	Receive mode 0 Transmit mode 300			ns
t <sub>su(STOP)</sub>	Setup time for stop	4			μs
t <sub>BUF</sub>	Bus free time between stop and start	4.7			μs
f <sub>SCL</sub>	Clock frequency	10		100	kHz
t <sub>BUSERR</sub>	Bus error timeout	17.3		21.2	s

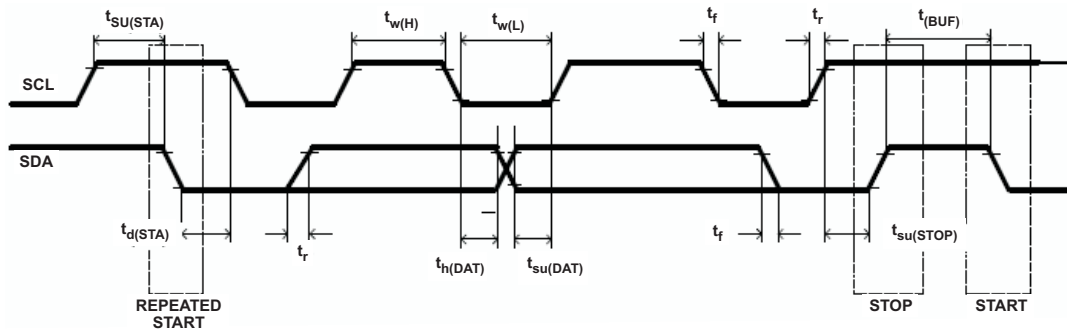


Figure 1. I<sup>2</sup>C-Compatible Interface Timing Diagrams

## GENERAL DESCRIPTION

The bq27510-G2 accurately predicts the battery capacity and other operational characteristics of a single Li-based rechargeable cell. It can be interrogated by a system processor to provide cell information, such as state-of-charge (SOC), time-to-empty (TTE) and time-to-full (TTF).

Information is accessed through a series of commands, called *Standard Commands*. Further capabilities are provided by the additional *Extended Commands* set. Both sets of commands, indicated by the general format *Command( )*, are used to read and write information contained within the bq27510-G2 control and status registers, as well as its data flash locations. Commands are sent from system to gauge using the bq27510-G2's I<sup>2</sup>C serial communications engine, and can be executed during application development, pack manufacture, or end-equipment operation.

Cell information is stored in the bq27510-G2 in non-volatile flash memory. Many of these data flash locations are accessible during application development. They cannot, generally, be accessed directly during end-equipment operation. Access to these locations is achieved by either use of the bq27510-G2's companion evaluation software, through individual commands, or through a sequence of data-flash-access commands. To access a desired data flash location, the correct data flash subclass and offset must be known.

The bq27510-G2 provides 64 bytes of user-programmable data flash memory, partitioned into two 32-byte blocks: **Manufacturer Info Block A** and **Manufacturer Info Block B**. This data space is accessed through a data flash interface. For specifics on accessing the data flash, see section *Manufacturer Information Blocks*.

The key to the bq27510-G2's high-accuracy gas gauging prediction is Texas Instrument's proprietary Impedance Track™ algorithm. This algorithm uses cell measurements, characteristics, and properties to create state-of-charge predictions that can achieve high accuracy across a wide variety of operating conditions and over the lifetime of the battery.

The bq27510-G2 measures charge/discharge activity by monitoring the voltage across a small-value series sense resistor (5 mΩ to 20 mΩ typ.) located between the system's V<sub>SS</sub> and the battery's PACK– terminal. When a cell is attached to the bq27510-G2, cell impedance is computed, based on cell current, cell open-circuit voltage (OCV), and cell voltage under loading conditions.

The bq27510-G2 can use an NTC thermistor (default is Semitec 103AT) for temperature measurement, or can also be configured to use its internal temperature sensor. The bq27510-G2 uses temperature to monitor the battery-pack environment, which is used for fuel gauging and cell protection functionality.

To minimize power consumption, the bq27510-G2 has several power modes: NORMAL, SLEEP, HIBERNATE, and BAT INSERT CHECK. The bq27510-G2 passes automatically between these modes, depending upon the occurrence of specific events, though a system processor can initiate some of these modes directly. More details can be found in Section *Power Modes*.

---

### NOTE

#### FORMATTING CONVENTIONS IN THIS DOCUMENT:

Commands: *italics* with *parentheses* and no breaking spaces, e.g. *RemainingCapacity( )*.

Data Flash: *italics*, **bold**, and *breaking spaces*, e.g. **Design Capacity**.

Register bits and flags: brackets and *italics*, e.g. [TDA]

Data flash bits: brackets, *italics* and **bold**, e.g. [LED1]

Modes and states: ALL CAPITALS, e.g. UNSEALED mode.

---



## DATA COMMANDS

### Standard Data Commands

The bq27510-G2 uses a series of 2-byte standard commands to enable system reading and writing of battery information. Each standard command has an associated command-code pair, as indicated in [Table 1](#). Because each command consists of two bytes of data, two consecutive I<sup>2</sup>C transmissions must be executed both to initiate the command function, and to read or write the corresponding two bytes of data. Additional options for transferring data, such as spooling, are described in Section, *I<sup>2</sup>C INTERFACE*. Standard commands are accessible in NORMAL operation. Read/Write permissions depend on the active access mode, SEALED or UNSEALED (for details on the SEALED and UNSEALED states, refer to Section *Access Modes*.)

**Table 1. Standard Commands**

NAME		COMMAND CODE	UNITS	SEALED ACCESS	UNSEALED ACCESS
<i>Control( )</i>	CNTL	0x00 / 0x01	N/A	R/W	R/W
<i>AtRate( )</i>	AR	0x02 / 0x03	mA	R/W	R/W
<i>AtRateTimeToEmpty( )</i>	ARTTE	0x04 / 0x05	Minutes	R	R
<i>Temperature( )</i>	TEMP	0x06 / 0x07	0.1K	R	R
<i>Voltage( )</i>	VOLT	0x08 / 0x09	mV	R	R
<i>Flags( )</i>	FLAGS	0x0a / 0x0b	N/A	R	R
<i>NominalAvailableCapacity( )</i>	NAC	0x0c / 0x0d	mAh	R	R
<i>FullAvailableCapacity( )</i>	FAC	0x0e / 0x0f	mAh	R	R
<i>RemainingCapacity( )</i>	RM	0x10 / 0x11	mAh	R	R
<i>FullChargeCapacity( )</i>	FCC	0x12 / 0x13	mAh	R	R
<i>AverageCurrent( )</i>	AI	0x14 / 0x15	mA	R	R
<i>TimeToEmpty( )</i>	TTE	0x16 / 0x17	Minutes	R	R
<i>TimeToFull( )</i>	TTF	0x18 / 0x19	Minutes	R	R
<i>StandbyCurrent( )</i>	SI	0x1a / 0x1b	mA	R	R
<i>StandbyTimeToEmpty( )</i>	STTE	0x1c / 0x1d	Minutes	R	R
<i>MaxLoadCurrent( )</i>	MLI	0x1e / 0x1f	mA	R	R
<i>MaxLoadTimeToEmpty( )</i>	MLTTE	0x20 / 0x21	Minutes	R	R
<i>AvailableEnergy( )</i>	AE	0x22 / 0x23	mWhr	R	R
<i>AveragePower( )</i>	AP	0x24 / 0x25	mW	R	R
<i>TTEatConstantPower( )</i>	TTECP	0x26 / 0x27	Minutes	R	R
Reserved	RSVD	0x28 / 0x29	N/A	R	R
<i>CycleCount( )</i>	CC	0x2a / 0x2b	Counts	R	R
<i>StateOfCharge( )</i>	SOC	0x2c / 0x2d	%	R	R

### Control(): 0x00/0x01

Issuing a *Control( )* command requires a subsequent 2-byte subcommand. These additional bytes specify the particular control function desired. The *Control( )* command allows the system to control specific features of the bq27510-G2 during normal operation and additional features when the bq27510-G2 is in different access modes, as described in [Table 2](#).

**Table 2. Control( ) Subcommands**

CNTL FUNCTION	CNTL DATA	SEALED ACCESS	DESCRIPTION
CONTROL_STATUS	0x0000	Yes	Reports the status of DF Checksum, Hibernate, IT, etc.
DEVICE_TYPE	0x0001	Yes	Reports the device type (0x0510)
FW_VERSION	0x0002	Yes	Reports the firmware version on the device type
HW_VERSION	0x0003	Yes	Reports the hardware version of the device type
DF_CHECKSUM	0x0004	No	Enables a data flash checksum to be generated and reports on a read
RESET_DATA	0x0005	No	Returns reset data



**Table 2. Control( ) Subcommands (continued)**

CNTL FUNCTION	CNTL DATA	SEALED ACCESS	DESCRIPTION
Reserved	0x0006	No	Not to be used
PREV_MACWRITE	0x0007	No	Returns previous MAC command code
CHEM_ID	0x0008	Yes	Reports the chemical identifier of the Impedance Track™ configuration
BOARD_OFFSET	0x0009	No	Forces the device to measure and store the board offset
SET_HIBERNATE	0x0011	Yes	Forces CONTROL_STATUS [HIBERNATE] to 1
CLEAR_HIBERNATE	0x0012	Yes	Forces CONTROL_STATUS [HIBERNATE] to 0
SET_SLEEP+	0x0013	Yes	Forces CONTROL_STATUS [SNOOZE] to 1
CLEAR_SLEEP+	0x0014	YES	Forces CONTROL_STATUS [SNOOZE] to 0
SEALED	0x0020	No	Places the bq27510-G2 in SEALED access mode
IT_ENABLE	0x0021	No	Enables the Impedance Track™ algorithm
IF_CHECKSUM	0x0022	No	Reports the instruction flash checksum
CAL_MODE	0x0040	No	Places the bq27510-G2 in calibration mode
RESET	0x0041	No	Forces a full reset of the bq27510-G2

**CONTROL\_STATUS: 0x0000**

Instructs the fuel gauge to return status information to control addresses 0x00/0x01. The status word includes the following information.

**Table 3. CONTROL\_STATUS Bit Definitions**

	bit7	bit6	bit5	bit4	bit3	bit2	bit1	bit0
High Byte	–	FAS	SS	CSV	CCA	BCA	–	–
Low Byte	–	HIBERNATE	SNOOZE	SLEEP	LDMD	RUP_DIS	VOK	QEN

FAS = Status bit indicating the bq27510-G2 is in FULL ACCESS SEALED state. Active when set.

SS = Status bit indicating the bq27510-G2 is in the SEALED State. Active when set.

CSV = Status bit indicating a valid data flash checksum has been generated. Active when set.

CCA = Status bit indicating the bq27510-G2 coulomb counter calibration routine is active. Active when set.

BCA = Status bit indicating the bq27510-G2 board calibration routine is active. Active when set.

HIBERNATE = Status bit indicating a request for entry into HIBERNATE from SLEEP mode. True when set. Default is 0.

SNOOZE = Status bit indicating the bq27510-G2 SLEEP+ mode is enabled. True when set.

SLEEP = Status bit indicating the bq27510-G2 is in SLEEP mode. True when set.

LDMD = Status bit indicating the bq27510-G2 Impedance Track™ algorithm using *constant-power* mode. True when set. Default is 0 (*constant-current* mode).

RUP\_DIS = Status bit indicating the bq27510-G2 Ra table update status. Updates disabled when set..

VOK = Status bit indicating cell voltages are OK for Qmax updates. True when set.

QEN = Status bit indicating the bq27510-G2 Qmax updates enabled. True when set.

**DEVICE\_TYPE: 0x0001**

Instructs the fuel gauge to return the device type to addresses 0x00/0x01.

**FW\_VERSION: 0x0002**

Instructs the fuel gauge to return the firmware version to addresses 0x00/0x01.

**HW\_VERSION: 0x0003**

Instructs the fuel gauge to return the hardware version to addresses 0x00/0x01.

**DF\_CHECKSUM: 0x0004**

Instructs the fuel gauge to compute the checksum of the data flash memory. The checksum value is written and returned to addresses 0x00/0x01 (UNSEALED mode only). The checksum will not be calculated in SEALED mode; however, the checksum value can still be read.

**RESET\_DATA: 0x0005**

Instructs the fuel gauge to return the reset data to addresses 0x00/0x01, with the low byte (0x00) being the number of full resets and the high byte (0x01) the number of partial resets.

**PREV\_MACWRITE: 0x0007**

Instructs the fuel gauge to return the previous command written to addresses 0x00/0x01. The value returned is limited to less than 0x0015.

**CHEM\_ID: 0x0008**

Instructs the fuel gauge to return the chemical identifier for the Impedance Track™ configuration to addresses 0x00/0x01.

**BOARD\_OFFSET: 0x0009**

Instructs the fuel gauge to compute the coulomb counter offset with internal short and then without internal short applied across the SR inputs. The difference between the two measurements is the board offset. After a delay of approximately 32 seconds, this offset value is returned to addresses 0x00/0x01 and written to data flash. The CONTROL\_STATUS [BCA] is also set. The user must prevent any charge or discharge current from flowing during the process. This function is only available when the fuel gauge is UNSEALED. When SEALED, this command only reads back the board-offset value stored in data flash.

**SET\_HIBERNATE: 0x0011**

Instructs the fuel gauge to force the CONTROL\_STATUS [HIBERNATE] bit to 1. This allows the gauge to enter the HIBERNATE power mode after the transition to SLEEP power state is detected. The [HIBERNATE] bit is automatically cleared upon exiting from HIBERNATE mode.

**CLEAR\_HIBERNATE: 0x0012**

Instructs the fuel gauge to force the CONTROL\_STATUS [HIBERNATE] bit to 0. This prevents the gauge from entering the HIBERNATE power mode after the transition to SLEEP power state is detected. It can also be used to force the gauge out of HIBERNATE mode.

**SET\_SLEEP+ : 0X0013**

Instructs the fuel gauge to set the CONTROL\_STATUS [SNOOZE] bit to 1. This enables the SLEEP+ mode. The gauge enters SLEEP+ power mode after the transition conditions are met.

**CLEAR\_SLEEP+ MODE: 0X0014**

Instructs the fuel gauge to set the CONTROL\_STATUS [SNOOZE] bit to 0. This disables the SLEEP+ mode. The gauge exits from the SLEEP+ power mode after the SNOOZE bit is cleared.

**SEALED: 0x0020**

Instructs the fuel gauge to transition from UNSEALED state to SEALED state. The fuel gauge should always be set to SEALED state for use in end equipment.

**IT\_ENABLE: 0x0021**

This command forces the fuel gauge to begin the Impedance Track™ algorithm, sets the bit 2 of *UpdateStatus* and causes the [VOK] and [QEN] flags to be set in the CONTROL\_STATUS register. [VOK] is cleared if the voltages are not suitable for a Qmax update. Once set, [QEN] cannot be cleared. This command is only available when the fuel gauge is UNSEALED.

**CAL\_MODE: 0x0040**

This command instructs the fuel gauge to enter calibration mode. This command is only available when the fuel gauge is UNSEALED.

**RESET : 0x0041**

This command instructs the fuel gauge to perform a full reset. This command is only available when the fuel gauge is UNSEALED.

**AtRate( ): 0x02/0x03**

The *AtRate( )* read-/write-word function is the first half of a two-function command set used to set the *AtRate* value used in calculations made by the *AtRateTimeToEmpty( )* function. The *AtRate( )* units are in mA.

The *AtRate( )* value is a signed integer, with negative values interpreted as a discharge current value. The *AtRateTimeToEmpty( )* function returns the predicted operating time at the *AtRate* value of discharge. The default value for *AtRate( )* is zero and will force *AtRate( )* to return 65,535. Both the *AtRate( )* and *AtRateTimeToEmpty( )* commands should only be used in NORMAL mode.

**AtRateTimeToEmpty( ): 0x04/0x05**

This read-word function returns an unsigned integer value of the predicted remaining operating time if the battery is discharged at the *AtRate( )* value in minutes with a range of 0 to 65,534. A value of 65,535 indicates *AtRate( )* = 0. The fuel gauge updates *AtRateTimeToEmpty( )* within 1 s after the system sets the *AtRate( )* value. The fuel gauge automatically updates *AtRateTimeToEmpty( )* based on the *AtRate( )* value every 1s. Both the *AtRate( )* and *AtRateTimeToEmpty( )* commands should only be used in NORMAL mode.

**Temperature( ): 0x06/0x07**

This read-word function returns an unsigned integer value of the battery temperature in units of 0.1K measured by the fuel gauge and has a range of 0 to 6553.5K.

**Voltage( ): 0x08/0x09**

This read-word function returns an unsigned integer value of the measured cell-pack voltage in mV with a range of 0 to 6000 mV.

**Flags( ): 0x0a/0x0b**

This read-word function returns the contents of the gas-gauge status register, depicting the current operating status.

**Table 4. Flags Bit Definitions**

	bit7	bit6	bit5	bit4	bit3	bit2	bit1	bit0
High Byte	OTC	OTD	–	–	CHG_INH	XCHG	FC	CHG
Low Byte	–	–	OCV_GD	WAIT_ID	BAT_DET	SOC1	SOCF	DSG

OTC = Over-Temperature in charge condition is detected. True when set.

OTD = Over-Temperature in discharge condition is detected. True when set.

CHG\_INH = Charge Inhibit: unable to begin charging (temp outside the range [*Charge Inhibit Temp Low, Charge Inhibit Temp High*]). True when set.

XCHG = Charge Suspend Alert (temp outside the range [*Suspend Temperature Low, Suspend Temperature High*]). True when set.

FC = Full-charged condition reached. True when set.

CHG = (Fast) charging allowed. True when set.

OCV\_GD = Good OCV measurement taken. True when set.

WAIT\_ID = Waiting to identify inserted battery. True when set.

BAT\_DET = Battery detected. True when set.

SOC1 = State-of-Charge-Threshold 1 (**SOC1 Set**) reached. True when set.

SOCF = State-of-Charge-Threshold Final (**SOCF Set %**) reached. True when set.

DSG = Discharging detected. True when set.

### **NominalAvailableCapacity( ): 0x0c/0x0d**

This read-only command pair returns the uncompensated (no load or light load) battery capacity remaining. Units are mAh.

### **FullAvailableCapacity( ): 0x0e/0x0f**

This read-only command pair returns the uncompensated (no load or light load) capacity of the battery when fully charged. Units are mAh. *FullAvailableCapacity( )* is updated at regular intervals, as specified by the IT algorithm.

### **RemainingCapacity( ): 0x10/0x11**

This read-only command pair returns the compensated battery capacity remaining. Units are mAh per bit.

### **FullChargeCapacity( ): 0x12/13**

This read-only command pair returns the compensated capacity of the battery when fully charged. Units are mAh per bit. *FullChargeCapacity( )* is updated at regular intervals, as specified by the IT algorithm.

### **AverageCurrent( ): 0x14/0x15**

This read-only command pair returns a signed integer value that is the average current flow through the sense resistor. It is updated every 1 second. Units are mA per bit.

### **TimeToEmpty( ): 0x16/0x17**

This read-only function returns an unsigned integer value of the predicted remaining battery life at the present rate of discharge, in minutes. A value of 65,535 indicates battery is not being discharged.

### **TimeToFull( ): 0x18/0x19**

This read-only function returns an unsigned integer value of predicted remaining time until the battery reaches full charge, in minutes, based upon *AverageCurrent( )*. The computation accounts for the taper current time extension from the linear TTF computation based on a fixed *AverageCurrent( )* rate of charge accumulation. A value of 65,535 indicates the battery is not being charged.

### **StandbyCurrent( ): 0x1a/0x1b**

This read-only function returns a signed integer value of the measured standby current through the sense resistor. The *StandbyCurrent( )* is an adaptive measurement. Initially it reports the standby current programmed in **Initial Standby**, and after spending some time in standby, reports the measured standby current.

The register value is updated every 1 second when the measured current is above the **Deadband** (3mA default) and is less than or equal to 2 x **Initial Standby**. The first and last values that meet this criteria are not averaged in, since they may not be stable values. To approximate a 1-minute time constant, each new *StandbyCurrent( )* value is computed as follows:

$$\text{StandbyCurrent( )}_{NEW} = (239/256) \times \text{StandbyCurrent( )}_{OLD} + (17/256) \times \text{AverageCurrent( )}$$

### **StandbyTimeToEmpty( ): 0x1c/0x1d**

This read-only function returns an unsigned integer value of the predicted remaining battery life at the standby rate of discharge, in minutes. The computation uses *Nominal Available Capacity* (NAC), the uncompensated remaining capacity, for this computation. A value of 65,535 indicates battery is not being discharged.

**MaxLoadCurrent( ): 0x1e/0x1f**

This read-only function returns a signed integer value, in units of mA, of the maximum load conditions. The *MaxLoadCurrent( )* is an adaptive measurement which is initially reported as the maximum load current programmed in **Initial Max Load Current**. If the measured current is ever greater than *Initial Max Load Current*, then *MaxLoadCurrent( )* updates to the new current. *MaxLoadCurrent( )* is reduced to the average of the previous value and **Initial Max Load Current** whenever the battery is charged to full after a previous discharge to an SOC less than 50%. This prevents the reported value from maintaining an unusually high value.

**MaxLoadTimeToEmpty( ): 0x20/0x21**

This read-only function returns an unsigned integer value of the predicted remaining battery life at the maximum load current discharge rate, in minutes. A value of 65,535 indicates that the battery is not being discharged.

**AvailableEnergy( ): 0x22/0x23**

This read-only function returns an unsigned integer value of the predicted charge or energy remaining in the battery. The value is reported in units of 10mWh.

**AveragePower( ): 0x24/0x25**

This read-only function returns a signed integer value of the average power of the current discharge. It is negative during discharge and positive during charge. A value of 0 indicates that the battery is not being discharged. The value is reported in units of mW.

**TimeToEmptyAtConstantPower( ): 0x26/0x27**

This read-only function returns an unsigned integer value of the predicted remaining operating time if the battery is discharged at the *AveragePower( )* value in minutes. A value of 65,535 indicates *AveragePower( )* = 0. The fuel gauge automatically updates *TimeToEmptyatContantPower( )* based on the *AveragePower( )* value every 1 s.

**CycleCount( ): 0x2a/0x2b**

This read-only function returns an unsigned integer value of the number of cycles the battery has experienced with a range of 0 to 65,535. One cycle occurs when accumulated discharge  $\geq$  **CC Threshold**.

**StateOfCharge( ): 0x2c/0x2d**

This read-only function returns an unsigned integer value of the predicted remaining battery capacity expressed as a percentage of *FullChargeCapacity( )*, with a range of 0 to 100%.

**Extended Data Commands**

Extended commands offer additional functionality beyond the standard set of commands. They are used in the same manner; however unlike standard commands, extended commands are not limited to 2-byte words. The number of command bytes for a given extended command ranges in size from single to multiple bytes, as specified in [Table 5](#). For details on the SEALED and UNSEALED states, see [Section Access Modes](#).

**Table 5. Extended Commands**

NAME		COMMAND CODE	UNITS	SEALED ACCESS <sup>(1)</sup> <sup>(2)</sup>	UNSEALED ACCESS <sup>(1)</sup> <sup>(2)</sup>
Reserved	RSVD	0x34...0x3b	N/A	R	R
<i>DesignCapacity( )</i>	DCAP	0x3c / 0x3d	mAh	R	R
<i>DataFlashClass( )</i> <sup>(2)</sup>	DFCLS	0x3e	N/A	N/A	R/W
<i>DataFlashBlock( )</i> <sup>(2)</sup>	DFBLK	0x3f	N/A	R/W	R/W
<i>BlockData( )</i>	DFD	0x40...0x5f	N/A	R	R/W
<i>BlockDataChecksum( )</i>	DFDCKS	0x60	N/A	R/W	R/W
<i>BlockDataControl( )</i>	DFDCNTL	0x61	N/A	N/A	R/W

(1) SEALED and UNSEALED states are entered via commands to **Control( )** 0x00/0x01

(2) In sealed mode, data flash CANNOT be accessed through commands 0x3e and 0x3f.

**Table 5. Extended Commands (continued)**

NAME		COMMAND CODE	UNITS	SEALED ACCESS <sup>(1)</sup> (2)	UNSEALED ACCESS <sup>(1)</sup> (2)
<i>DeviceNameLength( )</i>	DNAMELEN	0x62	N/A	R	R
<i>DeviceName( )</i>	DNAME	0x63...0x69	N/A	R	R
<i>ApplicationStatus( )</i>	APPSTAT	0x6a	N/A	R	R
Reserved	RSVD	0x6b...0x7f	N/A	R	R

***DesignCapacity( )*: 0x3c/0x3d**

SEALED and UNSEALED Access: This command returns the value is stored in **Design Capacity** and is expressed in mAh. This is intended to be the theoretical or nominal capacity of a new pack, but has no bearing on the operation of the fuel gauge functionality

***DataFlashClass( )*: 0x3e**

UNSEALED Access: This command sets the data flash class to be accessed. The class to be accessed should be entered in hexadecimal.

SEALED Access: This command is not available in SEALED mode.

***DataFlashBlock( )*: 0x3f**

UNSEALED Access: This command sets the data flash block to be accessed. When 0x00 is written to *BlockDataControl( )*, *DataFlashBlock( )* holds the block number of the data flash to be read or written. Example: writing a 0x00 to *DataFlashBlock( )* specifies access to the first 32 byte block and a 0x01 specifies access to the second 32 byte block, and so on.

SEALED Access: This command directs which data flash block will be accessed by the *BlockData( )* command. Writing a 0x01 or 0x02 to *DataFlashBlock( )* specifies the *BlockData( )* command will transfer **Manufacturer Info Block A or B**, respectively.

***BlockData( )*: 0x40...0x5f**

UNSEALED Access: This data block is the remainder of the 32 byte data block when accessing data flash.

SEALED Access: This data block is the remainder of the 32 byte data block when accessing **Manufacturer Block Info A or B**.

***BlockDataChecksum( )*: 0x60**

UNSEALED Access: This byte contains the checksum on the 32 bytes of block data read or written to data flash. The least-significant byte of the sum of the data bytes written must be complemented ( [255 – x] , for x the least-significant byte) before being written to 0x60.

SEALED Access: This byte contains the checksum for the 32 bytes of block data written to **Manufacturer Info Block A or B**. The least-significant byte of the sum of the data bytes written must be complemented ( [255 – x] , for x the least-significant byte) before being written to 0x60.

***BlockDataControl( )*: 0x61**

UNSEALED Access: This command is used to control data flash access mode. Writing 0x00 to this command enables *BlockData( )* to access general data flash. Writing a 0x01 to this command enables SEALED mode operation of *DataFlashBlock( )*.

SEALED Access: This command is not available in SEALED mode.

***DeviceNameLength( )*: 0x62**

UNSEALED and SEALED Access: This byte contains the length of the **Device Name**.

***DeviceName( )*: 0x63...0x69**

UNSEALED and SEALED Access: This block contains the device name that is programmed in **Device Name**



### **ApplicationStatus( ): 0x6a**

This byte function allows the system to read the bq27510-G2 **Application Status** data flash location. Refer to [Table 6](#) for specific bit definitions.

**Reserved – 0x6b – 0x7f**

## **DATA FLASH INTERFACE**

### **Accessing the Data Flash**

The bq27510-G2 data flash is a non-volatile memory that contains bq27510-G2 initialization, default, cell status, calibration, configuration, and user information. The data flash can be accessed in several different ways, depending on what mode the bq27510-G2 is operating in and what data is being accessed.

Commonly accessed data flash memory locations, frequently read by a system, are conveniently accessed through specific instructions, already described in Section *Data Commands*. These commands are available when the bq27510-G2 is either in UNSEALED or SEALED modes.

Most data flash locations, however, are only accessible in UNSEALED mode by use of the bq27510-G2 evaluation software or by data flash block transfers. These locations should be optimized and/or fixed during the development and manufacture processes. They become part of a golden image file and can then be written to multiple battery packs. Once established, the values generally remain unchanged during end-equipment operation.

To access data flash locations individually, the block containing the desired data flash location(s) must be transferred to the command register locations, where they can be read to the system or changed directly. This is accomplished by sending the set-up command *BlockDataControl( )* (0x61) with data 0x00. Up to 32 bytes of data can be read directly from the *BlockData( )* (0x40...0x5f), externally altered, then rewritten to the *BlockData( )* command space. Alternatively, specific locations can be read, altered, and rewritten if their corresponding offsets are used to index into the *BlockData( )* command space. Finally, the data residing in the command space is transferred to data flash, once the correct checksum for the whole block is written to *BlockDataChecksum( )* (0x60).

Occasionally, a data flash CLASS will be larger than the 32-byte block size. In this case, the *DataFlashBlock( )* command is used to designate which 32-byte block the desired locations reside in. The correct command address is then given by  $0x40 + \text{offset} \bmod 32$ . For example, to access **Terminate Voltage** in the *Gas Gauging* class, *DataFlashClass( )* is issued 80 (0x50) to set the class. Because the offset is 48, it must reside in the second 32-byte block. Hence, *DataFlashBlock( )* is issued 0x01 to set the block offset, and the offset used to index into the *BlockData( )* memory area is  $0x40 + 48 \bmod 32 = 0x40 + 16 = 0x40 + 0x10 = 0x50$ .

Reading and writing subclass data are block operations up to 32 bytes in length. If during a write the data length exceeds the maximum block size, then the data is ignored.

None of the data written to memory are bounded by the bq27510-G2– the values are not rejected by the fuel gauge. Writing an incorrect value may result in hardware failure due to firmware program interpretation of the invalid data. The written data is persistent, so a power-on reset does resolve the fault.

## **MANUFACTURER INFORMATION BLOCKS**

The bq27510-G2 contains 64 bytes of user programmable data flash storage: **Manufacturer Info Block A** and **Manufacturer Info Block B**. The method for accessing these memory locations is slightly different, depending on whether the device is in UNSEALED or SEALED modes.

When in UNSEALED mode, and when 0x00 has been written to *BlockDataControl( )*, accessing the Manufacturer Info Blocks is identical to accessing general data flash locations. First, a *DataFlashClass( )* command is used to set the subclass, then a *DataFlashBlock( )* command sets the offset for the first data flash address within the subclass. The *BlockData( )* command codes contain the referenced data flash data. When writing the data flash, a checksum is expected to be received by *BlockDataChecksum( )*. Only when the checksum is received and verified is the data actually written to data flash.



As an example, the data flash location for **Manufacturer Info Block B** is defined as having a Subclass = 58 and an Offset = 32 through 63 (32 byte block). The specification of Class = System Data is not needed to address **Manufacturer Info Block B**, but is used instead for grouping purposes when viewing data flash info in the bq27510-G2 evaluation software.

When in SEALED mode or when 0x01 *BlockDataControl*( ) does not contain 0x00, data flash is no longer available in the manner used in UNSEALED mode. Rather than issuing subclass information, a designated Manufacturer Information Block is selected with the *DataFlashBlock*( ) command. Issuing a 0x01, 0x02, or 0x03 with this command causes the corresponding information block (A, B, or C, respectively) to be transferred to the command space 0x40...0x5f for editing or reading by the system. Upon successful writing of checksum information to *BlockDataChecksum*( ), the modified block is returned to data flash. **Note: Manufacturer Info Block A** is read-only when in SEALED mode.

## ACCESS MODES

The bq27510-G2 provides three security modes (FULL ACCESS, UNSEALED, and SEALED) that control data flash access permissions according to Table 6. *Public Access* refers Data flash to those data flash locations, specified in Table 7, that are accessible to the user. *Private Access* refers to reserved data flash locations used by the bq27510-G2 system. Care should be taken to avoid writing to *Private* data flash locations when performing block writes in *Full Access* mode, by following the procedure outlined in *ACCESSING THE DATAFLASH*.

**Table 6. Data Flash Access**

Security Mode	DF – Public Access	DF – Private Access
FULL ACCESS	R/W	R/W
UNSEALED	R/W	R/W
SEALED	R	N/A

Although FULL ACCESS and UNSEALED modes appear identical, only FULL ACCESS mode allows the bq27510-G2 to write access-mode transition keys.

## SEALING/UNSEALING DATA FLASH

The bq27510-G2 implements a key-access scheme to transition between SEALED, UNSEALED, and FULL-ACCESS modes. Each transition requires that a unique set of two keys be sent to the bq27510-G2 via the *Control*( ) control command. The keys must be sent consecutively, with no other data being written to the *Control*( ) register in between. Note that to avoid conflict, the keys must be different from the codes presented in the *CNTL DATA* column of Table 2 subcommands.

When in SEALED mode the [SS] bit of CONTROL\_STATUS is set, but when the UNSEAL keys are correctly received by the bq27510-G2, the [SS] bit is cleared. When the full-access keys are correctly received then the CONTROL\_STATUS [FAS] bit is cleared.

Both the sets of keys for each level are 2 bytes each in length and are stored in data flash. The UNSEAL key (stored at **Unseal Key 0** and **Unseal Key 1**) and the FULL-ACCESS key (stored at **Full Access Key 0** and **Full Access Key 1**) can only be updated when in FULL-ACCESS mode. The order of the bytes entered through the *Control*( ) command is the reverse of what is read from the part. For example, if the 1st and 2nd word of the **UnSeal Key 0** returns 0x1234 and 0x5678, then *Control*( ) should supply 0x3412 and 0x7856 to unseal the part.

## DATA FLASH SUMMARY

Table 7 summarizes the data flash locations available to the user, including their default, minimum, and maximum values.

**Table 7. Data Flash Summary**

Class	Subclass ID	Subclass	Offset	Name	Data Type	Min Value	Max Value	Default Value	Units
Configuration	2	Safety	0	OT Chg	I2	0	1200	550	0.1°C
Configuration	2	Safety	2	OT Chg Time	U1	0	60	2	s
Configuration	2	Safety	3	OT Chg Recovery	I2	0	1200	500	0.1°C
Configuration	2	Safety	5	OT Dsg	I2	0	1200	600	0.1°C
Configuration	2	Safety	7	OT Dsg Time	U1	0	60	2	s
Configuration	2	Safety	8	OT Dsg Recovery	I2	0	1200	350	0.1°C
Configuration	32	Charge Inhibit Config	0	Charge Inhibit Temp Low	I2	-400	1200	0	0.1°C
Configuration	32	Charge Inhibit Config	2	Charge Inhibit Temp High	I2	-400	1200	450	0.1°C
Configuration	32	Charge Inhibit Config	4	Temp Hys	I2	0	100	50	0.1°C
Configuration	34	Charge	2	Charging Voltage	I2	0	4600	4200	mV
Configuration	34	Charge	4	Delta Temperature	I2	0	500	50	0.1°C
Configuration	34	Charge	6	Suspend Temperature Low	I2	-400	1200	-50	0.1°C
Configuration	34	Charge	8	Suspend Temperature High	I2	-400	1200	550	0.1°C
Configuration	36	Charge Termination	2	Taper Current	I2	0	1000	100	mA
Configuration	36	Charge	4	Minimum Taper Charge	I2	0	1000	25	0.01mAh
Configuration	36	Charge Termination	6	Taper Voltage	I2	0	1000	100	mV
Configuration	36	Charge Termination	8	Current Taper Window	U1	0	60	40	s
Configuration	36	Charge Termination	7	TCA Set %	I1	-1	100	100	%
Configuration	36	Charge Termination	8	TCA Clear %	I1	-1	100	95	%
Configuration	36	Charge Termination	9	FC Set %	I1	-1	100	100	%
Configuration	36	Charge Termination	10	FC Clear %	I1	-1	100	98	%
Configuration	48	Data	4	Initial Standby Current	I1	-128	0	-10	mA
Configuration	48	Data	5	Initial Max Load Current	I2	-32,767	0	-500	mA
Configuration	48	Data	7	CC Threshold	I2	100	32,767	900	mAh
Configuration	48	Data	10	Design Capacity	I2	0	65,535	1000	mAh
<b>Configuration</b>	<b>48</b>	<b>Data</b>	<b>12</b>	<b>Device Name</b>	<b>S8</b>	<b>x</b>	<b>x</b>	<b>bq27510</b>	<b>-</b>
Configuration	49	Discharge	0	SOC1 Set Threshold	U1	0	255	150	mAh
		Discharge	1	SOC1 Clear Threshold	U1	0	255	175	mAh
Configuration	49	Discharge	2	SOCF Set Threshold	U1	0	255	75	mAh
Configuration	49	Discharge	3	SOCF Clear Threshold	U1	0	255	100	mAh
System Data	58	Manufacturer Info	0-31	Block A [0-31]	H1	0x00	0xff	0x00	-
System Data	58	Manufacturer Info	32-63	Block B [0-31]	H1	0x00	0xff	0x00	-
Configuration	64	Registers	0	Operation Configuration	H2	0x0000	0xffff	0x0979	-
Configuration	64	Registers	3	Operation Configuration B	H1	0x00	0xff	0xC0	-
Configuration	64	Registers	4	Batt Insert Delay	U2	0	65535	0	-
Configuration	64	Registers	6	Sleep Insert Delay	U1	0	255	0	-
Configuration	68	Power	0	Flash Update OK Voltage	I2	0	4200	2800	mV
Configuration	68	Power	5	Sleep Current	I2	0	100	10	mA
Configuration	68	Power	14	Hibernate Current	U2	0	700	8	mA
Configuration	68	Power	16	Hibernate Voltage	U2	2400	3000	2550	mV
Gas Gauging	80	IT Cfg	0	Load Select	U1	0	255	1	-
Gas Gauging	80	IT Cfg	1	Load Mode	U1	0	255	0	-
Gas Gauging	80	IT Cfg	23	Ra Filter	U2	0	1000	800	-
Gas Gauging	80	IT Cfg	44	Terminate Voltage	I2	0	32,767	3000	mV
Gas Gauging	80	IT Cfg	47	ResRelax Time	U2	0	65535	200	s
Gas Gauging	80	IT Cfg	49	User Rate-mA	I2	2000	-100	0	mA
Gas Gauging	80	IT Cfg	51	User Rate-mW	I2	-7200	-350	0	10mW

Table 7. Data Flash Summary (continued)

Class	Subclass ID	Subclass	Offset	Name	Data Type	Min Value	Max Value	Default Value	Units
Gas Gauging	80	IT Cfg	53	Reserve Cap-mAh	I2	0	-2000	-100	mAh
Gas Gauging	80	IT Cfg	55	Reserve Cap-mWh	I2	0	14,000	0	10mWh
Gas Gauging	80	IT Cfg	60	Ra Max Delta	U2	0	65535	44	mohms
Gas Gauging	81	Current Thresholds	0	Dsg Current Threshold	I2	0	2000	60	mA
Gas Gauging	81	Current Thresholds	2	Chg Current Threshold	I2	0	2000	75	mA
Gas Gauging	81	Current Thresholds	4	Quit Current	I2	0	1000	40	mA
Gas Gauging	81	Current Thresholds	6	Dsg Relax Time	U2	0	8191	60	s
Gas Gauging	81	Current Thresholds	8	Chg Relax Time	U1	0	255	60	s
Gas Gauging	81	Current Thresholds	9	Quit Relax Time	U1	0	63	1	s
Gas Gauging	81	Current Thresholds	10	Transient Factor Charge	U1	0	255	128	-
Gas Gauging	81	Current Thresholds	11	Transient Factor Discharge	U1	0	255	128	-
Gas Gauging	81	Current Thresholds	12	Max IR Correct	U2	0	1000	400	mV
Gas Gauging	82	State	0	IT Enable	H1	0x00	0xff	0x00	-
Gas Gauging	82	State	1	Application Status	H1	0x00	0xff	0x00	-
Gas Gauging	82	State	2	Qmax 0	I2	0	32,767	1000	mAh
Gas Gauging	82	State	4	Cycle Count 0	U2	0	65,535	0	-
Gas Gauging	82	State	6	Update Status 0	H1	0x00	0x03	0x00	-
Gas Gauging	82	State	7	Qmax 1	I2	0	32,767	1000	mAh
Gas Gauging	82	State	9	Cycle Count 1	U2	0	65,535	0	Count
Gas Gauging	82	State	11	Update Status 1	H1	0x00	0x03	0x00	-
Gas Gauging	82	State	16	Avg I Last Run	I2	-32,768	32,767	-300	mA
Gas Gauging	82	State	18	Avg P Last Run	I2	-32,768	32,767	-1200	mAh
Gas Gauging	82	State	24	T Rise	U2	0	65535	100	-
Gas Gauging	82	State	26	T Time Constant	U2	0	65535	1000	-
Default Ra Tables	87	Def0 Ra	0-18	See <sup>(1)</sup>					
Default Ra Tables	88	Def1 Ra	0-18						
Ra Tables	91	Pack0 Ra	0-18	See <sup>(1)</sup>					
Ra Tables	92	Pack1 Ra	0-18						
Ra Tables	93	Pack0 Rax	0-18						
Ra Tables	94	Pack1 Rax	0-18						
Calibration	104	Data	0	CC Gain	F4	0.1	4	0.47095	-
Calibration	104	Data	4	CC Delta	F4	2,9826	1,193,046	559,538.8	-
Calibration	104	Data	8	CC Offset	I2	-32768	32767	-1200	mV
Calibration	104	Data	10	Board Offset	I1	-128	127	0	mV
Calibration	104	Data	11	Int Temp Offset	I1	-128	127	0	0.1°C
Calibration	104	Data	12	Ext Temp Offset	I1	-128	127	0	0.1°C
Calibration	104	Data	13	Pack V Offset	I1	-128	127	0	mV
Calibration	106	Temp Model	0-6	See <sup>(1)</sup>					
Calibration	107	Current	1	Deadband	U1	0	255	5	mA
Security	112	Codes	0	Unseal Key 0	H2	0x0000	0xffff	0x3672	-
Security	112	Codes	2	Unseal Key 1	H2	0x0000	0xffff	0x0414	-
Security	112	Codes	4	Full-Access Key 0	H2	0x0000	0xffff	0xffff	-
Security	112	Codes	6	Full-Access Key 1	H2	0x0000	0xffff	0xffff	-

(1) Encoded battery profile information created by bqEasy software.

## FUNCTIONAL DESCRIPTION

### FUEL GAUGING

The bq27510-G2 measures the cell voltage, temperature, and current to determine battery SOC. The bq27510-G2 monitors charge and discharge activity by sensing the voltage across a small-value resistor (5 mΩ to 20 mΩ typ.) between the SRP and SRN pins and in series with the cell. By integrating charge passing through the battery, the battery's SOC is adjusted during battery charge or discharge.

The total battery capacity is found by comparing states of charge before and after applying the load with the amount of charge passed. When an application load is applied, the impedance of the cell is measured by comparing the OCV obtained from a predefined function for present SOC with the measured voltage under load. Measurements of OCV and charge integration determine chemical state of charge and chemical capacity (Qmax). The initial Qmax values are taken from a cell manufacturers' data sheet multiplied by the number of parallel cells. It is also used for the value in **Design Capacity**. The bq27510-G2 acquires and updates the battery-impedance profile during normal battery usage. It uses this profile, along with SOC and the Qmax value, to determine *FullChargeCapacity()* and *StateOfCharge()*, specifically for the present load and temperature. *FullChargeCapacity()* is reported as capacity available from a fully charged battery under the present load and temperature until *Voltage()* reaches the **Term Voltage**. *NominalAvailableCapacity()* and *FullAvailableCapacity()* are the uncompensated (no or light load) versions of *RemainingCapacity()* and *FullChargeCapacity()* respectively.

The bq27510-G2 has two flags accessed by the *Flags()* function that warns when the battery's SOC has fallen to critical levels. When *RemainingCapacity()* falls below the first capacity threshold, specified in **SOC1 Set Threshold**, the *[SOC1]* (*State of Charge Initial*) flag is set. The flag is cleared once *RemainingCapacity()* rises above **SOC1 Set Threshold**. The bq27510-G2's BAT\_LOW pin automatically reflects the status of the *[SOC1]* flag. All units are in mAh.

When *RemainingCapacity()* falls below the second capacity threshold, **SOCF Set Threshold**, the *[SOCF]* (*State of Charge Final*) flag is set, serving as a final discharge warning. If **SOCF Set Threshold** = -1, the flag is inoperative during discharge. Similarly, when *RemainingCapacity()* rises above **SOCF Clear Threshold** and the *[SOCF]* flag has already been set, the *[SOCF]* flag is cleared. All units are in mAh.

### IMPEDANCE TRACK™ VARIABLES

The bq27510-G2 has several data flash variables that permit the user to customize the Impedance Track™ algorithm for optimized performance. These variables are dependent upon the power characteristics of the application as well as the cell itself.

#### Load Mode

*Load Mode* is used to select either the constant-current or constant-power model for the Impedance Track™ algorithm as used in **Load Select** (see **Load Select**). When **Load Mode** is 0, the *Constant Current Model* is used (default). When **Load Mode** is 1, the *Constant Power Model* is used. The *[LDMD]* bit of CONTROL\_STATUS reflects the status of **Load Mode**.

## Load Select

**Load Select** defines the type of power or current model to be used to compute load-compensated capacity in the Impedance Track™ algorithm. If **Load Mode** = 0 (*Constant Current*), then the options presented in Table 8 are available.

**Table 8. Constant-Current Model Used When Load Mode = 0**

LoadSelect Value	Current Model Used
0	Average discharge current from previous cycle: There is an internal register that records the average discharge current through each entire discharge cycle. The previous average is stored in this register.
1(default)	Present average discharge current: This is the average discharge current from the beginning of this discharge cycle until present time.
2	Average current: based off the <b>AverageCurrent( )</b>
3	Current: based off of a low-pass-filtered version of <b>AverageCurrent( )</b> ( $\tau=14s$ )
4	Design capacity / 5: C Rate based off of Design Capacity /5 or a C / 5 rate in mA.
5	AtRate (mA): Use whatever current is in <b>AtRate( )</b>
6	User_Rate-mA: Use the value in <b>User_Rate( )</b> . This gives a completely user-configurable method.

If **Load Mode** = 1 (*Constant Power*) then the following options are available:

**Table 9. Constant-Power Model Used When Load Mode = 1**

LoadSelect Value	Current Model Used
0(default)	Average discharge power from previous cycle: There is an internal register that records the average discharge power through each entire discharge cycle. The previous average is stored in this register.
1	Present average discharge power: This is the average discharge power from the beginning of this discharge cycle until present time.
2	Average current x voltage: based off the <b>AverageCurrent( )</b> and <b>Voltage( )</b> .
3	Current x voltage: based off of a low-pass-filtered version of <b>AverageCurrent( )</b> ( $\tau=14s$ ) and <b>Voltage( )</b> .
4	Design energy / 5: C Rate based off of Design Energy /5 or a C / 5 rate in mA.
5	AtRate (10 mW): Use whatever current is in <b>AtRate( )</b>
6	User_Rate-10 mW: Use the value in <b>User_Rate( )</b> mW. This gives a completely user-configurable method.

## Reserve Cap-mAh

**Reserve Cap-mAh** determines how much actual remaining capacity exists after reaching 0 **RemainingCapacity( )**, before **Terminate Voltage** is reached.

## Reserve Cap-mWh

**Reserve Cap-mWh** determines how much actual remaining capacity exists after reaching 0 **AvailableEnergy( )**, before **Terminate Voltage** is reached.

## Dsg Current Threshold

This register is used as a threshold by many functions in the bq27510-G2 to determine if actual discharge current is flowing into or out of the cell. The default for this register is 60 mA which should be sufficient for most applications. This threshold should be set low enough to be below any normal application load current but high enough to prevent noise or drift from affecting the measurement.

## Chg Current Threshold

This register is used as a threshold by many functions in the bq27510-G2 to determine if actual charge current is flowing into or out of the cell. The default for this register is 75 mA which should be sufficient for most applications. This threshold should be set low enough to be below any normal charge current but high enough to prevent noise or drift from affecting the measurement.

## Quit Current, Dsg Relax Time, Chg Relax Time, and Quit Relax Time

The **Quit Current** is used as part of the Impedance Track™ algorithm to determine when the bq27510-G2 enters relaxation mode from a current flowing mode in either the charge direction or the discharge direction. The value of Quit Current is set to a default value of 40 mA and should be above the standby current of the system.

Either of the following criteria must be met to enter relaxation mode:

1.  $|AverageCurrent()| < |Quit\ Current|$  for **Dsg Relax Time**
2.  $|AverageCurrent()| > |Quit\ Current|$  for **Chg Relax Time**

After about 30 minutes in relaxation mode, the bq27510-G2 attempts to take accurate OCV readings. An additional requirement of  $dV/dt$  4  $\mu$ V/sec is required for the bq27510-G2 to perform Qmax updates. These updates are used in the Impedance Track™ algorithms. It is critical that the battery voltage be relaxed during OCV readings to and that the current is not be higher than C/20 when attempting to go into relaxation mode.

**Quit Relax Time** specifies the minimum time required for *AverageCurrent()* to remain above the **QuitCurrent** threshold before exiting relaxation mode.

## Qmax 0 and Qmax 1

Generically called *Qmax*, these dynamic variables contain the respective maximum chemical capacity of the active cell profiles, and are determined by comparing states of charge before and after applying the load with the amount of charge passed. They also correspond to capacity at very low rate of discharge, such as C/20 rate. For high accuracy, this value is periodically updated by the bq27510-G2 during operation. Based on the battery cell capacity information, the initial value of chemical capacity should be entered in the **Qmax n** field for each default cell profile. The Impedance Track™ algorithm updates these values and maintains them in the associated actual cell profiles.

## Update Status 0, Update Status 1

Bit 0 (0x01) of the **Update Status n** registers indicates that the bq27510-G2 has learned new Qmax parameters and is accurate. The remaining bits are reserved. Bits 0 is a status flag that can be set by the bq27510-G2 although a user can modify it. Bit 0 should never be modified except when creating a golden image file as explained in the application note [Preparing Optimized Default Flash Constants for specific Battery Types \(SLUA334.pdf\)](#). Bit 0 is updated as needed by the bq27510-G2.

## Avg I Last Run

The bq27510-G2 logs the current averaged from the beginning to the end of each discharge cycle. It stores this average current from the previous discharge cycle in this register. This register should never need to be modified. It is only updated by the bq27510-G2 when required.

## Avg P Last Run

The bq27510-G2 logs the power averaged from the beginning to the end of each discharge cycle. It stores this average power from the previous discharge cycle in this register. To get a correct average power reading the bq27510-G2 continuously multiplies instantaneous current times **Voltage()** to get power. It then logs this data to derive the average power. This register should never need to be modified. It is only updated by the bq27510-G2 when required.

## Delta Voltage

The bq27510-G2 stores the maximum difference of *Voltage()* during short load spikes and normal load, so the Impedance Track™ algorithm can calculate remaining capacity for pulsed loads. It is not recommended to change this value.

## Batt Insert Delay, Sleep Insert Delay

The *Batt Insert Delay* setting delays the bq27510-G2 detection process after battery insertion. *Sleep Insert Delay* specifies the delay before the gauge enters Sleep Mode after battery insertion. For proper operation, set Sleep Insert Delay greater than *Batt Insert Delay*. For example, with *Batt Insert Delay* = 10 s (10,000ms) and *Sleep Insert Delay* = 15 s, the bq27510-G2 does not enter SLEEP mode before 5 seconds after the battery detection.



## Default Ra and Ra Tables

These tables contain encoded data and, with the exception of the **Default Ra Tables**, are automatically updated during device operation. No user changes should be made except for reading/writing the values from a pre-learned pack (part of the process for creating golden image files).

## DETAILED PIN DESCRIPTIONS

### The Operation Configuration Register

Some bq27510-G2 pins are configured via the **Operation Configuration** data flash register, as indicated in Table 5 3. This register is programmed/read via the methods described in Section *Accessing the Data Flash*. The register is located at subclass = 64, offset = 0.

**Table 10. Operation Configuration Bit Definition**

	bit7	bit6	bit5	bit4	bit3	bit2	bit1	bit0
High Byte	RESCAP	BATG_OVR	I2C_NACK	PFC_CFG1	PFC_CFG0	IWAKE	RSNS1	RSNS0
Low Byte	GNDSEL	IDSELEN	SLEEP	RMFCC	BATL_POL	BATG_POL	BAT_FN	TEMPS

RESCAP = No-load rate of compensation is applied to the reserve capacity calculation. True when set. Default is 0.

BATG\_OVR = BAT\_GD override bit. If the gauge enters Hibernate only due to the cell voltage, the BAT\_GD will not negate. True when set. Default is 0.

I2C\_NACK = I2C clock stretch control during data flash update. When this bit is set, the I2C engine clock stretch is disabled and NACK commands. When this bit is cleared, the I2C engine clock stretch is enabled. Default is 0.

PFC\_CFG1/PFC\_CFG0 = Pin function code (PFC) mode selection: PFC 0, 1, or 2 selected by 0/0, 0/1, or 1/0, respectively. Default is PFC 1 (0/1).

IWAKE/RSNS1/RSNS0 = These bits configure the current wake function (see Table 12). Default is 0/0/1.

GNDSEL = The ADC ground select control. The Vss (Pin 6) is selected as ground reference when the bit is clear. Pin 7 is selected when the bit is set. Default is 0.

IDSELEN = Enables cell profile selection feature. True when set. Default is 1.

SLEEP = The fuel gauge can enter sleep, if operating conditions allow. True when set. Default is 1.

RMFCC = RM is updated with the value from FCC, on valid charge termination. True when set. Default is 1

BATL\_POL = BAT\_LOW pin is active-high. True when set. Default is 1.

BATG\_POL = BAT\_LOW/BAT\_GD pin is active-low. True when cleared. Default is 0.

BAT\_FN = Selects BAT\_LOW (bit clear) or /BAT\_GD (bit set) function on pin 12. Default is 0.

TEMPS = Selects external thermistor for Temperature ( ) measurements. True when set. Default is 1.

Some bq27510-G2 pins are configured via the **Operation Configuration B** data flash register, as indicated in Table 11. This register is programmed/read via the methods described in Section 4.2.1: Accessing the Data Flash. The register is located at subclass =64, offset = 0.

**Table 11. Operation Configuration B Bit Definition**

bit7	bit6	bit5	bit4	bit3	bit2	bit1	bit0
RFACTSTEP	SLPWKCHG	--	--	--	--	--	--

RFACTSTEP = Use min and max res factor to limit resistance change. True when set.

SLPWKCHG = Accumulates an extra 10 second x AverageCurrent() coulomb when waking from Sleep due to AverageCurrent() > Sleep Current . True when set. Default is 1.

### Pin Function Code Descriptions

The bq27510-G2 has three possible pin-function variations that can be selected in accordance with the circuit architecture of the end application. Each variation has been assigned a pin function code, or PFC.

When the PFC is set to 0, the bq27510-G2 measures battery temperature under all conditions.



A PFC of 1 is like a PFC of 0, except the BAT\_LOW/BAT\_GD pin is used to signal temperature thresholds during charge. If charging temperature falls outside of the preset range defined in data flash, a charger can be disabled via the BAT\_LOW/BAT\_GD pin, until cell temperature recovers. See [Charge Inhibit](#) for additional details.

Finally when the PFC is set to 2, the battery thermistor can be shared between the fuel gauge and the charger. The charger has full usage of the thermistor during battery charging, while the fuel gauge uses the thermistor exclusively during discharge and battery relaxation. Thus temperature is not measured during charge. Note that removing the battery while charging will not result in BAT\_DET clearing if PFC = 2.

The PFC is specified in **Operation Configuration [PFC\_CFG1, PFC\_CFG0]**. The default is PFC = 1.

### BAT\_LOW/BAT\_GD Pin

The BAT\_LOW/BAT\_GD is a multiplex pin. The function is defined by **[BAT\_FN]** as a system processor with an electrical indicator of battery status. If the BAT\_LOW function is activated, the signaling on the multiplexed pin follows the status of the **[SOC1]** bit in the **Flags()** register. Note that the polarity of the pin output can be inverted via the **[BATL\_POL]** bit of the **Operation Configuration**.

The bq27510-G2 must operate in conjunction with other electronics in a system appliance, such as chargers or other ICs and application circuits that draw appreciable power. After a battery is inserted into the system, there should be no charging or discharging current higher than C/20, so that an accurate OCV can be read. The OCV is used for helping determine which battery profile to use, as it constitutes part of the battery impedance measurement.

When a battery is inserted into a system, the Impedance Track™ algorithm requires that no charging of the battery takes place and that any discharge is limited to less than C/20—these conditions are sufficient for the fuel gauge to take an accurate OCV reading. To disable these functions, the BAT\_LOW/BAT\_GD pin is merely set high (floating output pulled high). Once an OCV reading has been made, the BAT\_LOW/BAT\_GD pin is pulled low, thereby enabling battery charging and regular discharge of the battery. The **Operation Configuration [BATG\_POL]** bit can be used to set the polarity of the battery good signal, should the default configuration need to be changed.

The flowchart of [Figure 2](#) details how the BAT\_LOW/BAT\_GD pin functions in the context of battery insertion and removal, as well as NORMAL vs. SLEEP modes when **[BAT\_FN]** is set.

In PFC 1, the BAT\_LOW/BAT\_GD pin is also used to disable battery charging when the bq27510-G2 reads battery temperatures outside the range defined by **[Charge Inhibit Temp Low, Charge Inhibit Temp High]**. The BAT\_LOW/BAT\_GD line is returned to "low" once temperature falls within the range **[Charge Inhibit Temp Low + Temp Hys, Charge Inhibit Temp High – Temp Hys]**.

### Battery Detection using the BI/TOUT Pin

During power-up or hibernate activities, or any other activity where the bq27510-G2 needs to determine whether a battery is connected or not, the fuel gauge applies a test for battery presence. First, the BI/TOUT pin is put into high-Z status. The weak 1.8MΩ pull-up resistor will keep the pin high while no battery is present. When a battery is inserted (or is already inserted) into the system device, the BI/TOUT pin will be pulled low. This state is detected by the fuel gauge, which polls this pin every second when the gauge has power. A *battery-disconnected* status is assumed when the bq27510-G2 reads a thermistor voltage that is near 2.5V.

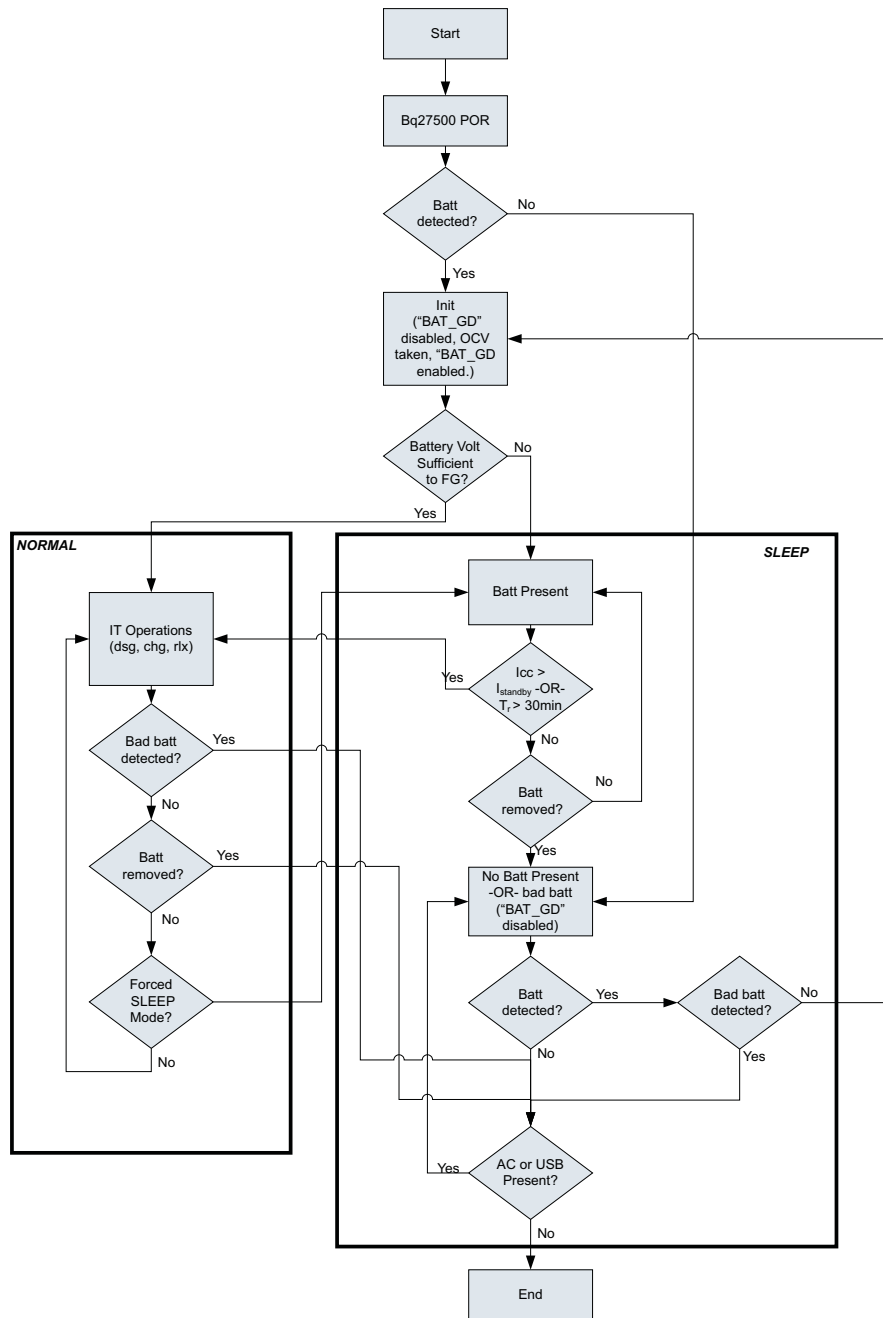


Figure 2. BAT\_LOW/BAT\_GD Pin Operation, Based Upon Battery Presence and bq27510-G2 Operating Mode

### TEMPERATURE MEASUREMENT

The bq27510-G2 measures battery temperature via its TS input, in order to supply battery temperature status information to the fuel gauging algorithm and charger-control sections of the gauge. Alternatively, it can also measure internal temperature via its on-chip temperature sensor, but only if the **[TEMPS]** bit of **Operation Configuration** register is cleared.

Regardless of which sensor is used for measurement, a system processor can request the current battery temperature by calling the Temperature( ) function (see [Standard Data Commands](#), for specific information).

The recommended thermistor circuit uses an external 103AT-type thermistor. Additional circuit information for connecting this thermistor to the bq27510-G2 is shown in [REFERENCE SCHEMATIC](#).

## OVER-TEMPERATURE INDICATION

### Over-Temperature: Charge

If during charging,  $Temperature()$  reaches the threshold of **OT Chg** for a period of **OT Chg Time** and  $AverageCurrent() > Chg\ Current\ Threshold$ , then the [OTC] bit of  $Flags()$  is set.

If **OT Chg Time** = 0 then feature is completely disabled. When  $Temperature()$  falls to **OT Chg Recovery**, the [OTC] bit of  $Flags()$  is reset.

### Over-Temperature: Discharge

If during discharging,  $Temperature()$  reaches the threshold of **OT Dsg** for a period of **OT Dsg Time**, and  $AverageCurrent() \leq Dsg\ Current\ Threshold$ , then the [OTD] bit of  $Flags()$  is set.

If **OT Dsg Time** = 0 then feature is completely disabled.

## CHARGING AND CHARGE-TERMINATION INDICATORS

### Detecting Charge Termination

For proper bq27510-G2 operation, the cell charging voltage must be specified by the user. The default value for this variable is **Charging Voltage** = 4200mV.

The bq27510-G2 detects charge termination when (1) during 2 consecutive periods of **Current Taper Window**, the  $AverageCurrent()$  is  $< Taper\ Current$ , (2) during the same periods, the accumulated change in capacity  $> 0.25mAh / Current\ Taper\ Window$ , and (3)  $Voltage() > Charging\ Voltage - Taper\ Voltage$ . When this occurs, the [CHG] bit of  $Flags()$  is cleared. Also, if the [RMFCC] bit of **Operation Configuration** is set, and  $RemainingCapacity()$  is set equal to  $FullChargeCapacity()$ .

### Charge Inhibit

When PFC = 1, the bq27510-G2 can indicate when battery temperature has fallen below or risen above predefined thresholds (**Charge Inhibit Temp Low** and **Charge Inhibit Temp High**, respectively). In this mode, the BAT\_LOW/BAT\_GD line is made high to indicate this condition, and is returned to its low state, once battery temperature returns to the range [**Charge Inhibit Temp Low + Temp Hys**, **Charge Inhibit Temp High – Temp Hys**].

When PFC = 0 or 2, the bq27510-G2 must be queried by the system in order to determine the battery temperature. At that time, the bq27510-G2 will sample the temperature. This saves battery energy when operating from battery, as periodic temperature updates are avoided during charging mode.

## POWER MODES

The bq27510-G2 has four power modes: NORMAL, SLEEP, HIBERNATE and BAT INSERT CHECK. In NORMAL mode, the bq27510-G2 is fully powered and can execute any allowable task. In SLEEP mode the fuel gauge exists in a reduced-power state, periodically taking measurements and performing calculations. In HIBERNATE mode, the fuel gauge is in a very low power state, but can be woken up by communication. Finally, the BAT INSERT CHECK mode is a powered-up, but low-power halted, state, where the bq27510-G2 resides when no battery is inserted into the system.

The relationship between these modes is shown in [Figure 3](#).

### NORMAL Mode

The fuel gauge is in NORMAL Mode when not in any other power mode. During this mode,  $AverageCurrent()$ ,  $Voltage()$  and  $Temperature()$  measurements are taken, and the interface data set is updated. Decisions to change states are also made. This mode is exited by activating a different power mode.

Because the gauge consumes the most power in NORMAL mode, the Impedance Track™ algorithm minimizes the time the fuel gauge remains in this mode.

### SLEEP Mode

SLEEP mode is entered automatically if the feature is enabled (**Operation Configuration [SLEEP]** = 1) and *AverageCurrent*( ) is below the programmable level **Sleep Current**. Once entry into SLEEP mode has been qualified, but prior to entering it, the bq27510-G2 performs an ADC autocalibration to minimize offset.

During SLEEP mode, the bq27510-G2 periodically takes data measurements and updates its data set. However, a majority of its time is spent in an idle condition.

The bq27510-G2 exits SLEEP if any entry condition is broken, specifically when:

1. *AverageCurrent*( ) rises above **Sleep Current**, or
2. a current in excess of  $I_{WAKE}$  through  $R_{SENSE}$  is detected.

In the event that a battery is removed from the system while a charger is present (and powering the gauge), Impedance Track™ updates are not necessary. Hence, the fuel gauge enters a state that checks for battery insertion and does not continue executing the Impedance Track™ algorithm.

### SLEEP+ MODE

Compared to the SLEEP mode, SLEEP+ mode has the high frequency oscillator in operation. The communication delay could be eliminated. The SLEEP+ is entered automatically if the feature is enabled (**CONTROL STATUS [SNOOZE]** = 1) and *AverageCurrent*( ) is below the programmable level Sleep Current.

During SLEEP+ mode, the bq27510-G2 periodically takes data measurements and updates its data set. However, a majority of its time is spent in an idle condition.

The bq27510-G2 exits SLEEP+ if any entry condition is broken, specifically when:

1. any communication activity with the gauge, or
2. *AverageCurrent*( ) rises above Sleep Current, or
3. a current in excess of  $I_{WAKE}$  through  $R_{SENSE}$  is detected.

### BAT INSERT CHECK Mode

This mode is a halted-CPU state that occurs when an adapter, or other power source, is present to power the bq27510-G2 (and system), yet no battery has been detected. When battery insertion is detected, a series of initialization activities begin, which include: OCV measurement, setting the BAT\_GD pin, and selecting the appropriate battery profiles. The setting of BAT\_GD pin will experience longer delay (about 2 seconds) if other power source is not present when battery is inserted.

Some commands, issued by a system processor, can be processed while the bq27510-G2 is halted in this mode. The gauge wakes up to process the command, then returns to the halted state awaiting battery insertion.

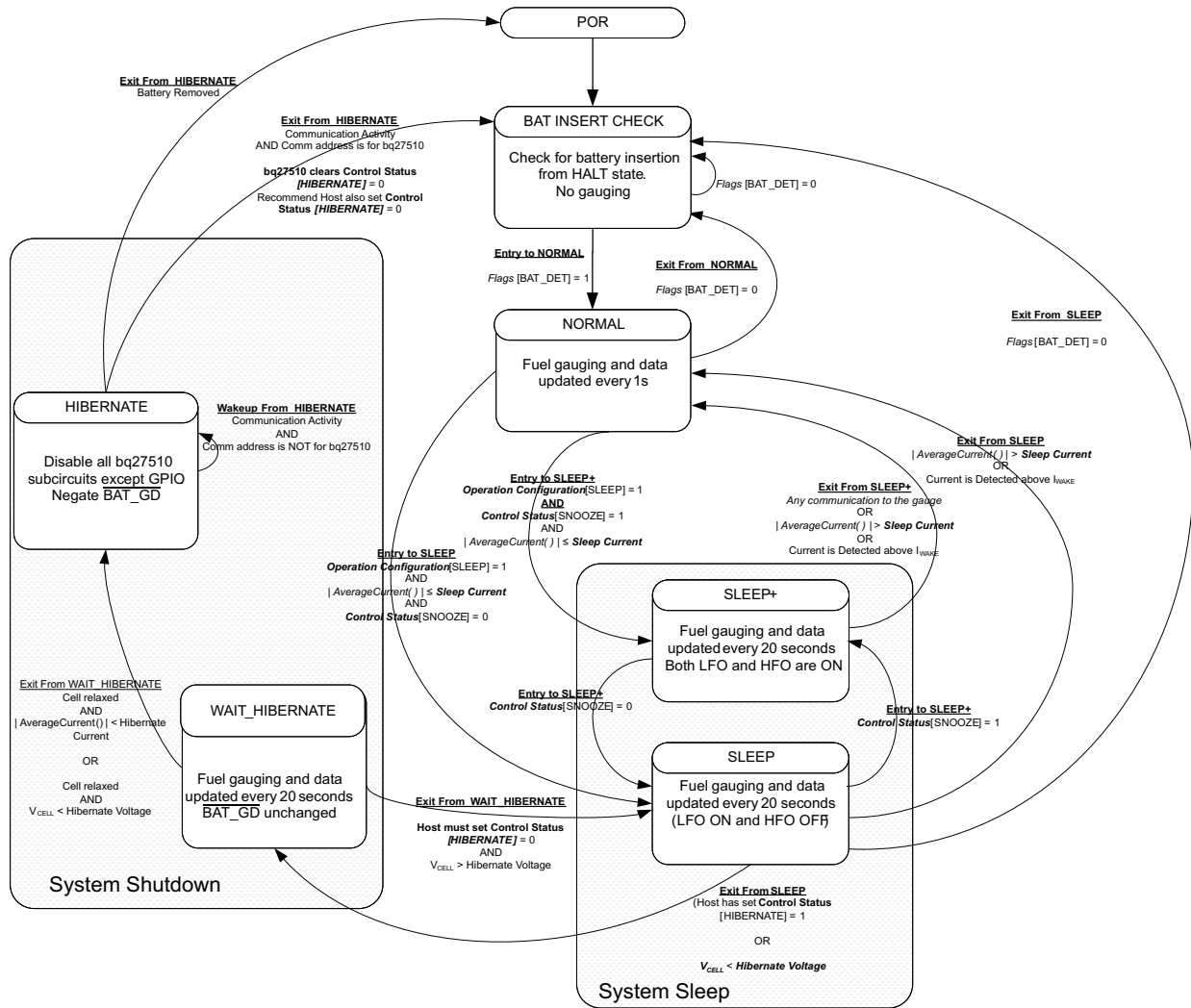


Figure 3. Power Mode Diagram

### HIBERNATE Mode

HIBERNATE mode could be used when the system equipment needs to enter a very low-power state, and minimal gauge power consumption is required. This mode is ideal when a system equipment is set to its own HIBERNATE, SHUTDOWN, or OFF modes.

Before the fuel gauge can enter HIBERNATE mode, the system must set the *[HIBERNATE]* bit of the CONTROL\_STATUS register. The gauge waits to enter HIBERNATE mode until it has taken a valid OCV measurement and the magnitude of the average cell current has fallen below **Hibernate Current**. The gauge can also enter HIBERNATE mode if the cell voltage falls below **Hibernate Voltage**. The gauge will remain in HIBERNATE mode until the system issues a direct I<sup>2</sup>C command to the gauge. I<sup>2</sup>C Communication that is not directed to the gauge will not wake the gauge (or at least for very long).

It is important that BAT\_LOW/BAT\_GD be set to disable status (no battery charging/discharging). This prevents a charger application from inadvertently charging the battery before an OCV reading can be taken. It is the system's responsibility to wake the bq27510-G2 after it has gone into HIBERNATE mode. After waking, the gauge can proceed with the initialization of the battery information (OCV, profile selection, etc.)

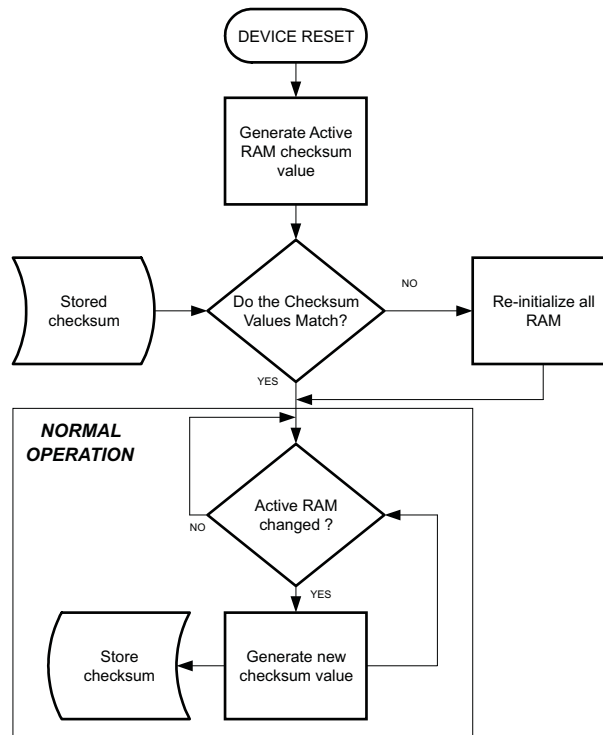
It is suggested to keep the system in the SLEEP mode instead of HIBERNATE mode when a charger is attached. The reason is that charger removal will not wake up the battery from HIBERNATE mode.

## POWER CONTROL

### Reset Functions

When the bq27510-G2 detects a software reset (*[RESET]* bit of *Control( )* initiated), it determines the type of reset and increments the corresponding counter. This information is accessible by issuing the command *Control( )* function with the *RESET\_DATA* subcommand.

As shown in [Figure 4](#) if a partial reset was detected, a RAM checksum is generated and compared against the previously stored checksum. If the checksum values do not match, the RAM is reinitialized (a *Full Reset*). The stored checksum is updated every time RAM is altered.



**Figure 4. Partial Reset Flow Diagram**

### Wake-Up Comparator

The wake up comparator is used to indicate a change in cell current while the bq27510-G2 is in SLEEP mode or HIBERNATE modes. **Operation Configuration** uses bits *[RSNS1–RSNS0]* to set the sense resistor selection. **Operation Configuration** also uses the *[IWAKE]* bit to select one of two possible voltage threshold ranges for the given sense resistor selection. An internal interrupt is generated when the threshold is breached in either charge or discharge directions. Setting both *[RSNS1]* and *[RSNS0]* to 0 disables this feature.

**Table 12. I<sub>WAKE</sub> Threshold Settings<sup>(1)</sup>**

RSNS1	RSNS0	I <sub>WAKE</sub>	V <sub>th</sub> (SRP-SRN)
0	0	0	Disabled
0	0	1	Disabled
0	1	0	+1.25 mV or –1.25 mV
0	1	1	+2.5 mV or –2.5 mV
1	0	0	+2.5 mV or –2.5 mV
1	0	1	+5 mV or –5 mV
1	1	0	+5 mV or –5 mV
1	1	1	+10 mV or –10 mV

(1) The actual resistance value versus the setting of the sense resistor is not important; just the actual voltage threshold when calculating the configuration. The voltage thresholds are typical values under room temperature.

### Flash Updates

Data Flash can only be updated if  $Voltage( ) \geq \text{Flash Update OK Voltage}$ . Flash programming current can cause an increase in LDO dropout. The value of **Flash Update OK Voltage** should be selected such that the bq27510-G2 V<sub>cc</sub> voltage does not fall below its minimum of 2.4V during Flash write operations.

### AUTOCALIBRATION

The bq27510-G2 provides an autocalibration feature that will measure the voltage offset error across SRP and SRN from time-to-time as operating conditions change. It subtracts the resulting offset error from normal sense resistor voltage, V<sub>SR</sub>, for maximum measurement accuracy.

Autocalibration of the ADC begins on entry to SLEEP mode, except if  $Temperature( ) \leq 5^{\circ}\text{C}$  or  $Temperature( ) = 45^{\circ}\text{C}$ .

The fuel gauge also performs a single offset when (1) the condition of  $AverageCurrent( ) \leq 100\text{mA}$  and (2) {voltage change since last offset calibration  $\geq 256\text{mV}$ } or {temperature change since last offset calibration is greater than  $8^{\circ}\text{C}$  for  $\geq 60\text{s}$ }.

Capacity and current measurements will continue at the last measured rate during the offset calibration when these measurements cannot be performed. If the battery voltage drops more than 32mV during the offset calibration, the load current has likely increased considerably; hence, the offset calibration will be aborted.

## APPLICATION-SPECIFIC INFORMATION

### BATTERY PROFILE STORAGE AND SELECTION

#### Common Profile Aspects

When a battery pack is removed from system equipment that implements the bq27510-G2, the fuel gauge maintains some of the battery information, in case it is re-inserted. This way the Impedance Track™ algorithm often has a means of recovering battery-status information, thereby maintaining good state-of-charge (SOC) estimates.

Two default battery profiles are available to store battery information. They are used to provide the Impedance Track™ algorithm with the default information on two possible battery types expected to be used with the end-equipment. These default profiles can be used to support batteries of different chemistry, same chemistry but different capacities, or same chemistry but different models. Default profiles are programmed by the end-equipment manufacturer. Note that in the case of bq27510-G2, only one of the default profiles can be selected, and this selection cannot be changed during end-equipment operation.

In addition to the default profiles, the bq27510-G2 maintains two active profiles: *Cell0* and *Cell1*. These tables hold *dynamic* battery data, and keep track of the status for up to two of the most recent batteries used. In most cases the bq27510-G2 can administrate information on two removable battery packs.



## Activities Upon Pack Insertion

### First OCV and Impedance Measurement

At power-up the BAT\_LOW/BAT\_GD pin is inactive, so that the system cannot obtain power from the battery (this depends on actual implementation). In this state, the battery is put in an open-circuit condition. Next, the bq27510-G2 measures its first open-circuit voltage (OCV) via the BAT pin. From the OCV(SOC) table, the SOC of the inserted battery is found. Then the BAT\_LOW/BAT\_GD pin is made active, and the impedance of the inserted battery is calculated from the measured voltage and the load current:  $Z(\text{SOC}) = (\text{OCV}(\text{SOC}) - V) / I$ . This impedance is compared with the impedance of the dynamic profiles, **Packn**, and the default profiles, **Defn**, for the same SOC (the letter n depicts either a 0 or 1).

### Reading Application Status

The **Application Status** data flash location contains cell profile status information, and can be read using the `ApplicationStatus( )` Extended Command (0x6a). The bit configuration of this function/location is shown in [Table 13](#).

**Table 13. ApplicationStatus( ) Bit Definitions**

Application Configuration	bit7	bit6	bit5	bit4	bit3	bit2	bit1	bit0
Byte	–	–	–	–	–	–	–	LU_PROF <sup>(1)</sup>

(1) LU\_PROF = Last profile used by gas gauge. *Cell0*. last used when cleared. *Cell1* last used when set. Default is 0.

## APPLICATION-SPECIFIC FLOW AND CONTROL

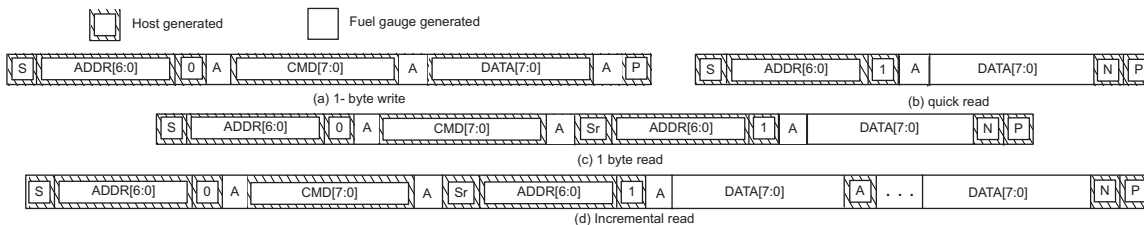
The bq27510-G2 supports only one type of battery profile. This profile is stored in both the **Def0** and **Def1** profiles. When a battery pack is inserted for the first time, the default profile is copied into the **Packn** profiles. Then the Impedance Track™ algorithm begins gas gauging, regularly updating **Packn** as the battery is used.

When an existing pack is removed from the bq27510-G2 and a different (or same) pack is inserted, cell impedance is measured immediately after battery detection. The bq27510-G2 chooses the profile which is closest to the measured impedance, starting with the **Packn** profiles. That is, if the measured impedance matches **Pack0**, then the **Pack0** profile is used. If the measured impedance matches **Pack1**, then the **Pack1** profile is used. If the measured impedance does not match the impedance stored in either **Pack0** or **Pack1**, the battery pack is deemed new (none of the previously used packs). Either **Def0/Def1** profile is copied into either the **Pack0** or **Pack1** profile, overwriting the oldest **Packn** profile.

COMMUNICATIONS

I<sup>2</sup>C INTERFACE

The fuel gauge supports the standard I<sup>2</sup>C read, incremental read, one-byte write quick read, and functions. The 7-bit device address (ADDR) is the most significant 7 bits of the hex address and is fixed as 1010101. The 8-bit device address is therefore 0xaa or 0xab for write or read, respectively.



(S = Start, Sr = Repeated Start, A = Acknowledge, N = No Acknowledge, and P = Stop)

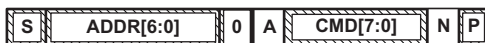
Figure 5. Supported I<sup>2</sup>C Formats

The "quick read" returns data at the address indicated by the address pointer. The address pointer, a register internal to the I<sup>2</sup>C communication engine, increments whenever data is acknowledged by the bq27510-G2 or the I<sup>2</sup>C master. "Quick writes" function in the same manner and are a convenient means of sending multiple bytes to consecutive command locations (such as two-byte commands that require two bytes of data).

Attempt to write a read-only address (NACK after data sent by master):



Attempt to read an address above 0x6B (NACK command):



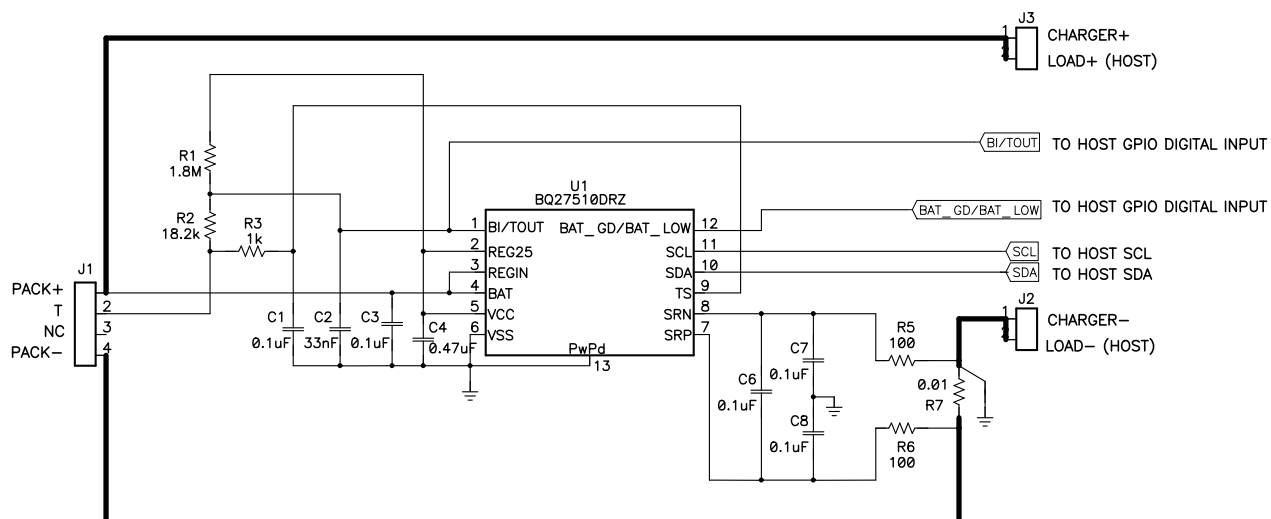
Attempt at incremental writes (NACK all extra data bytes sent):



Incremental read at the maximum allowed read address:



### REFERENCE SCHEMATIC



## TAPE AND REEL INFORMATION



### QUADRANT ASSIGNMENTS FOR PIN 1 ORIENTATION IN TAPE



\*All dimensions are nominal

Device	Package Type	Package Drawing	Pins	SPQ	Reel Diameter (mm)	Reel Width W1 (mm)	A0 (mm)	B0 (mm)	K0 (mm)	P1 (mm)	W (mm)	Pin1 Quadrant
BQ27510DRZR-G2	SON	DRZ	12	3000	330.0	12.4	2.8	4.3	1.2	4.0	12.0	Q2
BQ27510DRZT-G2	SON	DRZ	12	250	330.0	12.4	2.8	4.3	1.2	4.0	12.0	Q2

TAPE AND REEL BOX DIMENSIONS

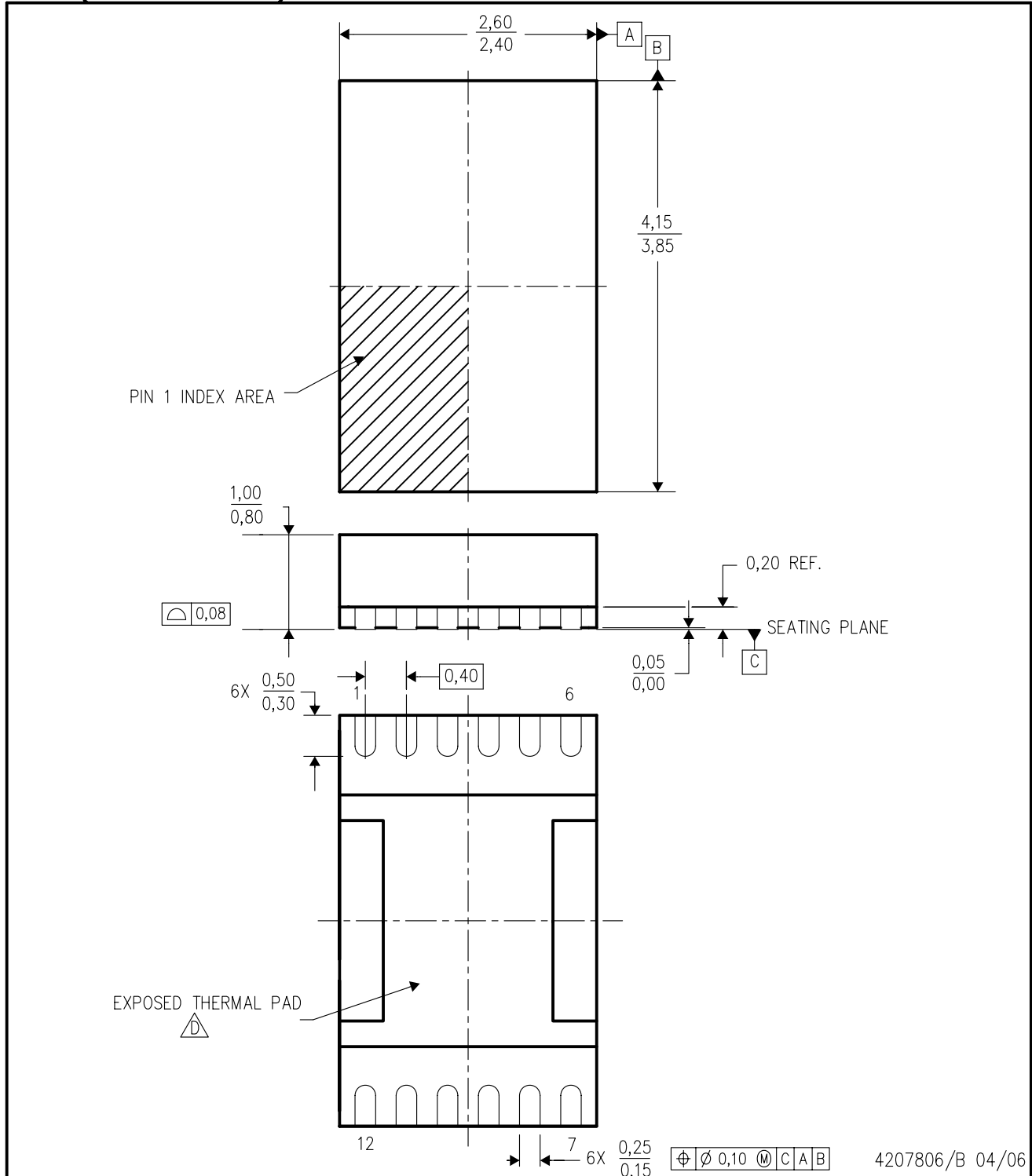



\*All dimensions are nominal

Device	Package Type	Package Drawing	Pins	SPQ	Length (mm)	Width (mm)	Height (mm)
BQ27510DRZR-G2	SON	DRZ	12	3000	338.1	338.1	20.6
BQ27510DRZT-G2	SON	DRZ	12	250	367.0	367.0	38.0

DRZ (S-PDSO-N12)

PLASTIC SMALL OUTLINE



- NOTES:
- A. All linear dimensions are in millimeters. Dimensioning and tolerancing per ASME Y14.5M-1994.
  - B. This drawing is subject to change without notice.
  - C. Small Outline No-Lead (SON) package configuration.
  -  The package thermal pad must be soldered to the board for thermal and mechanical performance. See the Product Data Sheet for details regarding the exposed thermal pad dimensions.
  - E. This package is lead-free.

DRZ (R-PDSO-N12)

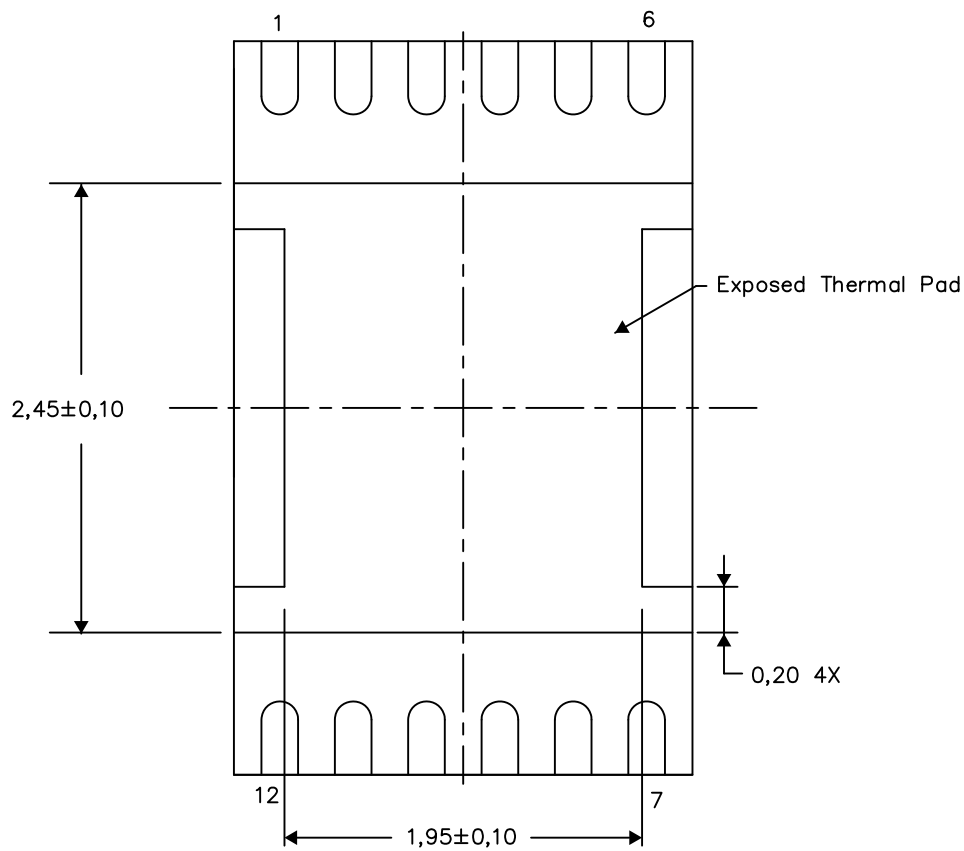
PLASTIC SMALL OUTLINE NO-LEAD

THERMAL INFORMATION

This package incorporates an exposed thermal pad that is designed to be attached directly to an external heatsink. The thermal pad must be soldered directly to the printed circuit board (PCB). After soldering, the PCB can be used as a heatsink. In addition, through the use of thermal vias, the thermal pad can be attached directly to the appropriate copper plane shown in the electrical schematic for the device, or alternatively, can be attached to a special heatsink structure designed into the PCB. This design optimizes the heat transfer from the integrated circuit (IC).

For information on the Quad Flatpack No-Lead (QFN) package and its advantages, refer to Application Report, QFN/SON PCB Attachment, Texas Instruments Literature No. SLUA271. This document is available at [www.ti.com](http://www.ti.com).

The exposed thermal pad dimensions for this package are shown in the following illustration.



Bottom View  
Exposed Thermal Pad Dimensions

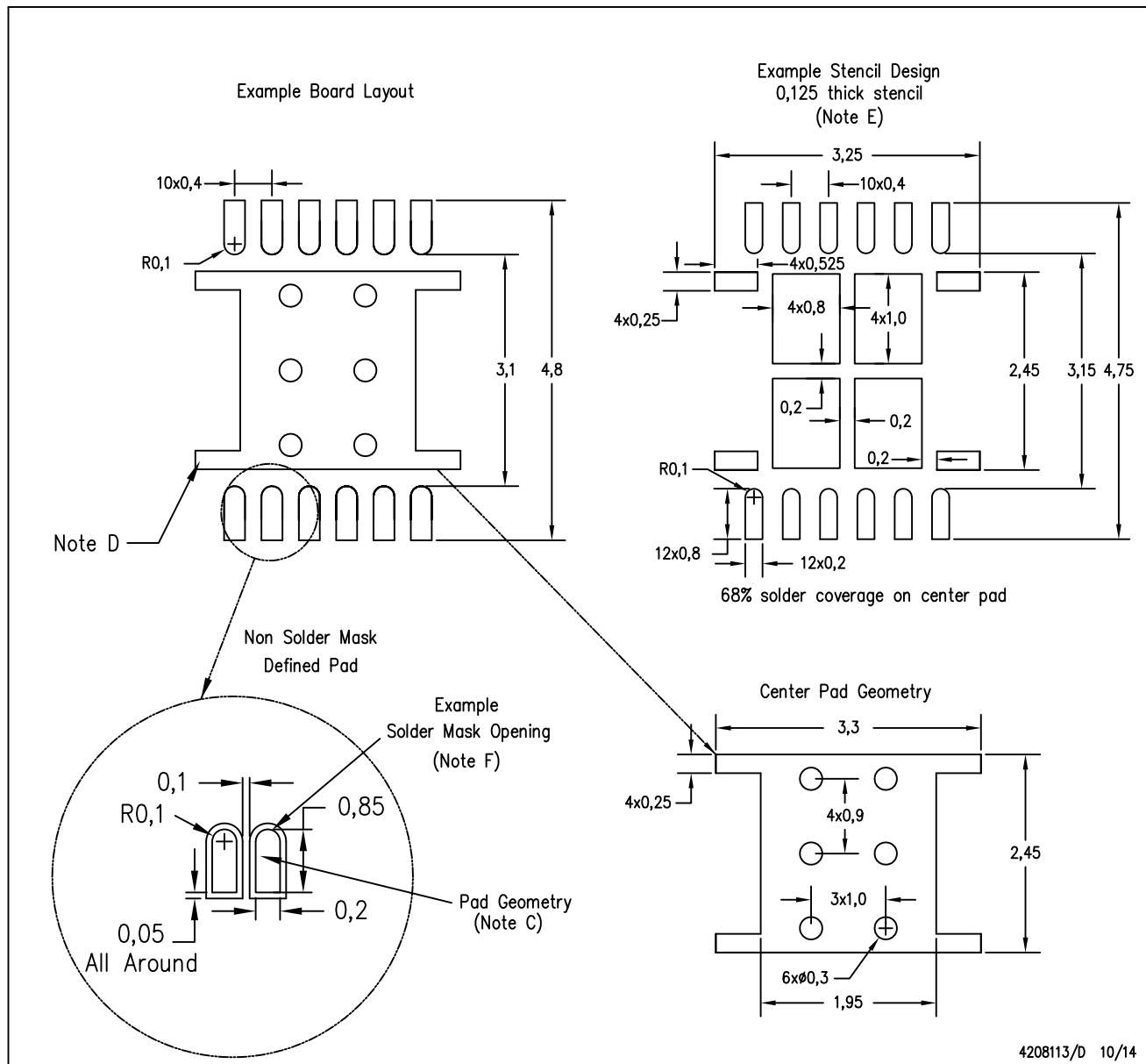
4208114/F 10/14

NOTE: All linear dimensions are in millimeters



DRZ (S-PDSO-N12)

PLASTIC SMALL OUTLINE NO-LEAD



4208113/D 10/14

- NOTES:
- All linear dimensions are in millimeters.
  - This drawing is subject to change without notice.
  - Publication IPC-7351 is recommended for alternate designs.
  - This package is designed to be soldered to a thermal pad on the board. Refer to Application Note, Quad Flat-Pack Packages, Texas Instruments Literature No. SCBA017, SLUA271, and also the Product Data Sheets for specific thermal information, via requirements, and recommended board layout. These documents are available at [www.ti.com](http://www.ti.com) <<http://www.ti.com>>.
  - Laser cutting apertures with trapezoidal walls and also rounding corners will offer better paste release. Customers should contact their board assembly site for stencil design recommendations. Refer to IPC 7525 for stencil design considerations.
  - Customers should contact their board fabrication site for minimum solder mask web tolerances between signal pads.

## IMPORTANT NOTICE

Texas Instruments Incorporated (TI) reserves the right to make corrections, enhancements, improvements and other changes to its semiconductor products and services per JESD46, latest issue, and to discontinue any product or service per JESD48, latest issue. Buyers should obtain the latest relevant information before placing orders and should verify that such information is current and complete.

TI's published terms of sale for semiconductor products (<http://www.ti.com/sc/docs/stdterms.htm>) apply to the sale of packaged integrated circuit products that TI has qualified and released to market. Additional terms may apply to the use or sale of other types of TI products and services.

Reproduction of significant portions of TI information in TI data sheets is permissible only if reproduction is without alteration and is accompanied by all associated warranties, conditions, limitations, and notices. TI is not responsible or liable for such reproduced documentation. Information of third parties may be subject to additional restrictions. Resale of TI products or services with statements different from or beyond the parameters stated by TI for that product or service voids all express and any implied warranties for the associated TI product or service and is an unfair and deceptive business practice. TI is not responsible or liable for any such statements.

Buyers and others who are developing systems that incorporate TI products (collectively, "Designers") understand and agree that Designers remain responsible for using their independent analysis, evaluation and judgment in designing their applications and that Designers have full and exclusive responsibility to assure the safety of Designers' applications and compliance of their applications (and of all TI products used in or for Designers' applications) with all applicable regulations, laws and other applicable requirements. Designer represents that, with respect to their applications, Designer has all the necessary expertise to create and implement safeguards that (1) anticipate dangerous consequences of failures, (2) monitor failures and their consequences, and (3) lessen the likelihood of failures that might cause harm and take appropriate actions. Designer agrees that prior to using or distributing any applications that include TI products, Designer will thoroughly test such applications and the functionality of such TI products as used in such applications.

TI's provision of technical, application or other design advice, quality characterization, reliability data or other services or information, including, but not limited to, reference designs and materials relating to evaluation modules, (collectively, "TI Resources") are intended to assist designers who are developing applications that incorporate TI products; by downloading, accessing or using TI Resources in any way, Designer (individually or, if Designer is acting on behalf of a company, Designer's company) agrees to use any particular TI Resource solely for this purpose and subject to the terms of this Notice.

TI's provision of TI Resources does not expand or otherwise alter TI's applicable published warranties or warranty disclaimers for TI products, and no additional obligations or liabilities arise from TI providing such TI Resources. TI reserves the right to make corrections, enhancements, improvements and other changes to its TI Resources. TI has not conducted any testing other than that specifically described in the published documentation for a particular TI Resource.

Designer is authorized to use, copy and modify any individual TI Resource only in connection with the development of applications that include the TI product(s) identified in such TI Resource. NO OTHER LICENSE, EXPRESS OR IMPLIED, BY ESTOPPEL OR OTHERWISE TO ANY OTHER TI INTELLECTUAL PROPERTY RIGHT, AND NO LICENSE TO ANY TECHNOLOGY OR INTELLECTUAL PROPERTY RIGHT OF TI OR ANY THIRD PARTY IS GRANTED HEREIN, including but not limited to any patent right, copyright, mask work right, or other intellectual property right relating to any combination, machine, or process in which TI products or services are used. Information regarding or referencing third-party products or services does not constitute a license to use such products or services, or a warranty or endorsement thereof. Use of TI Resources may require a license from a third party under the patents or other intellectual property of the third party, or a license from TI under the patents or other intellectual property of TI.

TI RESOURCES ARE PROVIDED "AS IS" AND WITH ALL FAULTS. TI DISCLAIMS ALL OTHER WARRANTIES OR REPRESENTATIONS, EXPRESS OR IMPLIED, REGARDING RESOURCES OR USE THEREOF, INCLUDING BUT NOT LIMITED TO ACCURACY OR COMPLETENESS, TITLE, ANY EPIDEMIC FAILURE WARRANTY AND ANY IMPLIED WARRANTIES OF MERCHANTABILITY, FITNESS FOR A PARTICULAR PURPOSE, AND NON-INFRINGEMENT OF ANY THIRD PARTY INTELLECTUAL PROPERTY RIGHTS. TI SHALL NOT BE LIABLE FOR AND SHALL NOT DEFEND OR INDEMNIFY DESIGNER AGAINST ANY CLAIM, INCLUDING BUT NOT LIMITED TO ANY INFRINGEMENT CLAIM THAT RELATES TO OR IS BASED ON ANY COMBINATION OF PRODUCTS EVEN IF DESCRIBED IN TI RESOURCES OR OTHERWISE. IN NO EVENT SHALL TI BE LIABLE FOR ANY ACTUAL, DIRECT, SPECIAL, COLLATERAL, INDIRECT, PUNITIVE, INCIDENTAL, CONSEQUENTIAL OR EXEMPLARY DAMAGES IN CONNECTION WITH OR ARISING OUT OF TI RESOURCES OR USE THEREOF, AND REGARDLESS OF WHETHER TI HAS BEEN ADVISED OF THE POSSIBILITY OF SUCH DAMAGES.

Unless TI has explicitly designated an individual product as meeting the requirements of a particular industry standard (e.g., ISO/TS 16949 and ISO 26262), TI is not responsible for any failure to meet such industry standard requirements.

Where TI specifically promotes products as facilitating functional safety or as compliant with industry functional safety standards, such products are intended to help enable customers to design and create their own applications that meet applicable functional safety standards and requirements. Using products in an application does not by itself establish any safety features in the application. Designers must ensure compliance with safety-related requirements and standards applicable to their applications. Designer may not use any TI products in life-critical medical equipment unless authorized officers of the parties have executed a special contract specifically governing such use. Life-critical medical equipment is medical equipment where failure of such equipment would cause serious bodily injury or death (e.g., life support, pacemakers, defibrillators, heart pumps, neurostimulators, and implantables). Such equipment includes, without limitation, all medical devices identified by the U.S. Food and Drug Administration as Class III devices and equivalent classifications outside the U.S.

TI may expressly designate certain products as completing a particular qualification (e.g., Q100, Military Grade, or Enhanced Product). Designers agree that it has the necessary expertise to select the product with the appropriate qualification designation for their applications and that proper product selection is at Designers' own risk. Designers are solely responsible for compliance with all legal and regulatory requirements in connection with such selection.

Designer will fully indemnify TI and its representatives against any damages, costs, losses, and/or liabilities arising out of Designer's non-compliance with the terms and provisions of this Notice.