

## 1 MHz Operational Amplifier with EMI Filtering

### Features

- **Low Quiescent Current:**
  - 70  $\mu$ A (maximum)/amplifier
- **Low Input Offset Voltage:**
  - $\pm 1.6$  mV (maximum)
- **Enhanced EMI Protection:**
  - Electromagnetic Interference Rejection Ratio (EMIRR) at 1.8 GHz: 95 dB
- Supply Voltage Range: 1.8V to 5.5V
- Gain Bandwidth Product: 1 MHz (typical)
- Rail-to-Rail Input/Output
- Unity Gain Stable
- No Phase Reversal
- Quick Start-up Time: 6  $\mu$ s (typical)
- Small Packages
- Extended Temperature Range: -40°C to +125°C
- AEC Q100 Qualified, Grade 1

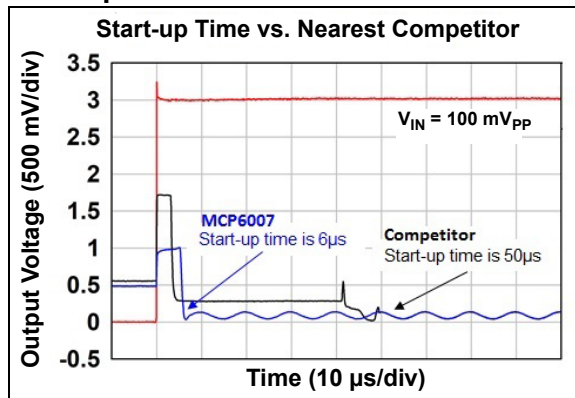
### Applications

- Smoke Detectors
- Automotive, see [Product Identification System \(Automotive\)](#)
- Battery-Powered Systems
- Sensor Conditioning
- Battery Current Monitoring

### Design Aids

- SPICE Macro Models
- Microchip Advanced Part Selector (MAPS)
- Analog Demonstration and Evaluation Boards
- Application Notes

### Start-up Time



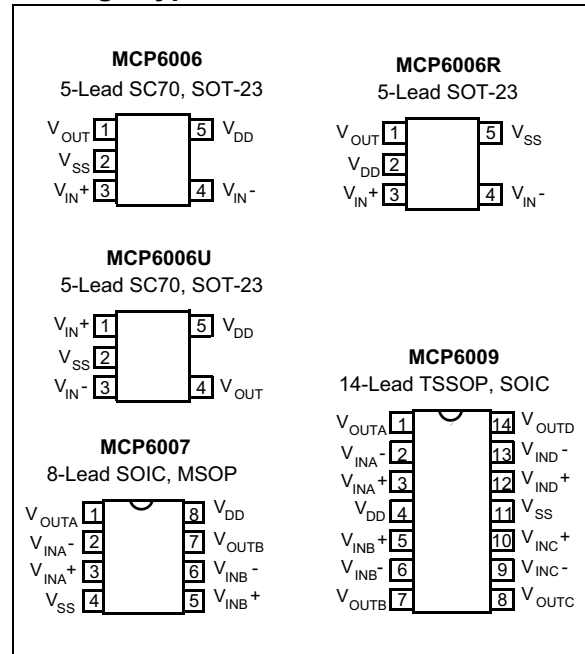
### Description

The Microchip Technology Inc. MCP6006/6R/6U/7/9 operational amplifier operates with a single supply voltage as low as 1.8V, while drawing low quiescent current (70  $\mu$ A, maximum per amplifier). This op amp also has low input offset voltage ( $\pm 1.6$  mV, maximum), and rail-to-rail input and output operation. In addition, the MCP6006/6R/6U/7/9 is unity gain stable and has a gain bandwidth product of 1 MHz (typical). This combination of features supports battery-powered and portable applications.

The MCP6006/6R/6U/7/9 has enhanced EMI protection, minimizing electromagnetic interference from external sources. This feature makes it well-suited for EMI-sensitive applications, such as power lines, radio stations and mobile communications.

This product family is offered in single (MCP6006), dual (MCP6007) and quad (MCP6009) packages. All devices are designed using an advanced CMOS process and fully specified in the extended temperature range from -40°C to +125°C.

### Package Types



# MCP6006/6R/6U/7/9

## 1.0 ELECTRICAL CHARACTERISTICS

### 1.1 Absolute Maximum Ratings†

|  |                                    |
|--|------------------------------------|
| $V_{DD} - V_{SS}$ .....                                      | 6V                                 |
| Current at Analog Input Pins ( $V_{IN+}$ , $V_{IN-}$ ) ..... | ±5 mA                              |
| Analog Inputs ( $V_{IN+}$ , $V_{IN-}$ )†† .....              | $V_{SS} - 0.5V$ to $V_{DD} + 0.5V$ |
| Difference Input Voltage .....                               | $ V_{DD} - V_{SS} $                |
| Output Short-Circuit Current (Note 1) .....                  | Continuous                         |
| Storage Temperature .....                                    | -65°C to +150°C                    |
| Maximum Junction Temperature ( $T_J$ ) .....                 | +150°C                             |
| ESD Protection on All Pins (HBM; CDM; MM) .....              | ≥ 3 kV; 2 kV; 300V                 |

**Note 1:** Short-circuit to ground, one amplifier per package.

† **Notice:** Stresses above those listed under “Absolute Maximum Ratings” may cause permanent damage to the device. This is a stress rating only and functional operation of the device at those or any other conditions above those indicated in the operational listings of this specification is not implied. Exposure to maximum rating conditions for extended periods may affect device reliability.

†† See [Section 4.1.2 “Input Voltage Limits”](#).

### 1.2 Specifications

#### DC ELECTRICAL SPECIFICATIONS

**Electrical Characteristics:** Unless otherwise indicated,  $T_A = +25^\circ\text{C}$ ,  $V_{DD} = +1.8V$  to  $+5.5V$ ,  $V_{SS} = \text{GND}$ ,  $V_{CM} = V_{DD}/4$ ,  $V_{OUT} = V_{DD}/2$ ,  $V_L = V_{DD}/2$ ,  $R_L = 10\text{ k}\Omega$  to  $V_L$  and  $C_L = 30\text{ pF}$ .

| Parameters                              | Sym.                       | Min. | Typ.         | Max. | Units                        | Conditions  |
|---|----------------------------|------|--------------|------|------------------------------|---|
| <b>Input Offset</b>                     |                            |      |              |      |                              |   |
| Input Offset Voltage                    | $V_{OS}$                   | -1.6 | —            | 1.6  | mV                           |   |
| Input Offset Drift with Temperature     | $\Delta V_{OS}/\Delta T_A$ | —    | ±0.6         | —    | $\mu\text{V}/^\circ\text{C}$ | $T_A = -40^\circ\text{C}$ to $+125^\circ\text{C}$ |
| Power Supply Rejection Ratio            | PSRR                       | 80   | 95           | —    | dB                           |   |
| <b>Input Bias Current and Impedance</b> |                            |      |              |      |                              |   |
| Input Bias Current                      | $I_B$                      | —    | ±1           | —    | pA                           |   |
|   |                            | —    | 19           | —    | pA                           | $T_A = +85^\circ\text{C}$                         |
|   |                            | —    | 200          | —    | pA                           | $T_A = +125^\circ\text{C}$                        |
| Input Offset Current                    | $I_{OS}$                   | —    | ±1           | —    | pA                           |   |
| Common-Mode Input Impedance             | $Z_{CM}$                   | —    | $10^{13}  6$ | —    | $\Omega  \text{pF}$          |   |
| Differential Input Impedance            | $Z_{DIFF}$                 | —    | $10^{13}  1$ | —    | $\Omega  \text{pF}$          |   |

# MCP6006/6R/6U/7/9

## DC ELECTRICAL SPECIFICATIONS (CONTINUED)

**Electrical Characteristics:** Unless otherwise indicated,  $T_A = +25^\circ\text{C}$ ,  $V_{DD} = +1.8\text{V}$  to  $+5.5\text{V}$ ,  $V_{SS} = \text{GND}$ ,  $V_{CM} = V_{DD}/4$ ,  $V_{OUT} = V_{DD}/2$ ,  $V_L = V_{DD}/2$ ,  $R_L = 10\text{ k}\Omega$  to  $V_L$  and  $C_L = 30\text{ pF}$ .

| Parameters                       | Sym.        | Min.           | Typ.          | Max.           | Units         | Conditions   |
|----------------------------------|-------------|----------------|---------------|----------------|---------------|--|
| <b>Common-Mode</b>               |             |                |               |                |               |  |
| Common-Mode Input Voltage Range  | $V_{CMR}$   | $V_{SS} - 0.3$ | —             | $V_{DD} + 0.3$ | V             | $T_A = -40^\circ\text{C}$ to $+125^\circ\text{C}$                                    |
|                                  |             | $V_{SS} - 0.1$ | —             | $V_{DD} + 0.1$ |               |  |
| Common-Mode Rejection Ratio      | CMRR        | —              | 90            | —              | dB            | $V_{DD} = 5.5\text{V}$ ,<br>$V_{CM} = -0.3\text{V}$ to $4.1\text{V}$                 |
|                                  |             | 60             | 76            | —              | dB            | $V_{DD} = 5.5\text{V}$ ,<br>$V_{CM} = -0.3\text{V}$ to $5.8\text{V}$                 |
|                                  |             | 60             | 76            | —              | dB            | $V_{DD} = 1.8\text{V}$ ,<br>$V_{CM} = -0.3\text{V}$ to $2.1\text{V}$                 |
|                                  |             | 50             | 76            | —              | dB            | $V_{DD} = 5.5\text{V}$ , $V_{CM} = -0.3\text{V}$<br>to $5.8\text{V}$ (MCP6006/6R/6U) |
|                                  |             | 50             | 76            | —              | dB            | $V_{DD} = 1.8\text{V}$ , $V_{CM} = -0.3\text{V}$<br>to $2.1\text{V}$ (MCP6006/6R/6U) |
| <b>Open-Loop Gain</b>            |             |                |               |                |               |  |
| DC Open-Loop Gain (Large Signal) | $A_{OL}$    | 105            | 126           | —              | dB            | $0.2 < V_{OUT} < (V_{DD} - 0.2\text{V})$   |
| <b>Output</b>                    |             |                |               |                |               |  |
| High-Level Output Voltage        | $V_{OH}$    | $V_{DD} - 10$  | $V_{DD} - 6$  | —              | mV            | $V_{DD} = 5.5\text{V}$ , $R_L = 10\text{ k}\Omega$                                   |
|                                  |             | $V_{DD} - 80$  | $V_{DD} - 54$ | —              |               | $V_{DD} = 5.5\text{V}$ , $R_L = 1\text{ k}\Omega$                                    |
| Low-Level Output Voltage         | $V_{OL}$    | —              | $V_{SS} + 6$  | $V_{SS} + 10$  |               | $V_{DD} = 5.5\text{V}$ , $R_L = 10\text{ k}\Omega$                                   |
|                                  |             | —              | $V_{SS} + 54$ | $V_{SS} + 80$  |               | $V_{DD} = 5.5\text{V}$ , $R_L = 1\text{ k}\Omega$                                    |
| Output Short-Circuit Current     | $I_{SC}$    | —              | $\pm 6$       | —              | mA            | $V_{DD} = 1.8\text{V}$   |
|                                  |             | —              | $\pm 30$      | —              | mA            | $V_{DD} = 5.5\text{V}$   |
| <b>Power Supply</b>              |             |                |               |                |               |  |
| Supply Voltage                   | $V_{DD}$    | 1.8            | —             | 5.5            | V             |  |
| Quiescent Current per Amplifier  | $I_Q$       | —              | 50            | 70             | $\mu\text{A}$ | $I_O = 0$  |
| Start-up Time                    | $t_{start}$ | —              | 6             | —              | $\mu\text{s}$ | $V_{DD} = 0\text{V}$ to $5.5\text{V}$  |
| Crosstalk                        |             | —              | 140           | —              | dB            |  |

## AC ELECTRICAL SPECIFICATIONS

**Electrical Characteristics:** Unless otherwise indicated,  $T_A = +25^\circ\text{C}$ ,  $V_{DD} = +1.8\text{V}$  to  $+5.5\text{V}$ ,  $V_{SS} = \text{GND}$ ,  $V_{CM} = V_{DD}/4$ ,  $V_{OUT} = V_{DD}/2$ ,  $V_L = V_{DD}/2$ ,  $R_L = 10\text{ k}\Omega$  to  $V_L$  and  $C_L = 30\text{ pF}$ .

| Parameters                        | Sym.    | Min. | Typ.   | Max. | Units                  | Conditions  |
|-----------------------------------|---------|------|--------|------|------------------------|---|
| <b>AC Response</b>                |         |      |        |      |                        |   |
| Gain Bandwidth Product            | GBWP    | —    | 1      | —    | MHz                    |   |
| Phase Margin                      | PM      | —    | 70     | —    | $^\circ$               | $G = +1\text{ V/V}$   |
| Slew Rate                         | SR      | —    | 1.9    | —    | $\text{V}/\mu\text{s}$ | $V_{DD} = 5.5\text{V}$  |
| Settling Time                     | $t_s$   | —    | 3      | —    | $\mu\text{s}$          | To 0.1%, $V_{DD} = 5\text{V}$ ,<br>2V step, $G = +1$  |
|                                   |         | —    | 3.5    | —    |                        | To 0.01%, $V_{DD} = 5\text{V}$ ,<br>2V step, $G = +1$   |
| Total Harmonic Distortion + Noise | THD + N | —    | 0.0025 | —    | %                      | $V_{DD} = 5\text{V}$ , $V_o = 1\text{V}_{RMS}$ ,<br>$G = +1$ , $f = 1\text{kHz}$ , 80 kHz<br>measurement BW |

# MCP6006/6R/6U/7/9

## AC ELECTRICAL SPECIFICATIONS (CONTINUED)

**Electrical Characteristics:** Unless otherwise indicated,  $T_A = +25^\circ\text{C}$ ,  $V_{DD} = +1.8\text{V}$  to  $+5.5\text{V}$ ,  $V_{SS} = \text{GND}$ ,  $V_{CM} = V_{DD}/4$ ,  $V_{OUT} = V_{DD}/2$ ,  $V_L = V_{DD}/2$ ,  $R_L = 10\text{ k}\Omega$  to  $V_L$  and  $C_L = 30\text{ pF}$ .

| Parameters                                   | Sym.     | Min. | Typ. | Max. | Units                        | Conditions                                     |
|--|----------|------|------|------|------------------------------|--|
| <b>Noise</b>                                 |          |      |      |      |                              |  |
| Input Noise Voltage                          | $E_{ni}$ | —    | 3.3  | —    | $\mu\text{V}_{P-P}$          | $f = 0.1\text{ Hz to }10\text{ Hz}$            |
| Input Noise Voltage Density                  | $e_{ni}$ | —    | 25   | —    | $\text{nV}/\sqrt{\text{Hz}}$ | $f = 1\text{ kHz}$                             |
|  |          | —    | 22   | —    | $\text{nV}/\sqrt{\text{Hz}}$ | $f = 10\text{ kHz}$                            |
| Input Noise Current Density                  | $i_{ni}$ | —    | 0.6  | —    | $\text{fA}/\sqrt{\text{Hz}}$ | $f = 1\text{ kHz}$                             |
| Electromagnetic Interference Rejection Ratio | EMIRR    | —    | 60   | —    | dB                           | $V_{IN} = 100\text{ mV}_{PK}, 400\text{ MHz}$  |
|  |          | —    | 90   | —    |                              | $V_{IN} = 100\text{ mV}_{PK}, 900\text{ MHz}$  |
|  |          | —    | 95   | —    |                              | $V_{IN} = 100\text{ mV}_{PK}, 1800\text{ MHz}$ |
|  |          | —    | 100  | —    |                              | $V_{IN} = 100\text{ mV}_{PK}, 2400\text{ MHz}$ |
|  |          | —    | 100  | —    |                              | $V_{IN} = 100\text{ mV}_{PK}, 5800\text{ MHz}$ |

## TEMPERATURE SPECIFICATIONS

**Electrical Characteristics:** Unless otherwise indicated,  $V_{DD} = +1.8\text{V}$  to  $+5.5\text{V}$  and  $V_{SS} = \text{GND}$ .

| Parameters                         | Sym.          | Min. | Typ. | Max. | Units                     | Conditions             |
|------------------------------------|---------------|------|------|------|---------------------------|------------------------|
| <b>Temperature Ranges</b>          |               |      |      |      |                           |                        |
| Operating Temperature Range        | $T_A$         | -40  | —    | +125 | $^\circ\text{C}$          | <a href="#">Note 1</a> |
| Storage Temperature Range          | $T_A$         | -65  | —    | +150 | $^\circ\text{C}$          |                        |
| <b>Thermal Package Resistances</b> |               |      |      |      |                           |                        |
| Thermal Resistance, 5-Lead SC70    | $\theta_{JA}$ | —    | 331  | —    | $^\circ\text{C}/\text{W}$ |                        |
| Thermal Resistance, 5-Lead SOT-23  | $\theta_{JA}$ | —    | 221  | —    | $^\circ\text{C}/\text{W}$ |                        |
| Thermal Resistance, 8-Lead MSOP    | $\theta_{JA}$ | —    | 206  | —    | $^\circ\text{C}/\text{W}$ |                        |
| Thermal Resistance, 8-Lead SOIC    | $\theta_{JA}$ | —    | 150  | —    | $^\circ\text{C}/\text{W}$ |                        |
| Thermal Resistance, 14-Lead TSSOP  | $\theta_{JA}$ | —    | 100  | —    | $^\circ\text{C}/\text{W}$ |                        |
| Thermal Resistance, 14-Lead SOIC   | $\theta_{JA}$ | —    | 120  | —    | $^\circ\text{C}/\text{W}$ |                        |

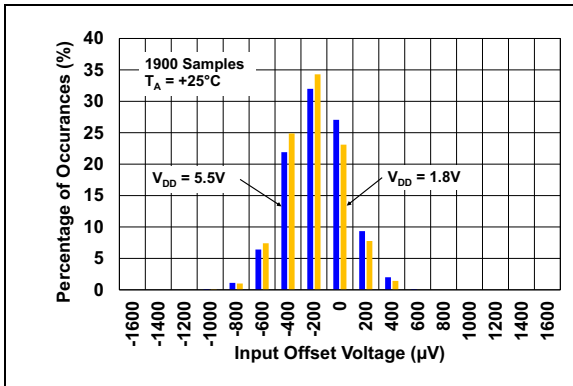
**Note 1:** The internal Junction Temperature ( $T_J$ ) must not exceed the absolute maximum specification of  $+150^\circ\text{C}$ .

## 2.0 TYPICAL PERFORMANCE CURVES

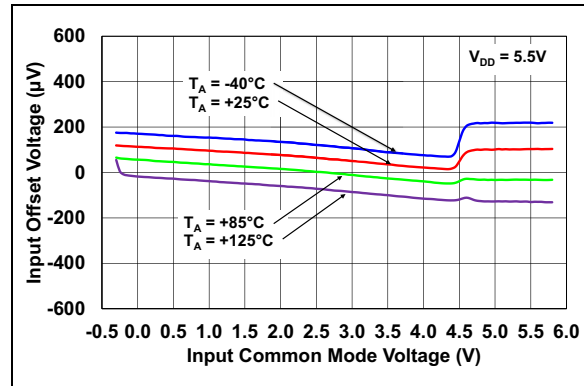
**Note:** The graphs and tables provided following this note are a statistical summary based on a limited number of samples and are provided for informational purposes only. The performance characteristics listed herein are not tested or guaranteed. In some graphs or tables, the data presented may be outside the specified operating range (e.g., outside specified power supply range) and therefore outside the warranted range.

**Note:** Unless otherwise indicated,  $T_A = +25^\circ\text{C}$ ,  $V_{DD} = +1.8\text{V}$  to  $+5.5\text{V}$ ,  $V_{SS} = \text{GND}$ ,  $V_{CM} = V_{DD}/4$ ,  $V_{OUT} = V_{DD}/2$ ,  $V_L = V_{DD}/2$ ,  $R_L = 10\text{ k}\Omega$  to  $V_L$  and  $C_L = 30\text{ pF}$ .

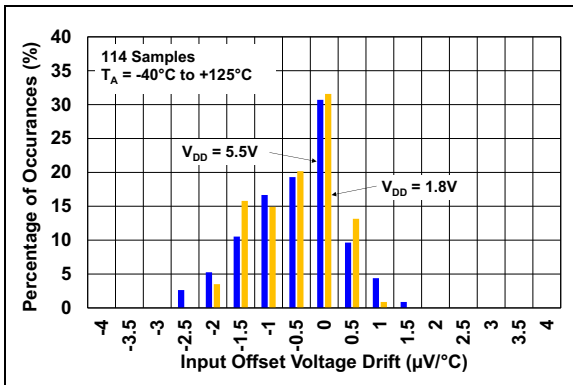
### 2.1 DC Inputs



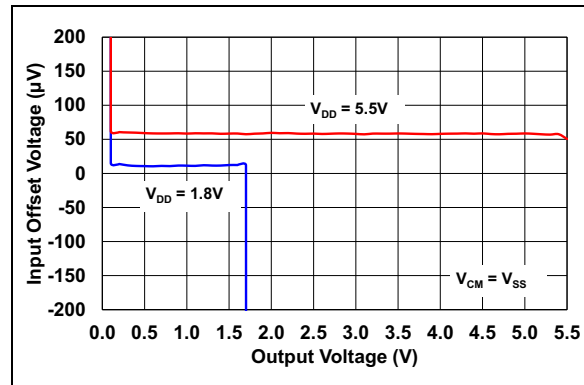
**FIGURE 2-1:** Input Offset Voltage Histogram.



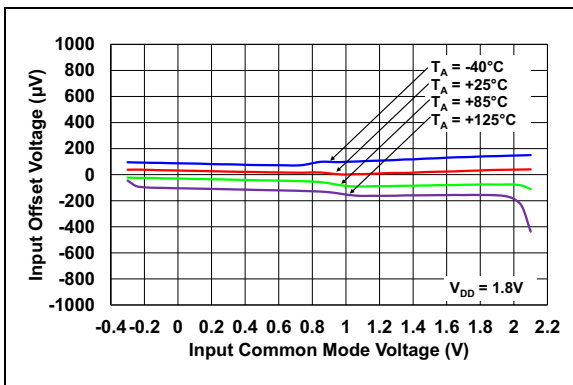
**FIGURE 2-4:** Input Offset Voltage vs. Common-Mode Input Voltage.



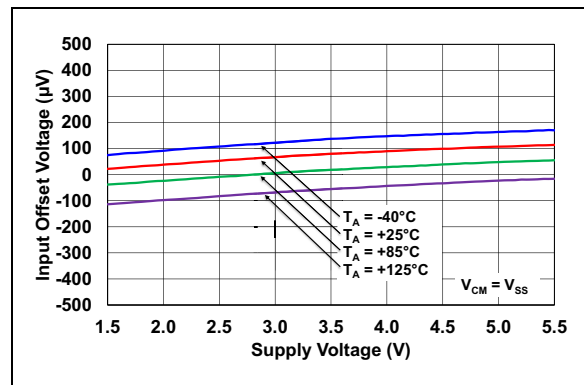
**FIGURE 2-2:** Input Offset Voltage Drift Histogram.



**FIGURE 2-5:** Input Offset Voltage vs. Output Voltage.



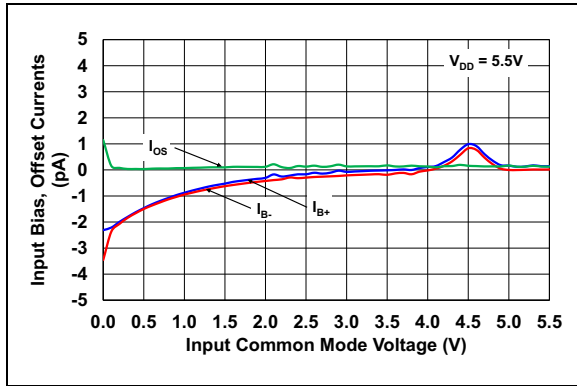
**FIGURE 2-3:** Input Offset Voltage vs. Common-Mode Input Voltage.



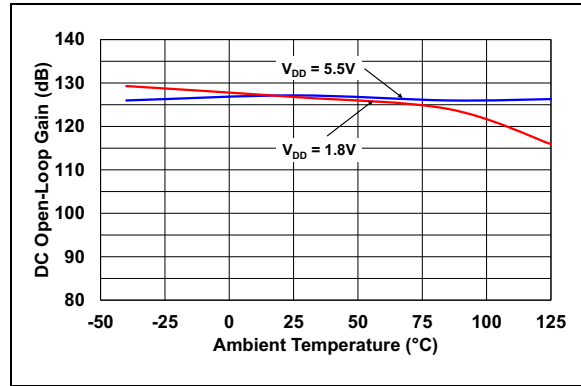
**FIGURE 2-6:** Input Offset Voltage vs. Power Supply Voltage.

# MCP6006/6R/6U/7/9

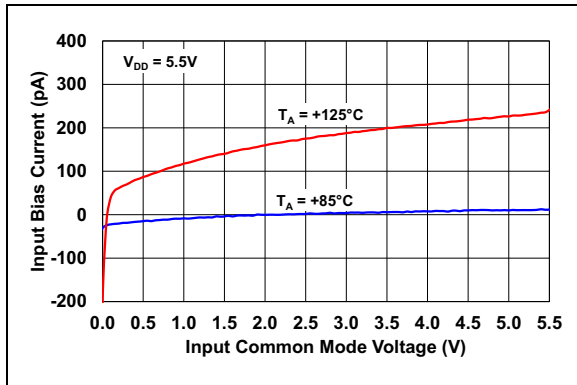
**Note:** Unless otherwise indicated,  $T_A = +25^\circ\text{C}$ ,  $V_{DD} = +1.8\text{V}$  to  $+5.5\text{V}$ ,  $V_{SS} = \text{GND}$ ,  $V_{CM} = V_{DD}/4$ ,  $V_{OUT} = V_{DD}/2$ ,  $V_L = V_{DD}/2$ ,  $R_L = 10\text{ k}\Omega$  to  $V_L$  and  $C_L = 30\text{ pF}$ .



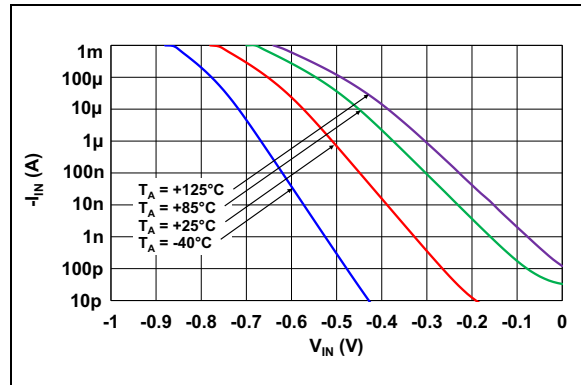
**FIGURE 2-7:** Input Bias, Offset Current vs. Common-Mode Voltage.



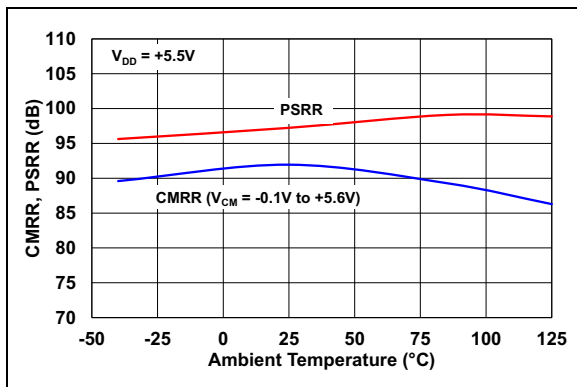
**FIGURE 2-10:** DC Open-Loop Gain vs. Ambient Temperature.



**FIGURE 2-8:** Input Bias Current vs. Common-Mode Input Voltage.



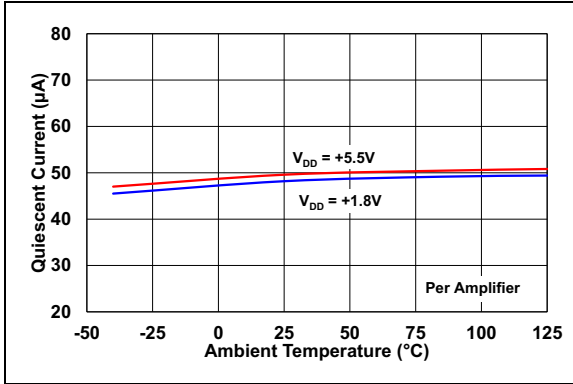
**FIGURE 2-11:** Measured Input Current vs. Input Voltage (below  $V_{SS}$ ).



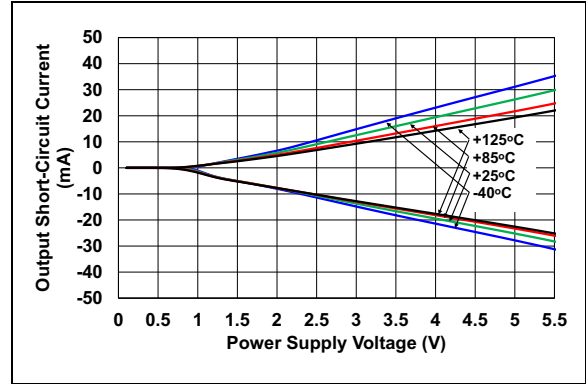
**FIGURE 2-9:** CMRR, PSRR vs. Ambient Temperature.

**Note:** Unless otherwise indicated,  $T_A = +25^\circ\text{C}$ ,  $V_{DD} = +1.8\text{V}$  to  $+5.5\text{V}$ ,  $V_{SS} = \text{GND}$ ,  $V_{CM} = V_{DD}/4$ ,  $V_{OUT} = V_{DD}/2$ ,  $V_L = V_{DD}/2$ ,  $R_L = 10\text{ k}\Omega$  to  $V_L$  and  $C_L = 30\text{ pF}$ .

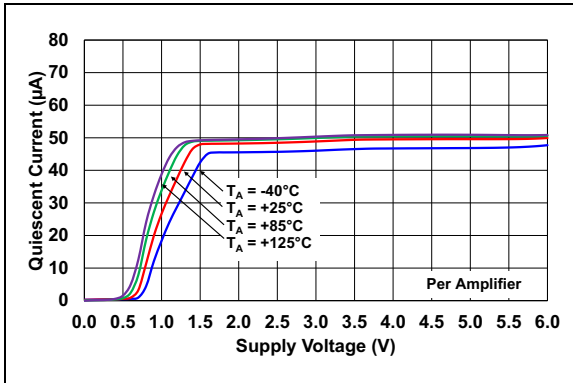
## 2.2 Other DC Voltages and Currents



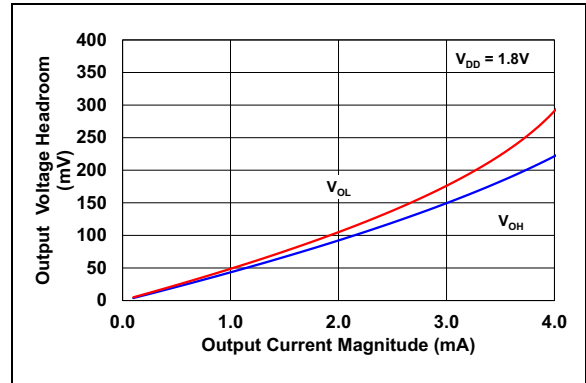
**FIGURE 2-12:** Quiescent Current vs. Ambient Temperature.



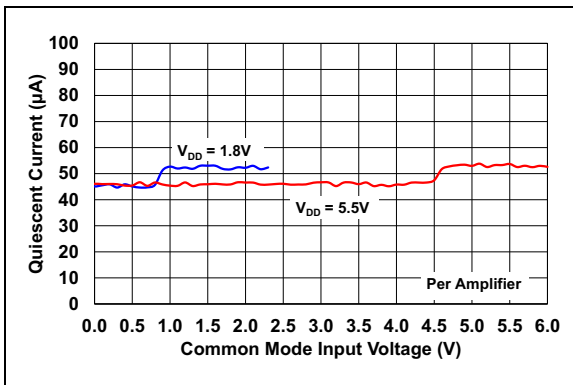
**FIGURE 2-15:** Output Short-Circuit Current vs. Power Supply Voltage.



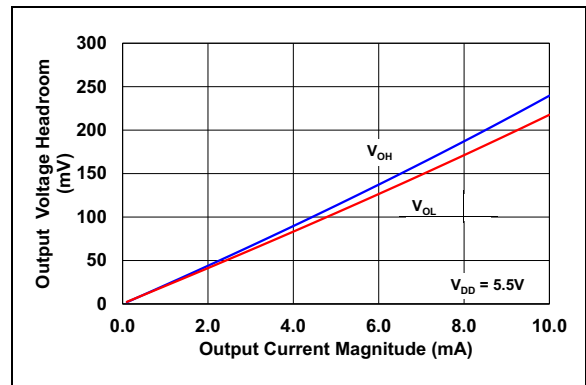
**FIGURE 2-13:** Quiescent Current vs. Power Supply Voltage.



**FIGURE 2-16:** Output Voltage Headroom vs. Output Current.



**FIGURE 2-14:** Quiescent Current vs. Common-Mode Input Voltage.

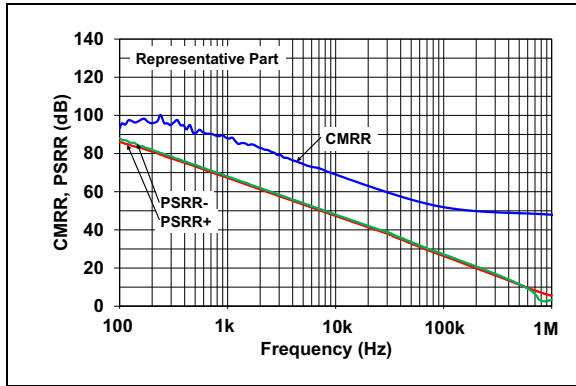


**FIGURE 2-17:** Output Voltage Headroom vs. Output Current.

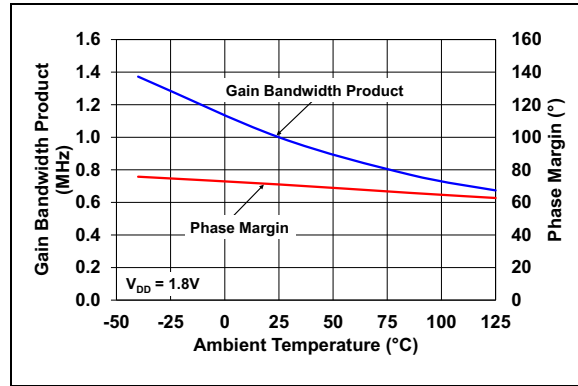
# MCP6006/6R/6U/7/9

**Note:** Unless otherwise indicated,  $T_A = +25^\circ\text{C}$ ,  $V_{DD} = +1.8\text{V}$  to  $+5.5\text{V}$ ,  $V_{SS} = \text{GND}$ ,  $V_{CM} = V_{DD}/4$ ,  $V_{OUT} = V_{DD}/2$ ,  $V_L = V_{DD}/2$ ,  $R_L = 10\text{ k}\Omega$  to  $V_L$  and  $C_L = 30\text{ pF}$ .

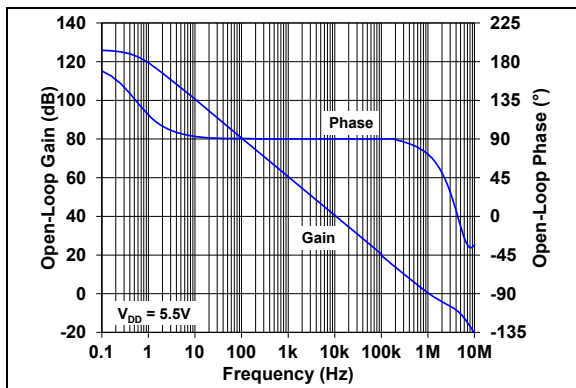
## 2.3 Frequency Response



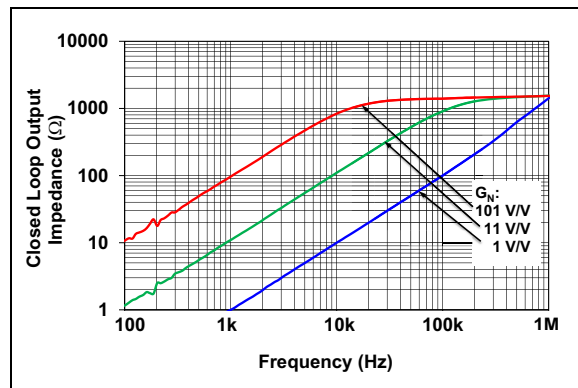
**FIGURE 2-18:** CMRR, PSRR vs. Frequency.



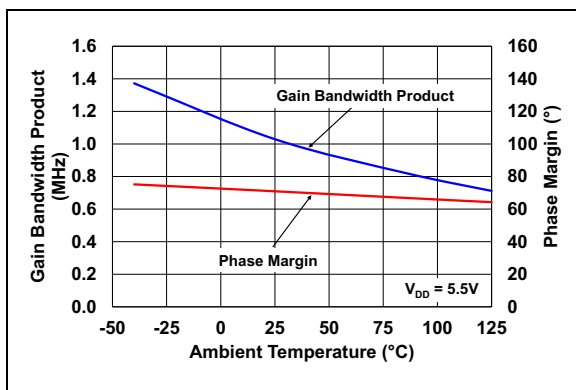
**FIGURE 2-21:** Gain Bandwidth Product, Phase Margin vs. Ambient Temperature.



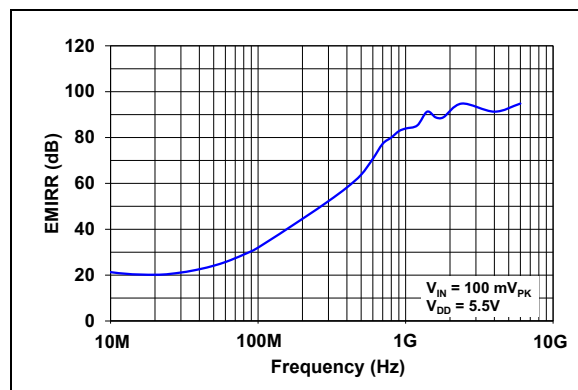
**FIGURE 2-19:** Open-Loop Gain, Phase vs. Frequency.



**FIGURE 2-22:** Closed-Loop Output Impedance vs. Frequency.



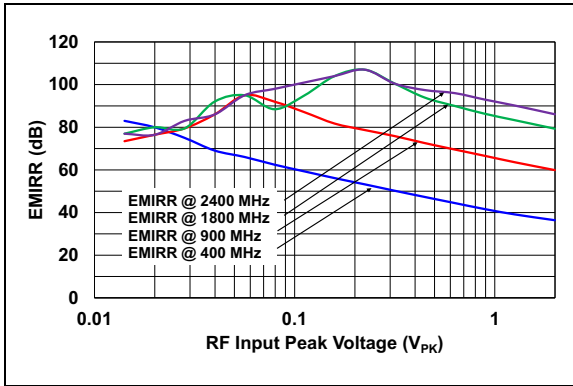
**FIGURE 2-20:** Gain Bandwidth Product, Phase Margin vs. Ambient Temperature.



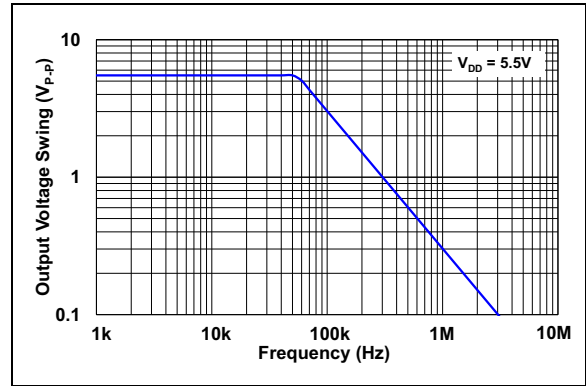
**FIGURE 2-23:** EMIRR vs. Frequency.



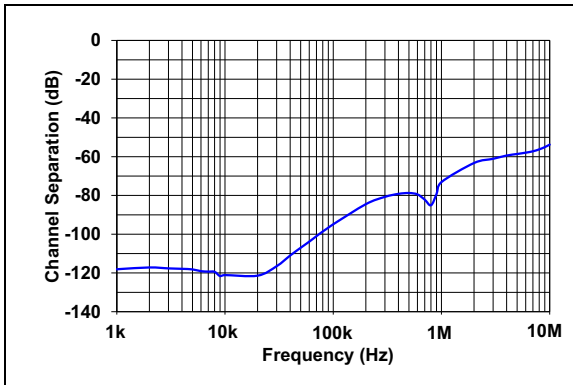
**Note:** Unless otherwise indicated,  $T_A = +25^\circ\text{C}$ ,  $V_{DD} = +1.8\text{V}$  to  $+5.5\text{V}$ ,  $V_{SS} = \text{GND}$ ,  $V_{CM} = V_{DD}/4$ ,  $V_{OUT} = V_{DD}/2$ ,  $V_L = V_{DD}/2$ ,  $R_L = 10\text{ k}\Omega$  to  $V_L$  and  $C_L = 30\text{ pF}$ .



**FIGURE 2-24:** EMIRR vs. RF Input Peak-to-Peak Voltage.



**FIGURE 2-26:** Maximum Output Voltage Swing vs. Frequency.

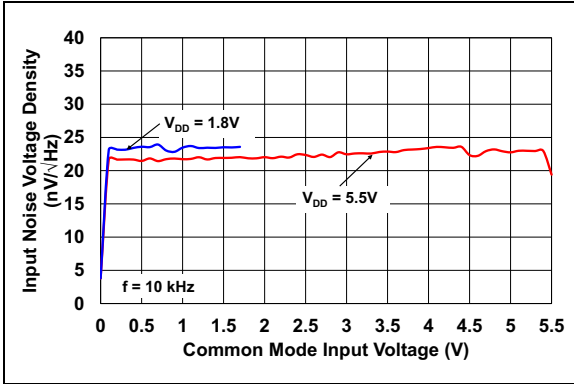


**FIGURE 2-25:** Channel Separation vs. Frequency.

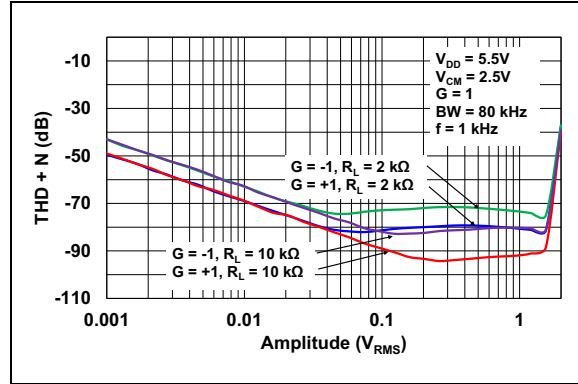
# MCP6006/6R/6U/7/9

**Note:** Unless otherwise indicated,  $T_A = +25^\circ\text{C}$ ,  $V_{DD} = +1.8\text{V}$  to  $+5.5\text{V}$ ,  $V_{SS} = \text{GND}$ ,  $V_{CM} = V_{DD}/4$ ,  $V_{OUT} = V_{DD}/2$ ,  $V_L = V_{DD}/2$ ,  $R_L = 10\text{ k}\Omega$  to  $V_L$  and  $C_L = 30\text{ pF}$ .

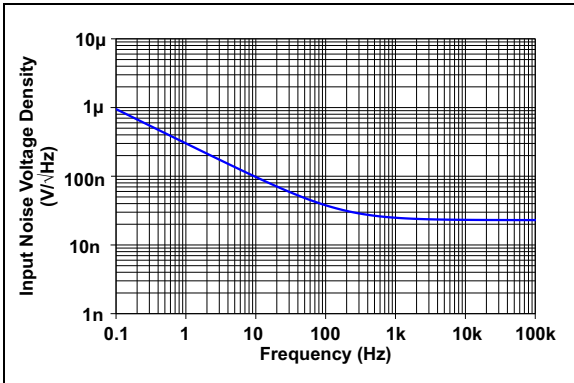
## 2.4 Input Noise



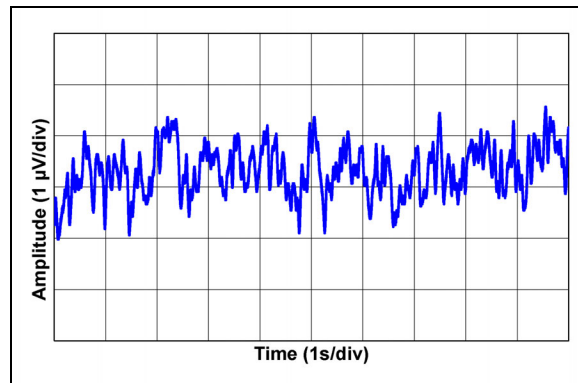
**FIGURE 2-27:** Input Noise Voltage Density vs. Common-Mode Voltage.



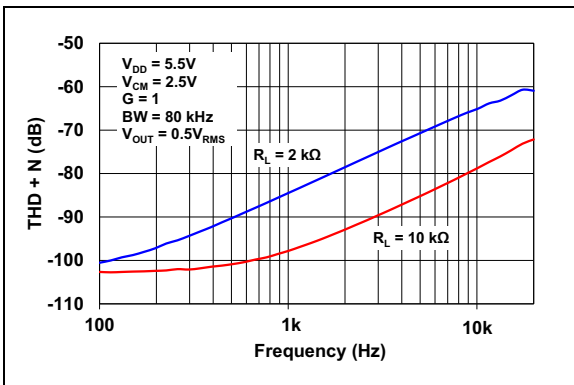
**FIGURE 2-30:** THD + N vs. Amplitude.



**FIGURE 2-28:** Input Noise Voltage Density vs. Frequency.



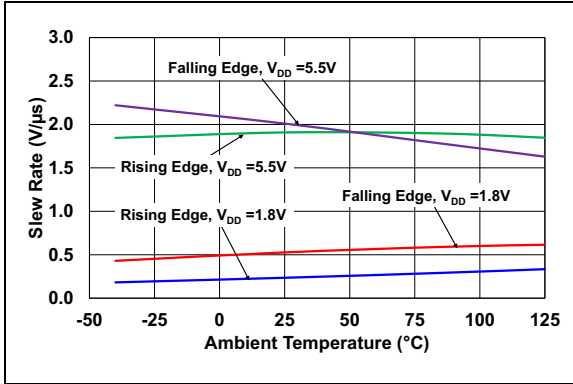
**FIGURE 2-31:** 0.1 Hz to 10 Hz Voltage Noise.



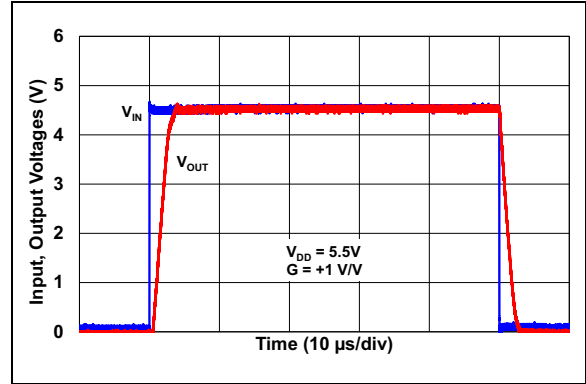
**FIGURE 2-29:** THD + N vs. Frequency.

**Note:** Unless otherwise indicated,  $T_A = +25^\circ\text{C}$ ,  $V_{DD} = +1.8\text{V}$  to  $+5.5\text{V}$ ,  $V_{SS} = \text{GND}$ ,  $V_{CM} = V_{DD}/4$ ,  $V_{OUT} = V_{DD}/2$ ,  $V_L = V_{DD}/2$ ,  $R_L = 10\text{ k}\Omega$  to  $V_L$  and  $C_L = 30\text{ pF}$ .

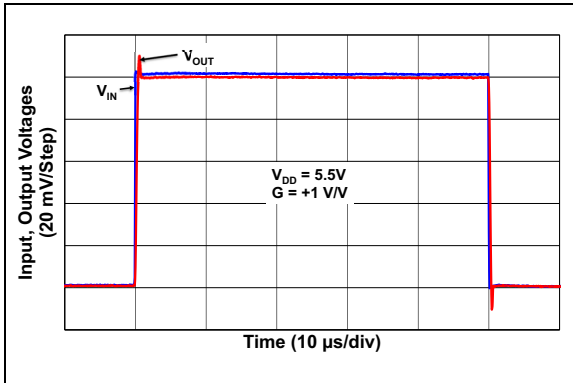
## 2.5 Time Response



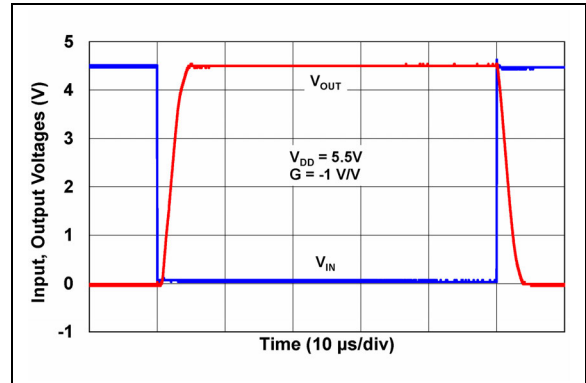
**FIGURE 2-32:** Slew Rate vs. Ambient Temperature.



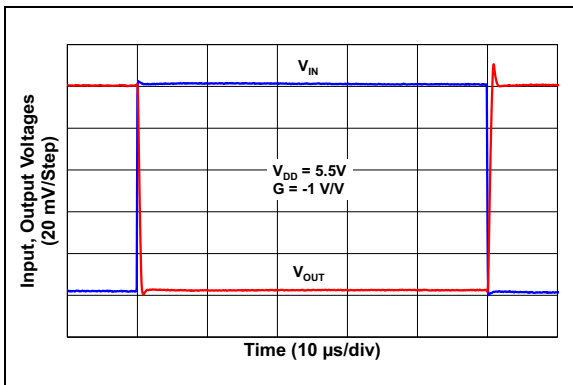
**FIGURE 2-35:** Large Signal Noninverting Pulse Response.



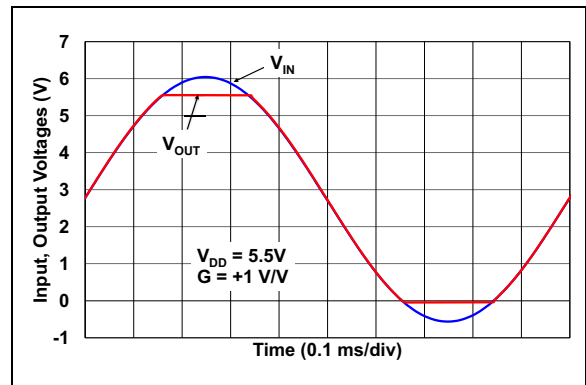
**FIGURE 2-33:** Small Signal Noninverting Pulse Response.



**FIGURE 2-36:** Large Signal Inverting Pulse Response.



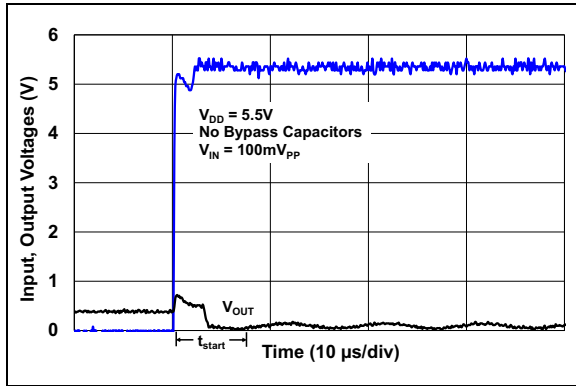
**FIGURE 2-34:** Small Signal Inverting Pulse Response.



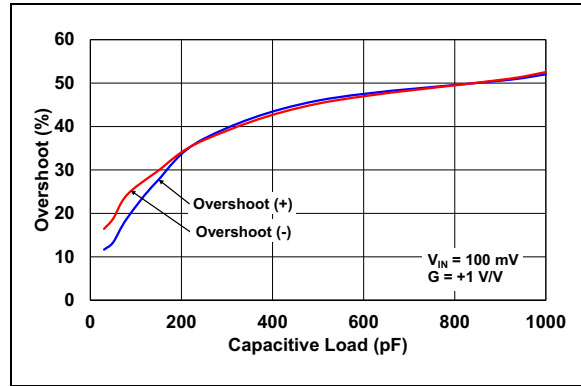
**FIGURE 2-37:** The MCP6006/6R/6U/7/9 Device Shows No Phase Reversal.

# MCP6006/6R/6U/7/9

**Note:** Unless otherwise indicated,  $T_A = +25^\circ\text{C}$ ,  $V_{DD} = +1.8\text{V}$  to  $+5.5\text{V}$ ,  $V_{SS} = \text{GND}$ ,  $V_{CM} = V_{DD}/4$ ,  $V_{OUT} = V_{DD}/2$ ,  $V_L = V_{DD}/2$ ,  $R_L = 10\text{ k}\Omega$  to  $V_L$  and  $C_L = 30\text{ pF}$ .



**FIGURE 2-38:** Start-up Time.



**FIGURE 2-39:** Overshoot vs. Capacitive Load.

## 3.0 PIN DESCRIPTIONS

Descriptions of the pins are listed in [Table 3-1](#), [Table 3-2](#), and [Table 3-3](#).

**TABLE 3-1: PIN FUNCTION TABLE – SINGLES**

| MCP6006<br>5-Lead SC70, SOT-23 | MCP6006R<br>5-Lead SOT-23 | MCP6006U<br>5-Lead SC70, SOT-23 | Symbol    | Description           |
|--------------------------------|---------------------------|---------------------------------|-----------|-----------------------|
| 1                              | 1                         | 4                               |           |                       |
| 2                              | 5                         | 2                               | $V_{SS}$  | Negative Power Supply |
| 3                              | 3                         | 1                               | $V_{IN+}$ | Noninverting Input    |
| 4                              | 4                         | 3                               | $V_{IN-}$ | Inverting Input       |
| 5                              | 2                         | 5                               | $V_{DD}$  | Positive Power Supply |

**TABLE 3-2: PIN FUNCTION TABLE – DUALS**

| MCP6007<br>8-Lead MSOP, SOIC | Symbol     | Description                  |
|------------------------------|------------|------------------------------|
| 1                            |            |                              |
| 2                            | $V_{INA-}$ | Inverting Input; Op Amp A    |
| 3                            | $V_{INA+}$ | Noninverting Input; Op Amp A |
| 4                            | $V_{SS}$   | Negative Power Supply        |
| 5                            | $V_{INB+}$ | Noninverting Input; Op Amp B |
| 6                            | $V_{INB-}$ | Inverting Input; Op Amp B    |
| 7                            | $V_{OUTB}$ | Analog Output; Op Amp B      |
| 8                            | $V_{DD}$   | Positive Power Supply        |

**TABLE 3-3: PIN FUNCTION TABLE – QUADS**

| MCP6009<br>14-Lead TSSOP, SOIC | Symbol     | Description                  |
|--------------------------------|------------|------------------------------|
| 1                              |            |                              |
| 2                              | $V_{INA-}$ | Inverting Input; Op Amp A    |
| 3                              | $V_{INA+}$ | Noninverting Input; Op Amp A |
| 4                              | $V_{DD}$   | Positive Power Supply        |
| 5                              | $V_{INB+}$ | Noninverting Input; Op Amp B |
| 6                              | $V_{INB-}$ | Inverting Input; Op Amp B    |
| 7                              | $V_{OUTB}$ | Analog Output; Op Amp B      |
| 8                              | $V_{OUTC}$ | Analog Output; Op Amp C      |
| 9                              | $V_{INC-}$ | Inverting Input; Op Amp C    |
| 10                             | $V_{INC+}$ | Noninverting Input; Op Amp C |
| 11                             | $V_{SS}$   | Negative Power Supply        |
| 12                             | $V_{IND+}$ | Noninverting Input; Op Amp D |
| 13                             | $V_{IND-}$ | Inverting Input; Op Amp D    |
| 14                             | $V_{OUTD}$ | Analog Output; Op Amp D      |

# MCP6006/6R/6U/7/9

---

## 3.1 Analog Outputs

The analog output pins ( $V_{OUTx}$ ) are low-impedance voltage sources.

## 3.2 Analog Inputs

The noninverting and inverting inputs ( $V_{INx+}$ ,  $V_{INx-}$ ) are high-impedance CMOS inputs with low bias currents.

## 3.3 Power Supply Pins ( $V_{SS}$ , $V_{DD}$ )

The positive power supply ( $V_{DD}$ ) is 1.8V to 5.5V higher than the negative power supply ( $V_{SS}$ ). For normal operation, the other pins are at voltages between  $V_{SS}$  and  $V_{DD}$ .

Typically, these parts are used in a single (positive) supply configuration. In this case,  $V_{SS}$  is connected to ground and  $V_{DD}$  is connected to the supply.  $V_{DD}$  needs bypass capacitors.

## 4.0 APPLICATION INFORMATION

The MCP6006/6R/6U/7/9 operational amplifier is unity gain stable and suitable for a wide range of general purpose applications.

### 4.1 Rail-to-Rail Input

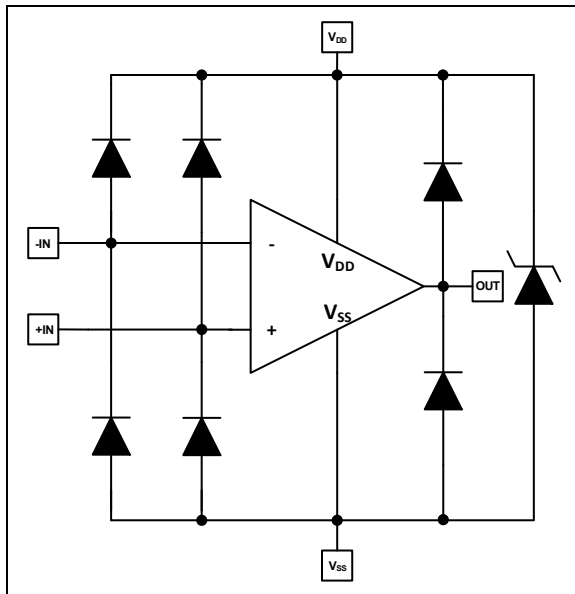
#### 4.1.1 PHASE REVERSAL

The MCP6006/6R/6U/7/9 op amp is designed to prevent phase reversal, when the input pins exceed the supply voltages. Figure 2-37 shows the input voltage exceeding the supply voltage with no phase reversal.

#### 4.1.2 INPUT VOLTAGE LIMITS

In order to prevent damage and/or improper operation of the amplifier, the circuit must limit the voltages at the input pins (see Section 1.1, Absolute Maximum Ratings†).

The Electrostatic Discharge (ESD) protection on the inputs can be depicted as shown in Figure 4-1. This structure was chosen to protect the input transistors against many, but not all, overvoltage conditions and to minimize the Input Bias ( $I_B$ ) current.



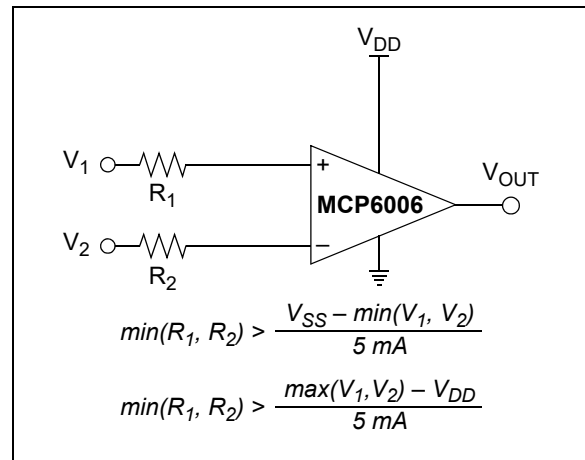
**FIGURE 4-1:** Simplified Analog Input ESD Structures.

The input ESD diodes clamp the inputs when they try to go more than one diode drop below  $V_{SS}$ . They also clamp any voltages that go well above  $V_{DD}$ ; their breakdown voltage is high enough to allow normal operation. At 0.5V above  $V_{DD}$  or below  $V_{SS}$ , the input currents are typically less than 5 mA. Very fast ESD events that meet the specification are limited so that damage does not occur.

#### 4.1.3 INPUT CURRENT LIMITS

In order to prevent damage and/or improper operation of the amplifier, the circuit must limit the currents into the input pins (see Section 1.1, Absolute Maximum Ratings†).

Figure 4-2 shows one approach to protecting these inputs. The resistors,  $R_1$  and  $R_2$ , limit the possible currents in or out of the input pins through the ESD diodes to either  $V_{DD}$  or  $V_{SS}$ .



**FIGURE 4-2:** Protecting the Analog Inputs.

# MCP6006/6R/6U/7/9

## 4.1.4 NORMAL OPERATION

The input stage of the MCP6006/6R/6U/7/9 op amp uses two differential input stages in parallel. One operates at a low Common-Mode Input Voltage ( $V_{CM}$ ), while the other operates at a high  $V_{CM}$ . With this topology, the device operates with a  $V_{CM}$  of up to 300 mV above  $V_{DD}$  and 300 mV below  $V_{SS}$ . The input offset voltage is measured at  $V_{CM} = V_{SS} - 0.3V$  and  $V_{DD} + 0.3V$  to ensure proper operation.

The transition between the input stages occurs when  $V_{CM}$  is near  $V_{DD} - 0.9V$  (see Figures 2-3 and 2-4). For the best distortion performance and gain linearity with noninverting gains, avoid this region of operation.

## 4.2 Rail-to-Rail Output

The output voltage range of the MCP6006/6R/6U/7/9 op amp is 0.006V (typical) and 5.494V (typical) when  $R_L = 10\text{ k}\Omega$  is connected to  $V_{DD}/2$  and  $V_{DD} = 5.5V$ . Refer to Figures 2-16 and 2-17 for more information.

## 4.3 Start-up

The MCP6006/6R/6U/7/9 family of parts quickly controls the output when power ( $V_{DD}$ ) is initially applied to the device (start-up). Bypass capacitors are removed during the start-up testing to minimize inrush currents (see Figure 4-3). When the op amp is controlled and is off, the output impedance is high and  $V_{OUT}$  is  $V_L$  or 1V. When the op amp turns on, the output becomes low-impedance and  $V_{OUT}$  follows the input sine wave; this is used as the start-up time.

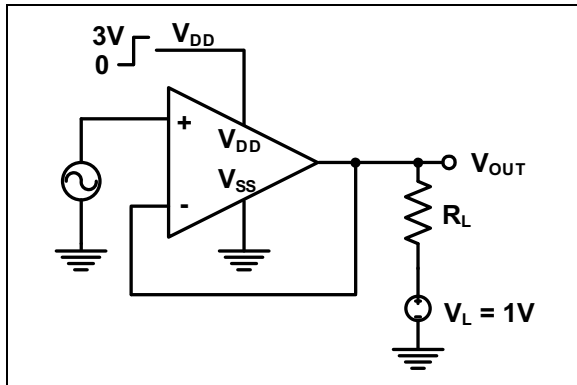


FIGURE 4-3: Start-up Test Circuit.

Figure 4-4 shows the output voltage for the MCP6007 and a similar op amp from a competitor, while Figure 4-5 shows the inrush current. When power is first applied to the MCP6007, the output is turned off (Point B) and driven by the load. After 6  $\mu\text{s}$ , the output is turned on (Point C) and  $V_{OUT}$  follows the input sine wave. Meanwhile, the competitor's output is uncontrolled during the first 4  $\mu\text{s}$  (Point A) and has some distortion on the output (Point D) prior to turning on after 50  $\mu\text{s}$  (Point E).

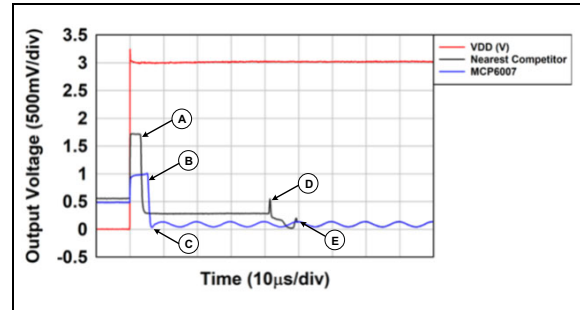


FIGURE 4-4: Start-up Time Voltages.

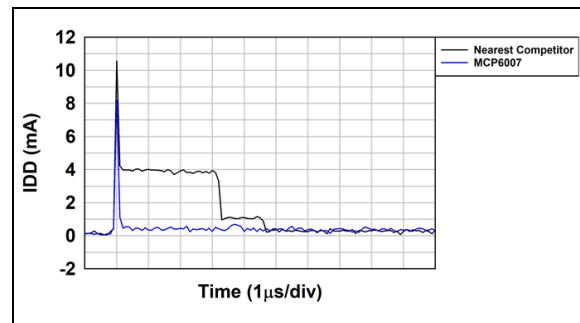


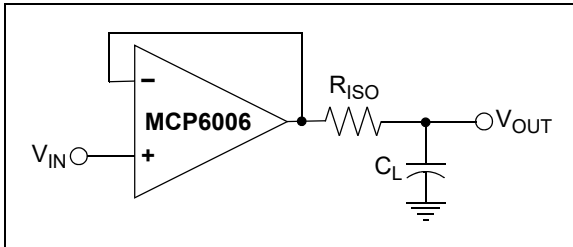
FIGURE 4-5:  $I_{DD}$  During Start-up.



## 4.4 Capacitive Loads

Driving large capacitive loads can cause stability problems for voltage feedback op amps. As the load capacitance increases, the feedback loop's phase margin decreases and the closed-loop bandwidth is reduced. This produces gain peaking in the frequency response, with overshoot and ringing in the step response. While a unity gain buffer ( $G = +1$  V/V) is the most sensitive to the capacitive loads, all gains show the same general behavior.

When driving large capacitive loads with the MCP6006/6R/6U/7/9 op amp, a small series resistor at the output ( $R_{ISO}$  in Figure 4-6) improves the feedback loop's phase margin (stability) by making the output load resistive at higher frequencies. The bandwidth will be generally lower than the bandwidth with no capacitance load.



**FIGURE 4-6:** Output Resistor,  $R_{ISO}$ , Stabilizes Large Capacitive Loads.

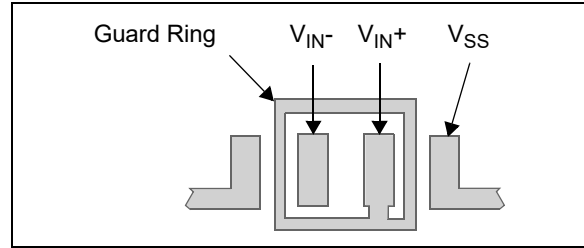
## 4.5 Supply Bypass

The MCP6006/6R/6U/7/9 op amp's power supply pin ( $V_{DD}$  for single-supply) should have a local bypass capacitor (i.e., 0.01  $\mu$ F to 0.1  $\mu$ F) within 2 mm for good high-frequency performance. It can use a bulk capacitor (i.e., 1  $\mu$ F or larger) within 100 mm to provide large, slow currents. This bulk capacitor can be shared with other analog parts.

## 4.6 PCB Surface Leakage

In applications where low input bias current is critical, Printed Circuit Board (PCB) surface leakage effects need to be considered. Surface leakage is caused by humidity, dust or other contamination on the board. Under low humidity conditions, a typical resistance between nearby traces is  $10^{12}\Omega$ . A 5V difference would cause 5 pA of current to flow, which is greater than the MCP6006/6R/6U/7/9's bias current at +25°C ( $\pm 1$  pA, typical).

The easiest way to reduce surface leakage is to use a guard ring around sensitive pins (or traces). The guard ring is biased at the same voltage as the sensitive pin. An example of this type of layout is shown in Figure 4-7.

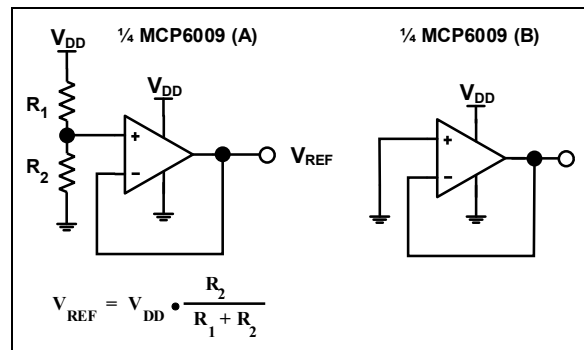


**FIGURE 4-7:** Example Guard Ring Layout for Inverting Gain.

1. Noninverting Gain and Unity Gain Buffer:
  - a) Connect the noninverting pin ( $V_{IN+}$ ) to the input with a wire that does not touch the PCB surface.
  - b) Connect the guard ring to the inverting input pin ( $V_{IN-}$ ). This biases the guard ring to the Common-mode input voltage.
2. Inverting Gain and Transimpedance Gain Amplifiers (convert current to voltage, such as photo detectors):
  - a) Connect the guard ring to the noninverting input pin ( $V_{IN+}$ ). This biases the guard ring to the same reference voltage as the op amp (e.g.,  $V_{DD}/2$  or ground).
  - b) Connect the inverting pin ( $V_{IN-}$ ) to the input with a wire that does not touch the PCB surface.

## 4.7 Unused Op Amps

An unused op amp in a dual (MCP6007) or quad (MCP6009) package should be configured as shown in Figure 4-8. These circuits prevent the output from toggling and causing crosstalk. Circuit A sets the op amp at its minimum noise gain. The resistor divider produces any desired reference voltage within the output voltage range of the op amp; the op amp buffers that reference voltage. Circuit B uses the minimum number of components.



**FIGURE 4-8:** Unused Op Amps.

# MCP6006/6R/6U/7/9

## 4.8 Electromagnetic Interference Rejection Ratio (EMIRR) Definitions

The Electromagnetic Interference (EMI) is the disturbance that affects an electrical circuit due to either electromagnetic induction or electromagnetic radiation emitted from an external source.

The parameter which describes the EMI robustness of an op amp is the Electromagnetic Interference Rejection Ratio (EMIRR). It quantitatively describes the effect that an RF interfering signal has on op amp performance. Internal passive filters make EMIRR better compared with older parts. This means that with good PCB layout techniques, your EMC performance should be better.

EMIRR is defined as:

### EQUATION 4-1:

$$EMIRR(dB) = 20 \cdot \log\left(\frac{V_{RF}}{\Delta V_{OS}}\right)$$

Where:

- $V_{RF}$  = Peak Amplitude of RF Interfering Signal ( $V_{PK}$ )
- $\Delta V_{OS}$  = Input Offset Voltage Shift (V)

## 4.9 Application Circuits

### 4.9.1 CARBON MONOXIDE GAS SENSOR

A Carbon Monoxide (CO) gas detector is a device that detects the presence of carbon monoxide gas. Usually this is battery powered and transmits audible and visible warnings.

The sensor responds to CO gas by reducing its resistance proportionally to the amount of CO present in the air exposed to the internal element. On the sensor module, this variable is part of a voltage divider formed by the internal element and potentiometer  $R_1$ . The output of this voltage divider is fed into the noninverting inputs of the MCP6006 op amp. The device is configured as a buffer with unity gain and is used to provide a nonloaded test point for sensor sensitivity.

Because this sensor can be corrupted by parasitic electromagnetic signals, the MCP6006 op amp can be used for conditioning this sensor.

In Figure 4-9, the variable resistor is used to calibrate the sensor in different environments.

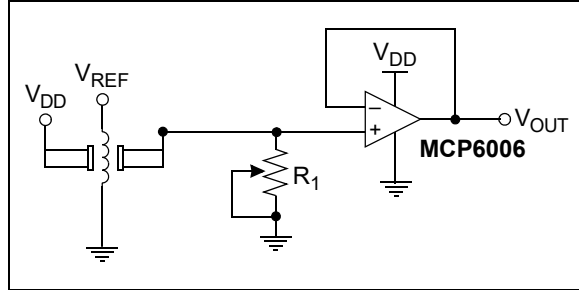


FIGURE 4-9: CO Gas Sensor Circuit.

### 4.9.2 PRESSURE SENSOR AMPLIFIER

The MCP6006/6R/6U/7/9 is well-suited for conditioning sensor signals in battery-powered applications. Many sensors are configured as Wheatstone bridges. Strain gauges and pressure sensors are two common examples.

Figure 4-10 shows a strain gauge amplifier, using the MCP6006/6R/6U/7/9 Enhanced EMI protection device. The difference amplifier with EMI robustness op amp is used to amplify the signal from the Wheatstone bridge. The two op amps, configured as buffers and connected at outputs of pressure sensors, prevent resistive loading of the bridge by resistors,  $R_1$  and  $R_2$ . Resistors,  $R_1$ ,  $R_2$  and  $R_3$ ,  $R_5$ , need to be chosen with very low tolerance to match the CMRR.

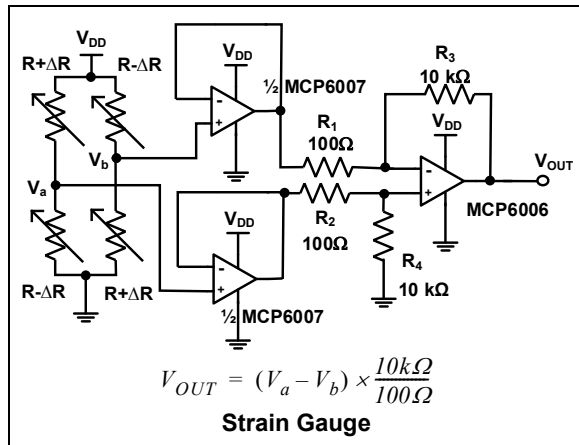


FIGURE 4-10: Pressure Sensor Amplifier.

## 5.0 DESIGN AIDS

Microchip provides the basic design tools needed for the MCP6006/6R/6U/7/9 op amp.

### 5.1 Microchip Advanced Part Selector (MAPS)

MAPS is a software tool that helps semiconductor professionals efficiently identify the Microchip devices that fit a particular design requirement. Available at no cost from the Microchip website at [www.microchip.com/maps](http://www.microchip.com/maps), MAPS is an overall selection tool for Microchip's product portfolio that includes Analog, Memory, MCUs and DSCs. Using this tool, you can define a filter to sort features for a parametric search of devices and export side-by-side technical comparison reports. Helpful links are also provided for data sheets, purchase and sampling of Microchip parts.

### 5.2 Analog Demonstration and Evaluation Boards

Microchip offers a broad spectrum of Analog Demonstration and Evaluation Boards that are designed to help you achieve faster time to market. For a complete listing of these boards and their corresponding user's guides and technical information, visit the Microchip website at: [www.microchipdirect.com](http://www.microchipdirect.com).

Some boards that are especially useful are:

- MCP6XXX Amplifier Evaluation Board 2 (P/N DS51668)
- MCP6XXX Amplifier Evaluation Board 3 (P/N DS51673)
- 8-Pin SOIC/MSOP/TSSOP/DIP Evaluation Board (P/N SOIC8EV)
- 5/6-Pin SOT-23 Evaluation Board (P/N VSUPEV2)
- 14-Pin SOIC/TSSOP/DIP Evaluation Board (P/N SOIC14EV)

## 5.3 Application Notes

The following Microchip Analog Design Notes and Application Notes are available on the Microchip website at [www.microchip.com/appnotes](http://www.microchip.com/appnotes) and are recommended as supplemental reference resources:

- **ADN003** – “*Select the Right Operational Amplifier for your Filtering Circuits*”, Microchip Technology Inc. ([DS21821](#))
- **AN722** – “*Operational Amplifier Topologies and DC Specifications*”, Microchip Technology Inc. ([DS00722](#))
- **AN723** – “*Operational Amplifier AC Specifications and Applications*”, Microchip Technology Inc. ([DS00723](#))
- **AN884** – “*Driving Capacitive Loads With Op Amps*”, Microchip Technology Inc. ([DS00884](#))
- **AN990** – “*Analog Sensor Conditioning Circuits – An Overview*”, Microchip Technology Inc. ([DS00990](#))
- **AN1177** – “*Op Amp Precision Design: DC Errors*”, Microchip Technology Inc. ([DS01177](#))
- **AN1228** – “*Op Amp Precision Design: Random Noise*”, Microchip Technology Inc. ([DS01228](#))
- **AN1258** – “*Op Amp Precision Design: PCB Layout Techniques*”, Microchip Technology Inc. ([DS01258](#)).

These application notes and others are listed in the design guide:

- “*Signal Chain Design Guide*”, Microchip Technology inc. ([DS21825](#)).

# MCP6006/6R/6U/7/9

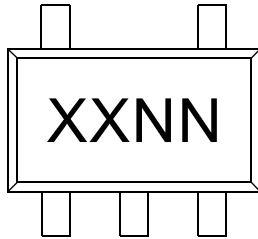
---

NOTES:

## 6.0 PACKAGING INFORMATION

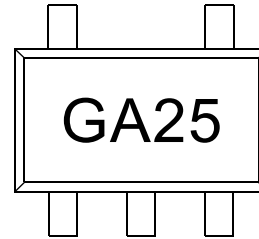
### 6.1 Package Marking Information

5-Lead SC70 (MCP6006/6U)

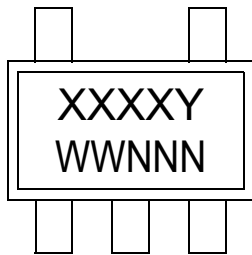


| Device   | Marking |
|----------|---------|
| MCP6006  | GANN    |
| MCP6006U | GFNN    |

Example



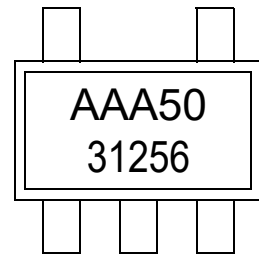
5-Lead SOT-23 (MCP6006/6U/6R)



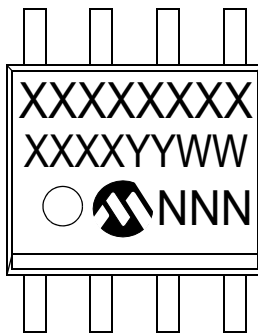
| Device   | Marking |
|----------|---------|
| MCP6006  | AAA5    |
| MCP6006U | AAA6    |
| MCP6006R | AAA7    |

**Note:** Applies to 5-Lead SOT-23.

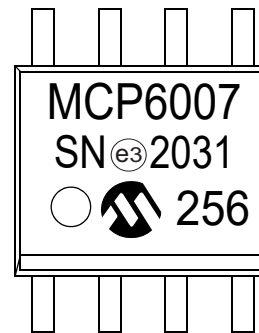
Example:



8-Lead SOIC (MCP6007)



Example:



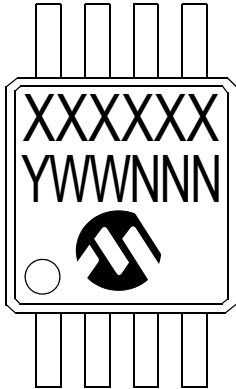
|                |        |  |
|----------------|--------|--|
| <b>Legend:</b> | XX...X | Customer-specific information  |
|                | Y      | Year code (last digit of calendar year)  |
|                | YY     | Year code (last 2 digits of calendar year)   |
|                | WW     | Week code (week of January 1 is week '01')   |
|                | NNN    | Alphanumeric traceability code   |
|                | ⓔ3     | Pb-free JEDEC designator for Matte Tin (Sn)  |
|                | *      | This package is Pb-free. The Pb-free JEDEC designator (ⓔ3) can be found on the outer packaging for this package. |

**Note:** In the event the full Microchip part number cannot be marked on one line, it will be carried over to the next line, thus limiting the number of available characters for customer-specific information.

# MCP6006/6R/6U/7/9

## Package Marking Information (Continued)

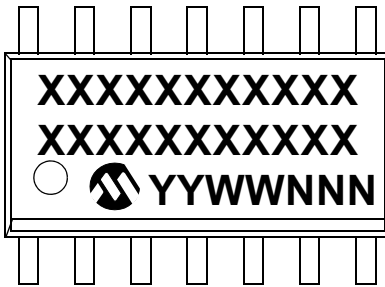
8-Lead MSOP (MCP6007)



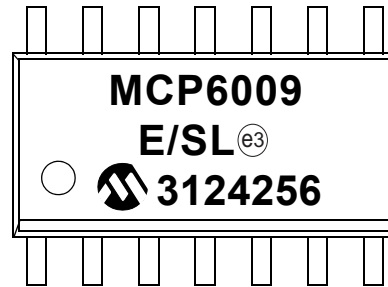
Example:



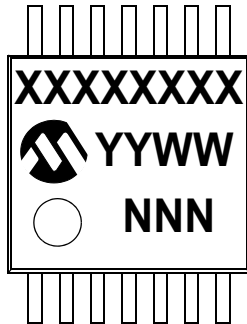
14-Lead SOIC (MCP6009)



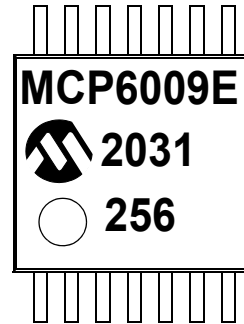
Example:



14-Lead TSSOP (MCP6009)

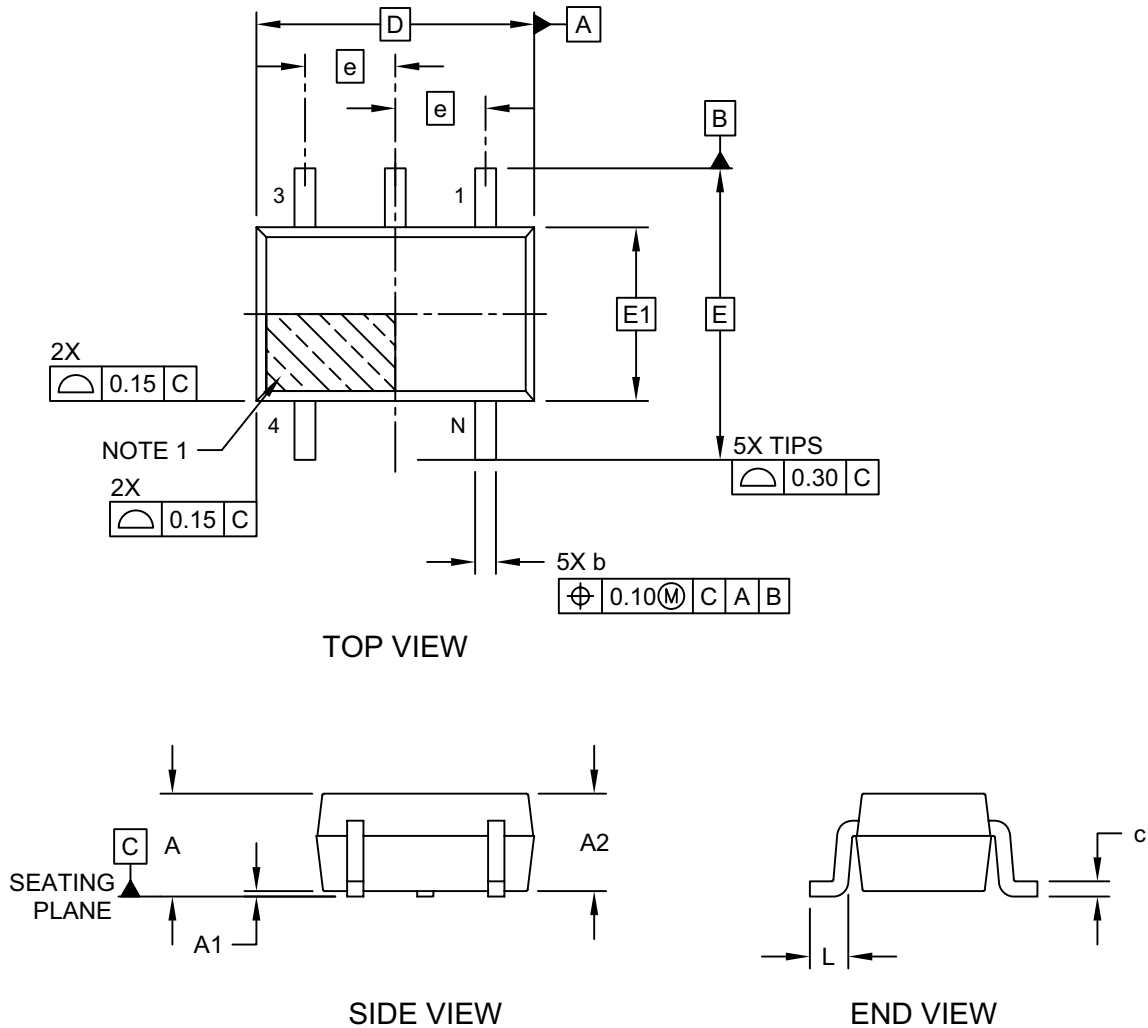


Example:



## 5-Lead Plastic Small Outline Transistor (LT) [SC70]

**Note:** For the most current package drawings, please see the Microchip Packaging Specification located at <http://www.microchip.com/packaging>

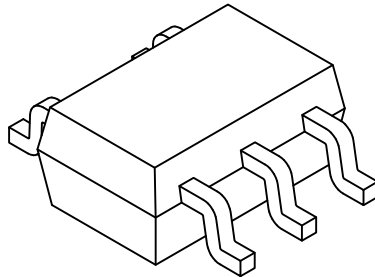


Microchip Technology Drawing C04-061-LT Rev E Sheet 1 of 2

# MCP6006/6R/6U/7/9

## 5-Lead Plastic Small Outline Transistor (LT) [SC70]

**Note:** For the most current package drawings, please see the Microchip Packaging Specification located at <http://www.microchip.com/packaging>



| Dimension Limits         | Units | MILLIMETERS |      |      |
|--------------------------|-------|-------------|------|------|
|                          |       | MIN         | NOM  | MAX  |
| Number of Pins           | N     | 5           |      |      |
| Pitch                    | e     | 0.65 BSC    |      |      |
| Overall Height           | A     | 0.80        | -    | 1.10 |
| Standoff                 | A1    | 0.00        | -    | 0.10 |
| Molded Package Thickness | A2    | 0.80        | -    | 1.00 |
| Overall Length           | D     | 2.00 BSC    |      |      |
| Overall Width            | E     | 2.10 BSC    |      |      |
| Molded Package Width     | E1    | 1.25 BSC    |      |      |
| Terminal Width           | b     | 0.15        | -    | 0.40 |
| Terminal Length          | L     | 0.10        | 0.20 | 0.46 |
| Lead Thickness           | c     | 0.08        | -    | 0.26 |

**Notes:**

1. Pin 1 visual index feature may vary, but must be located within the hatched area.
2. Dimensions D and E1 do not include mold flash or protrusions. Mold flash or protrusions shall not exceed 0.15mm per side.
3. Dimensioning and tolerancing per ASME Y14.5M

BSC: Basic Dimension. Theoretically exact value shown without tolerances.

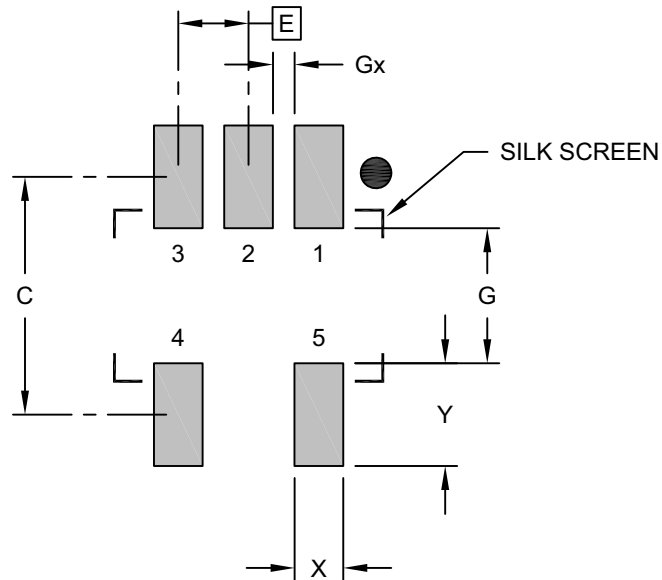
REF: Reference Dimension, usually without tolerance, for information purposes only.

Microchip Technology Drawing C04-061-LT Rev E Sheet 2 of 2



## 5-Lead Plastic Small Outline Transistor (LT) [SC70]

**Note:** For the most current package drawings, please see the Microchip Packaging Specification located at <http://www.microchip.com/packaging>



### RECOMMENDED LAND PATTERN

| Dimension Limits      | Units | MILLIMETERS |      |      |
|-----------------------|-------|-------------|------|------|
|                       |       | MIN         | NOM  | MAX  |
| Contact Pitch         | E     | 0.65 BSC    |      |      |
| Contact Pad Spacing   | C     |             | 2.20 |      |
| Contact Pad Width     | X     |             |      | 0.45 |
| Contact Pad Length    | Y     |             |      | 0.95 |
| Distance Between Pads | G     | 1.25        |      |      |
| Distance Between Pads | Gx    | 0.20        |      |      |

**Notes:**

1. Dimensioning and tolerancing per ASME Y14.5M

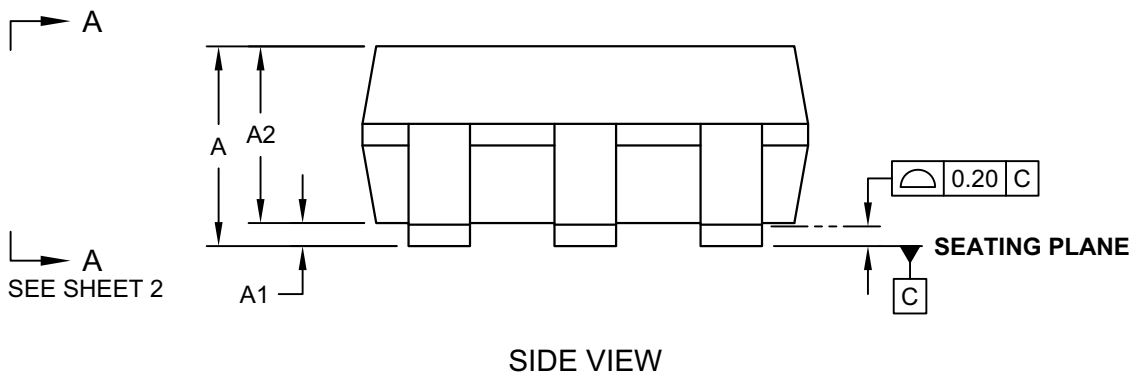
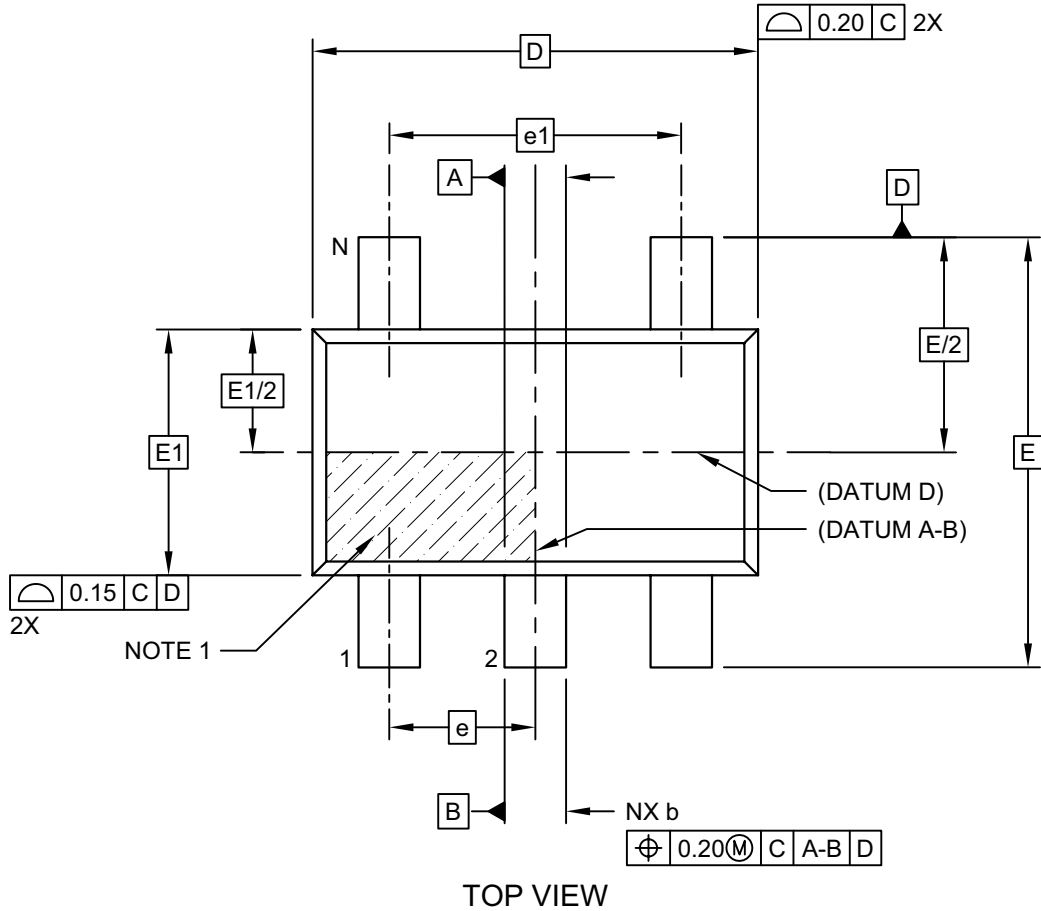
BSC: Basic Dimension. Theoretically exact value shown without tolerances.

Microchip Technology Drawing No. C04-2061-LT Rev E

# MCP6006/6R/6U/7/9

## 5-Lead Plastic Small Outline Transistor (OT) [SOT23]

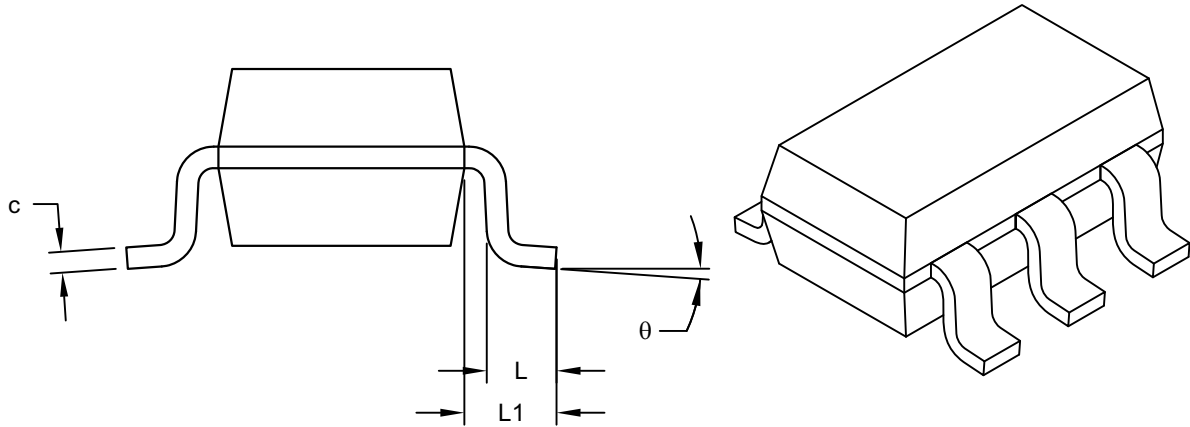
**Note:** For the most current package drawings, please see the Microchip Packaging Specification located at <http://www.microchip.com/packaging>



Microchip Technology Drawing C04-091-OT Rev F Sheet 1 of 2

## 5-Lead Plastic Small Outline Transistor (OT) [SOT23]

**Note:** For the most current package drawings, please see the Microchip Packaging Specification located at <http://www.microchip.com/packaging>



VIEW A-A  
SHEET 1

| Dimension Limits         | Units | MILLIMETERS |     |      |
|--------------------------|-------|-------------|-----|------|
|                          |       | MIN         | NOM | MAX  |
| Number of Pins           | N     | 5           |     |      |
| Pitch                    | e     | 0.95 BSC    |     |      |
| Outside lead pitch       | e1    | 1.90 BSC    |     |      |
| Overall Height           | A     | 0.90        | -   | 1.45 |
| Molded Package Thickness | A2    | 0.89        | -   | 1.30 |
| Standoff                 | A1    | -           | -   | 0.15 |
| Overall Width            | E     | 2.80 BSC    |     |      |
| Molded Package Width     | E1    | 1.60 BSC    |     |      |
| Overall Length           | D     | 2.90 BSC    |     |      |
| Foot Length              | L     | 0.30        | -   | 0.60 |
| Footprint                | L1    | 0.60 REF    |     |      |
| Foot Angle               | φ     | 0°          | -   | 10°  |
| Lead Thickness           | c     | 0.08        | -   | 0.26 |
| Lead Width               | b     | 0.20        | -   | 0.51 |

**Notes:**

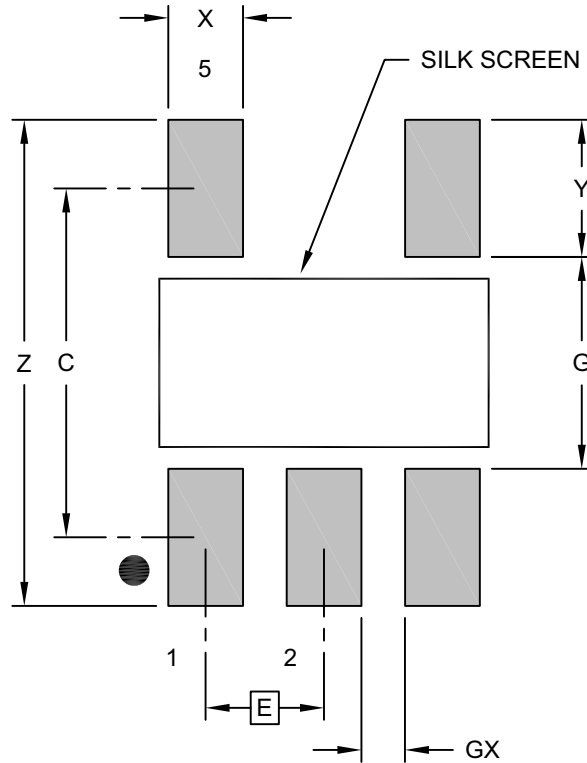
- Dimensions D and E1 do not include mold flash or protrusions. Mold flash or protrusions shall not exceed 0.25mm per side.
- Dimensioning and tolerancing per ASME Y14.5M  
BSC: Basic Dimension. Theoretically exact value shown without tolerances.  
REF: Reference Dimension, usually without tolerance, for information purposes only.

Microchip Technology Drawing C04-091-OT Rev F Sheet 2 of 2

# MCP6006/6R/6U/7/9

## 5-Lead Plastic Small Outline Transistor (OT) [SOT23]

**Note:** For the most current package drawings, please see the Microchip Packaging Specification located at <http://www.microchip.com/packaging>



RECOMMENDED LAND PATTERN

| Dimension Limits        | Units | MILLIMETERS |      |      |
|-------------------------|-------|-------------|------|------|
|                         |       | MIN         | NOM  | MAX  |
| Contact Pitch           | E     | 0.95 BSC    |      |      |
| Contact Pad Spacing     | C     |             | 2.80 |      |
| Contact Pad Width (X5)  | X     |             |      | 0.60 |
| Contact Pad Length (X5) | Y     |             |      | 1.10 |
| Distance Between Pads   | G     | 1.70        |      |      |
| Distance Between Pads   | GX    | 0.35        |      |      |
| Overall Width           | Z     |             |      | 3.90 |

Notes:

1. Dimensioning and tolerancing per ASME Y14.5M

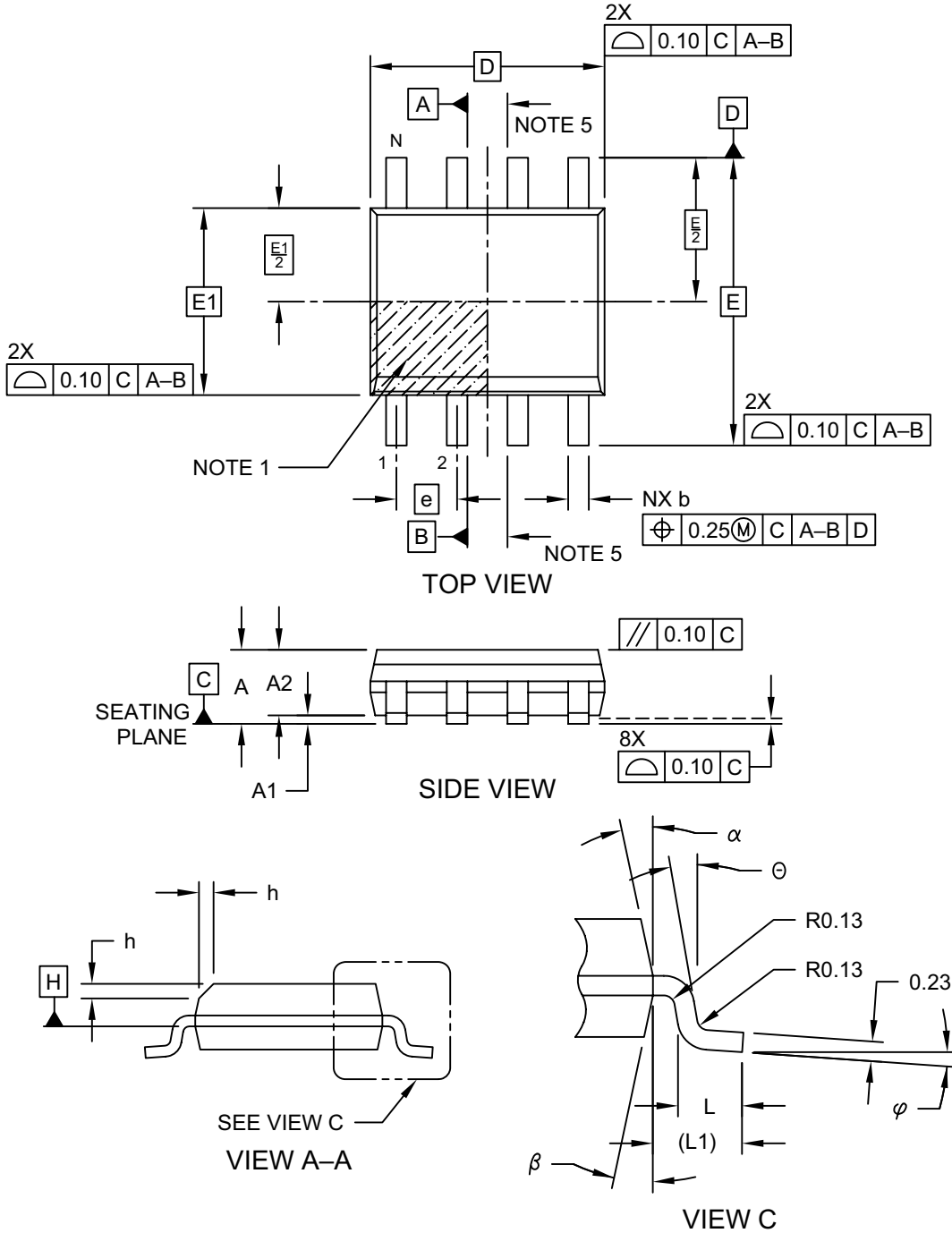
BSC: Basic Dimension. Theoretically exact value shown without tolerances.

Microchip Technology Drawing No. C04-2091-OT Rev F

# MCP6006/6R/6U/7/9

## 8-Lead Plastic Small Outline (SN) - Narrow, 3.90 mm (.150 In.) Body [SOIC]

**Note:** For the most current package drawings, please see the Microchip Packaging Specification located at <http://www.microchip.com/packaging>

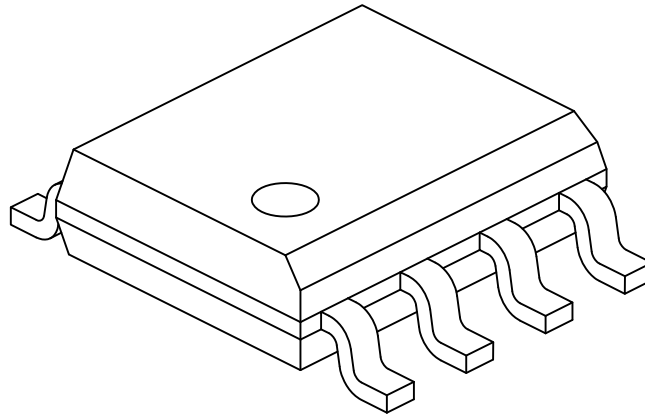


Microchip Technology Drawing No. C04-057-SN Rev F Sheet 1 of 2

# MCP6006/6R/6U/7/9

## 8-Lead Plastic Small Outline (SN) - Narrow, 3.90 mm (.150 In.) Body [SOIC]

**Note:** For the most current package drawings, please see the Microchip Packaging Specification located at <http://www.microchip.com/packaging>



| Dimension Limits         | Units     | MILLIMETERS |     |      |
|--------------------------|-----------|-------------|-----|------|
|                          |           | MIN         | NOM | MAX  |
| Number of Pins           | N         | 8           |     |      |
| Pitch                    | e         | 1.27 BSC    |     |      |
| Overall Height           | A         | -           | -   | 1.75 |
| Molded Package Thickness | A2        | 1.25        | -   | -    |
| Standoff §               | A1        | 0.10        | -   | 0.25 |
| Overall Width            | E         | 6.00 BSC    |     |      |
| Molded Package Width     | E1        | 3.90 BSC    |     |      |
| Overall Length           | D         | 4.90 BSC    |     |      |
| Chamfer (Optional)       | h         | 0.25        | -   | 0.50 |
| Foot Length              | L         | 0.40        | -   | 1.27 |
| Footprint                | L1        | 1.04 REF    |     |      |
| Foot Angle               | $\varphi$ | 0°          | -   | 8°   |
| Lead Thickness           | c         | 0.17        | -   | 0.25 |
| Lead Width               | b         | 0.31        | -   | 0.51 |
| Mold Draft Angle Top     | $\alpha$  | 5°          | -   | 15°  |
| Mold Draft Angle Bottom  | $\beta$   | 5°          | -   | 15°  |

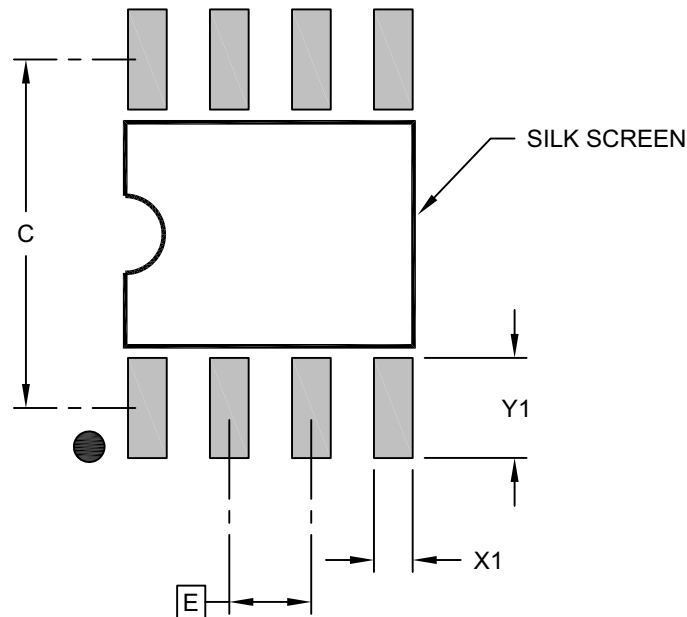
**Notes:**

1. Pin 1 visual index feature may vary, but must be located within the hatched area.
2. § Significant Characteristic
3. Dimensions D and E1 do not include mold flash or protrusions. Mold flash or protrusions shall not exceed 0.15mm per side.
4. Dimensioning and tolerancing per ASME Y14.5M  
BSC: Basic Dimension. Theoretically exact value shown without tolerances.  
REF: Reference Dimension, usually without tolerance, for information purposes only.
5. Datums A & B to be determined at Datum H.

Microchip Technology Drawing No. C04-057-SN Rev F Sheet 2 of 2

## 8-Lead Plastic Small Outline (SN) - Narrow, 3.90 mm (.150 In.) Body [SOIC]

**Note:** For the most current package drawings, please see the Microchip Packaging Specification located at <http://www.microchip.com/packaging>



RECOMMENDED LAND PATTERN

| Dimension Limits        | Units | MILLIMETERS |      |      |
|-------------------------|-------|-------------|------|------|
|                         |       | MIN         | NOM  | MAX  |
| Contact Pitch           | E     | 1.27 BSC    |      |      |
| Contact Pad Spacing     | C     |             | 5.40 |      |
| Contact Pad Width (X8)  | X1    |             |      | 0.60 |
| Contact Pad Length (X8) | Y1    |             |      | 1.55 |

Notes:

1. Dimensioning and tolerancing per ASME Y14.5M

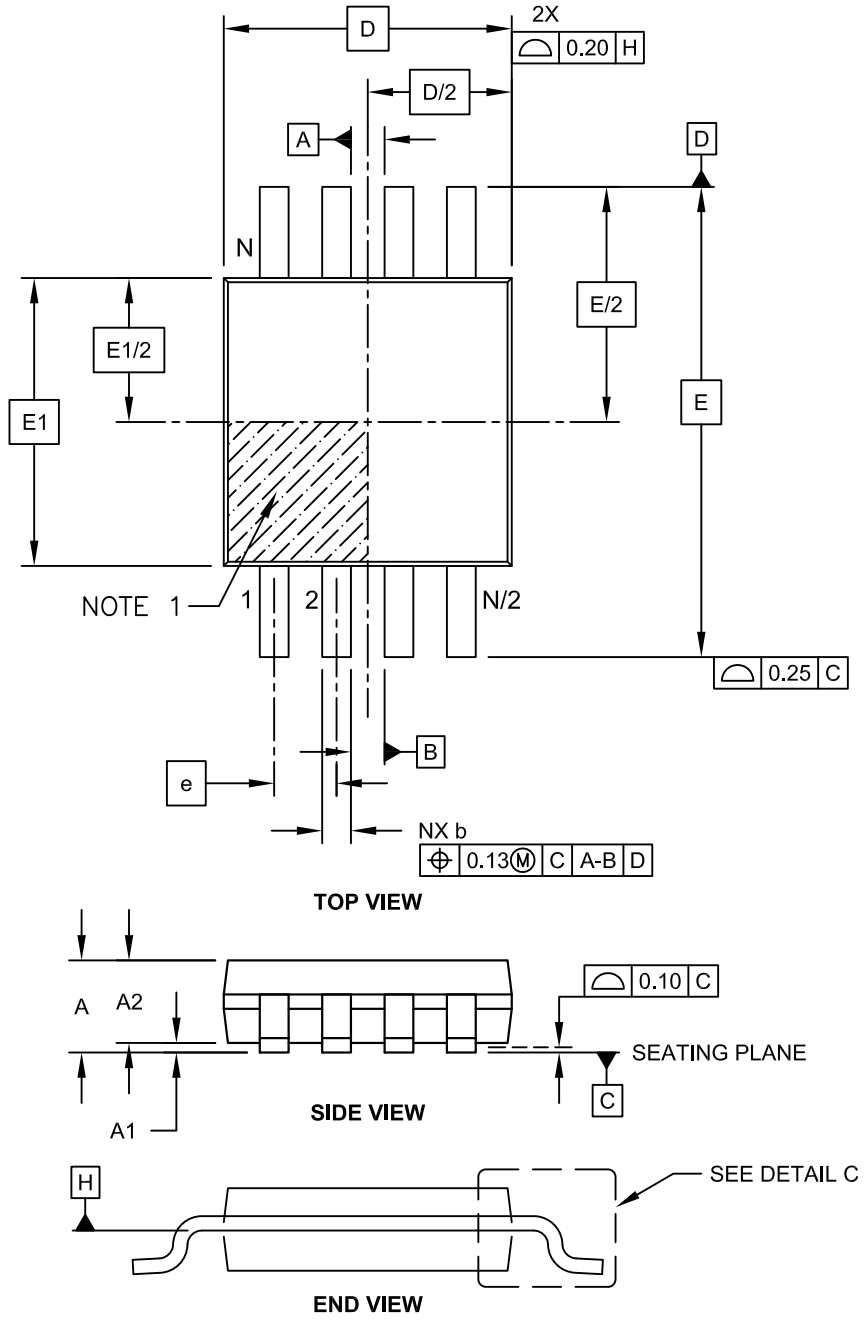
BSC: Basic Dimension. Theoretically exact value shown without tolerances.

Microchip Technology Drawing C04-2057-SN Rev F

# MCP6006/6R/6U/7/9

## 8-Lead Plastic Micro Small Outline Package (MS) [MSOP]

**Note:** For the most current package drawings, please see the Microchip Packaging Specification located at <http://www.microchip.com/packaging>

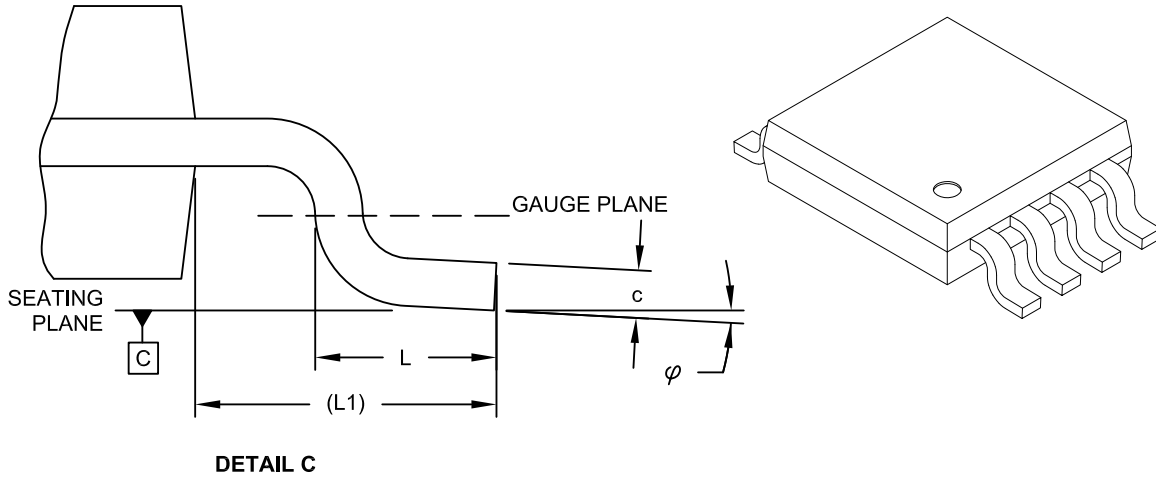


Microchip Technology Drawing C04-111C Sheet 1 of 2



## 8-Lead Plastic Micro Small Outline Package (MS) [MSOP]

**Note:** For the most current package drawings, please see the Microchip Packaging Specification located at <http://www.microchip.com/packageing>



| Dimension Limits         | Units | MILLIMETERS |      |      |
|--------------------------|-------|-------------|------|------|
|                          |       | MIN         | NOM  | MAX  |
| Number of Pins           | N     |             | 8    |      |
| Pitch                    | e     | 0.65 BSC    |      |      |
| Overall Height           | A     | -           | -    | 1.10 |
| Molded Package Thickness | A2    | 0.75        | 0.85 | 0.95 |
| Standoff                 | A1    | 0.00        | -    | 0.15 |
| Overall Width            | E     | 4.90 BSC    |      |      |
| Molded Package Width     | E1    | 3.00 BSC    |      |      |
| Overall Length           | D     | 3.00 BSC    |      |      |
| Foot Length              | L     | 0.40        | 0.60 | 0.80 |
| Footprint                | L1    | 0.95 REF    |      |      |
| Foot Angle               | φ     | 0°          | -    | 8°   |
| Lead Thickness           | c     | 0.08        | -    | 0.23 |
| Lead Width               | b     | 0.22        | -    | 0.40 |

**Notes:**

- Pin 1 visual index feature may vary, but must be located within the hatched area.
- Dimensions D and E1 do not include mold flash or protrusions. Mold flash or protrusions shall not exceed 0.15mm per side.
- Dimensioning and tolerancing per ASME Y14.5M.

BSC: Basic Dimension. Theoretically exact value shown without tolerances.

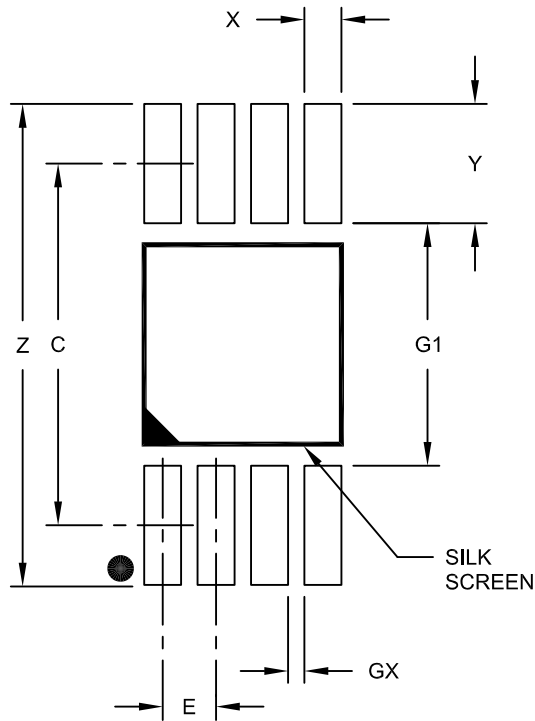
REF: Reference Dimension, usually without tolerance, for information purposes only.

Microchip Technology Drawing C04-111C Sheet 2 of 2

# MCP6006/6R/6U/7/9

## 8-Lead Plastic Micro Small Outline Package (MS) [MSOP]

**Note:** For the most current package drawings, please see the Microchip Packaging Specification located at <http://www.microchip.com/packaging>



RECOMMENDED LAND PATTERN

| Dimension Limits        | Units | MILLIMETERS |      |      |
|-------------------------|-------|-------------|------|------|
|                         |       | MIN         | NOM  | MAX  |
| Contact Pitch           | E     | 0.65 BSC    |      |      |
| Contact Pad Spacing     | C     |             | 4.40 |      |
| Overall Width           | Z     |             |      | 5.85 |
| Contact Pad Width (X8)  | X1    |             |      | 0.45 |
| Contact Pad Length (X8) | Y1    |             |      | 1.45 |
| Distance Between Pads   | G1    | 2.95        |      |      |
| Distance Between Pads   | GX    | 0.20        |      |      |

Notes:

1. Dimensioning and tolerancing per ASME Y14.5M

BSC: Basic Dimension. Theoretically exact value shown without tolerances.

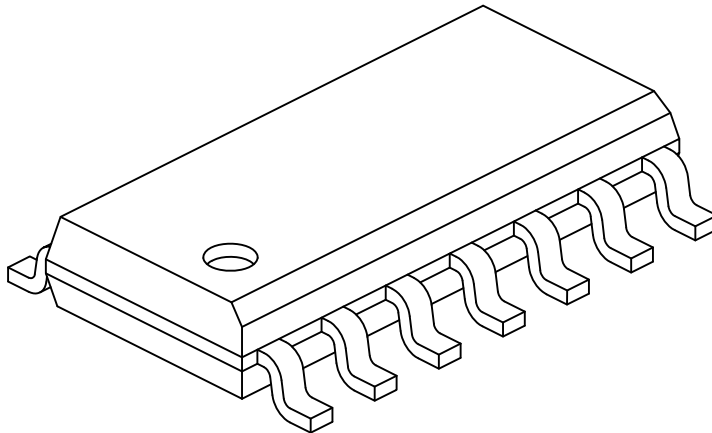
Microchip Technology Drawing No. C04-2111A



# MCP6006/6R/6U/7/9

## 14-Lead Plastic Small Outline (SL) - Narrow, 3.90 mm Body [SOIC]

**Note:** For the most current package drawings, please see the Microchip Packaging Specification located at <http://www.microchip.com/packaging>



| Dimension Limits         | Units | MILLIMETERS |     |      |
|--------------------------|-------|-------------|-----|------|
|                          |       | MIN         | NOM | MAX  |
| Number of Pins           | N     | 14          |     |      |
| Pitch                    | e     | 1.27 BSC    |     |      |
| Overall Height           | A     | -           | -   | 1.75 |
| Molded Package Thickness | A2    | 1.25        | -   | -    |
| Standoff §               | A1    | 0.10        | -   | 0.25 |
| Overall Width            | E     | 6.00 BSC    |     |      |
| Molded Package Width     | E1    | 3.90 BSC    |     |      |
| Overall Length           | D     | 8.65 BSC    |     |      |
| Chamfer (Optional)       | h     | 0.25        | -   | 0.50 |
| Foot Length              | L     | 0.40        | -   | 1.27 |
| Footprint                | L1    | 1.04 REF    |     |      |
| Lead Angle               | ∅     | 0°          | -   | -    |
| Foot Angle               | ∅     | 0°          | -   | 8°   |
| Lead Thickness           | c     | 0.10        | -   | 0.25 |
| Lead Width               | b     | 0.31        | -   | 0.51 |
| Mold Draft Angle Top     | α     | 5°          | -   | 15°  |
| Mold Draft Angle Bottom  | β     | 5°          | -   | 15°  |

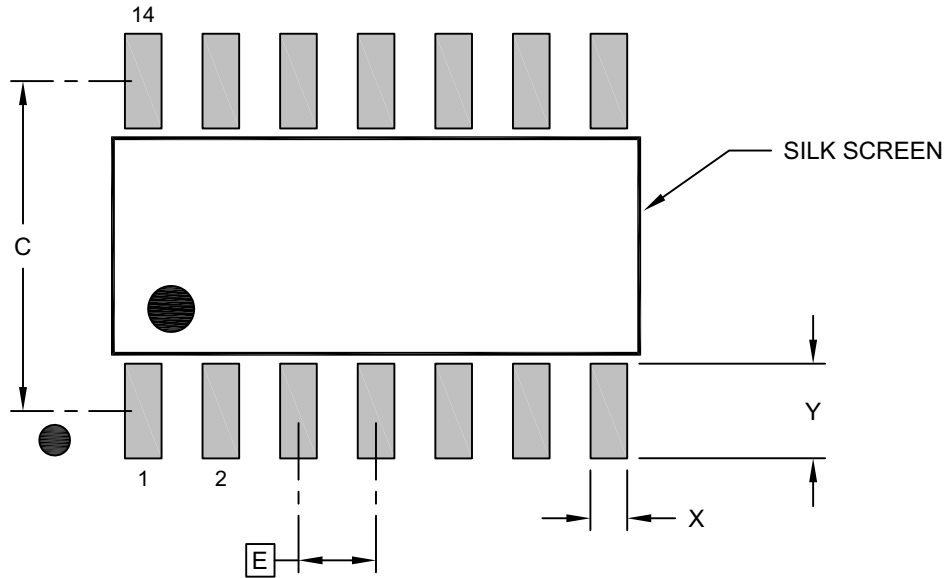
### Notes:

1. Pin 1 visual index feature may vary, but must be located within the hatched area.
2. § Significant Characteristic
3. Dimension D does not include mold flash, protrusions or gate burrs, which shall not exceed 0.15 mm per end. Dimension E1 does not include interlead flash or protrusion, which shall not exceed 0.25 mm per side.
4. Dimensioning and tolerancing per ASME Y14.5M  
BSC: Basic Dimension. Theoretically exact value shown without tolerances.  
REF: Reference Dimension, usually without tolerance, for information purposes only.
5. Datums A & B to be determined at Datum H.

Microchip Technology Drawing No. C04-065-SL Rev D Sheet 2 of 2

## 14-Lead Plastic Small Outline (SL) - Narrow, 3.90 mm Body [SOIC]

**Note:** For the most current package drawings, please see the Microchip Packaging Specification located at <http://www.microchip.com/packaging>



### RECOMMENDED LAND PATTERN

| Dimension Limits         | Units | MILLIMETERS |          |      |
|--------------------------|-------|-------------|----------|------|
|                          |       | MIN         | NOM      | MAX  |
| Contact Pitch            | E     |             | 1.27 BSC |      |
| Contact Pad Spacing      | C     |             | 5.40     |      |
| Contact Pad Width (X14)  | X     |             |          | 0.60 |
| Contact Pad Length (X14) | Y     |             |          | 1.55 |

**Notes:**

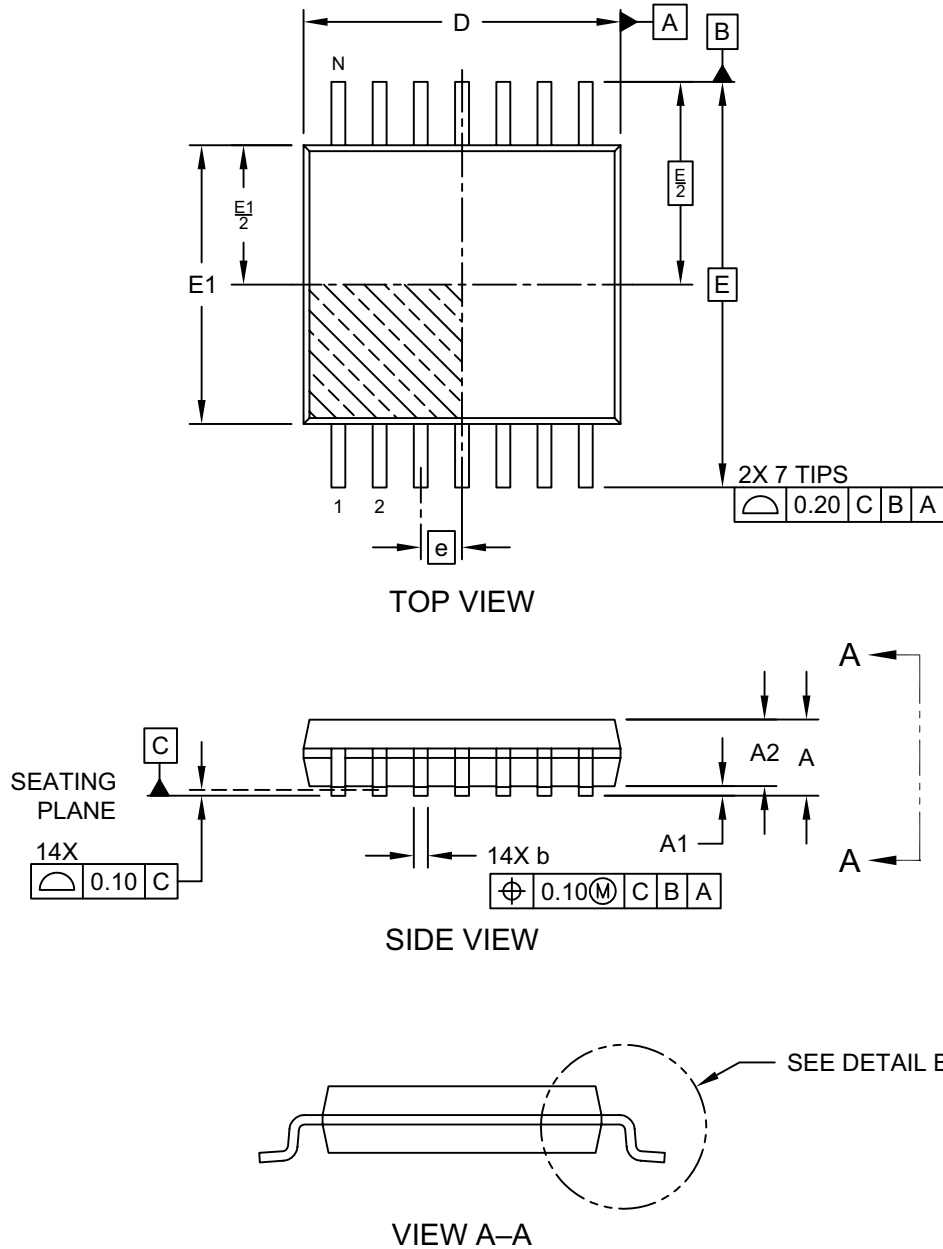
1. Dimensioning and tolerancing per ASME Y14.5M  
BSC: Basic Dimension. Theoretically exact value shown without tolerances.

Microchip Technology Drawing No. C04-2065-SL Rev D

# MCP6006/6R/6U/7/9

## 14-Lead Thin Shrink Small Outline Package [ST] 4.4 mm Body [TSSOP]

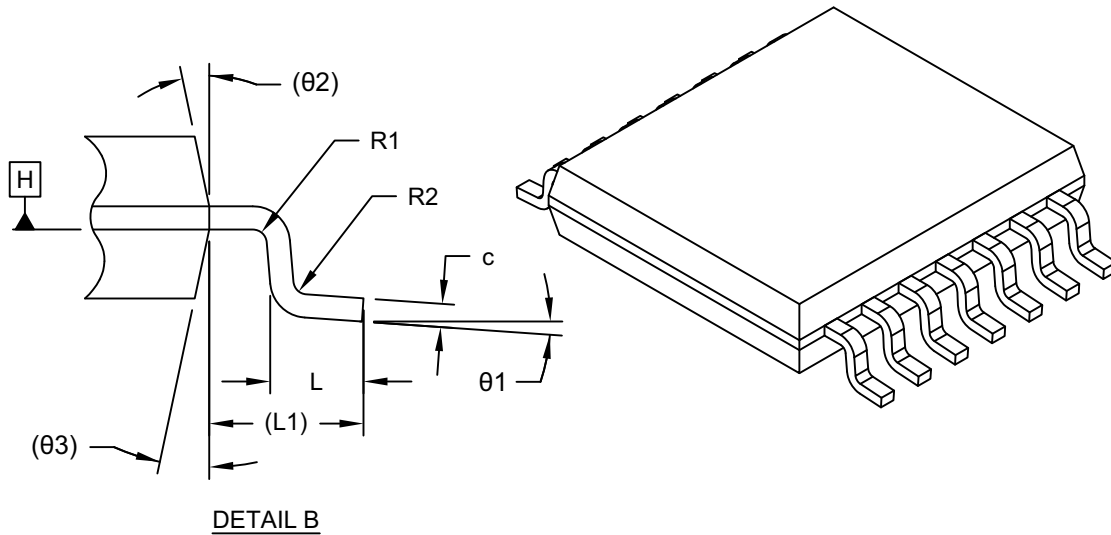
**Note:** For the most current package drawings, please see the Microchip Packaging Specification located at <http://www.microchip.com/packaging>



Microchip Technology Drawing C04-087 Rev D Sheet 1 of 2

## 14-Lead Thin Shrink Small Outline Package [ST] 4.4 mm Body [TSSOP]

**Note:** For the most current package drawings, please see the Microchip Packaging Specification located at <http://www.microchip.com/packaging>



| Dimension Limits         | Units | MILLIMETERS |         |      |
|--------------------------|-------|-------------|---------|------|
|                          |       | MIN         | NOM     | MAX  |
| Number of Terminals      | N     | 14          |         |      |
| Pitch                    | e     | 0.65 BSC    |         |      |
| Overall Height           | A     | –           | –       | 1.20 |
| Standoff                 | A1    | 0.05        | –       | 0.15 |
| Molded Package Thickness | A2    | 0.80        | 1.00    | 1.05 |
| Overall Length           | D     | 4.90        | 5.00    | 5.10 |
| Overall Width            | E     | 6.40 BSC    |         |      |
| Molded Package Width     | E1    | 4.30        | 4.40    | 4.50 |
| Terminal Width           | b     | 0.19        | –       | 0.30 |
| Terminal Thickness       | c     | 0.09        | –       | 0.20 |
| Terminal Length          | L     | 0.45        | 0.60    | 0.75 |
| Footprint                | L1    | 1.00 REF    |         |      |
| Lead Bend Radius         | R1    | 0.09        | –       | –    |
| Lead Bend Radius         | R2    | 0.09        | –       | –    |
| Foot Angle               | θ1    | 0°          | –       | 8°   |
| Mold Draft Angle         | θ2    | –           | 12° REF | –    |
| Mold Draft Angle         | θ3    | –           | 12° REF | –    |

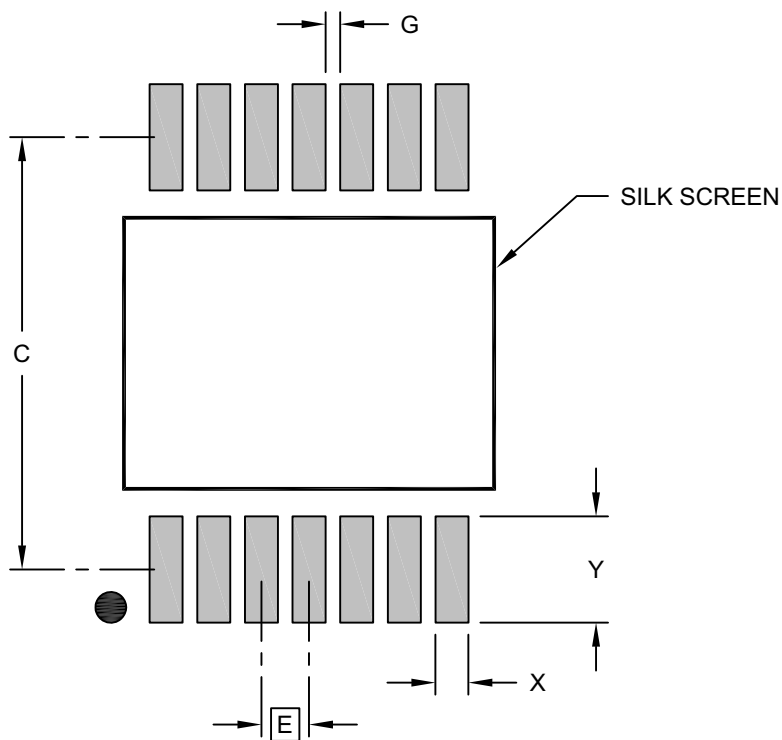
**Notes:**

- Pin 1 visual index feature may vary, but must be located within the hatched area.
- Dimensioning and tolerancing per ASME Y14.5M  
 BSC: Basic Dimension. Theoretically exact value shown without tolerances.  
 REF: Reference Dimension, usually without tolerance, for information purposes only.

# MCP6006/6R/6U/7/9

## 14-Lead Thin Shrink Small Outline Package [ST] 4.4 mm Body [TSSOP]

**Note:** For the most current package drawings, please see the Microchip Packaging Specification located at <http://www.microchip.com/packaging>



### RECOMMENDED LAND PATTERN

| Dimension Limits                 | Units | MILLIMETERS |     |      |
|----------------------------------|-------|-------------|-----|------|
|                                  |       | MIN         | NOM | MAX  |
| Contact Pitch                    | E     | 0.65 BSC    |     |      |
| Contact Pad Spacing              | C     | 5.90        |     |      |
| Contact Pad Width (Xnn)          | X     |             |     | 0.45 |
| Contact Pad Length (Xnn)         | Y     |             |     | 1.45 |
| Contact Pad to Contact Pad (Xnn) | G     | 0.20        |     |      |

**Notes:**

1. Dimensioning and tolerancing per ASME Y14.5M  
BSC: Basic Dimension. Theoretically exact value shown without tolerances.

Microchip Technology Drawing C04-2087 Rev D



## APPENDIX A: REVISION HISTORY

### Revision B (June 2021)

Below is a list of changes:

- Updated mentions of the MCP6006 device throughout the document.
- Updated [Figure 4-2](#).
- Updated [Section 6.0, Packaging Information](#).
- Updated the [Product Identification System](#) to include Automotive models.
- Minor corrections and editorial changes.

### Revision A (September 2020)

- Original Release of this Document.

# MCP6006/6R/6U/7/9

---

NOTES:

## PRODUCT IDENTIFICATION SYSTEM

To order or obtain information, e.g., on pricing or delivery, refer to the factory or the listed sales office.

| <u>PART NO.</u>   | <u>IXI</u> <sup>(1)</sup>   | <u>-X</u>                | <u>IXX</u>     | <u>XXX</u> <sup>(2)</sup> | <b>Examples:</b>  |
|---|-----------------------------|--------------------------|----------------|---------------------------|---|
| <b>Device</b>   | <b>Tape and Reel Option</b> | <b>Temperature Range</b> | <b>Package</b> | <b>Class</b>              |   |
| <p><b>Device:</b> MCP6006T Single Op Amp (Tape and Reel) (SC70, SOT-23)<br/> MCP6006RT Single Op Amp (Tape and Reel) (SOT-23)<br/> MCP6006UT Single Op Amp (Tape and Reel) (SC70, SOT-23)<br/> MCP6007 Dual Op Amp<br/> MCP6007T Dual Op Amp (Tape and Reel for SOIC, MSOP)<br/> MCP6009 Quad Op Amp<br/> MCP6009T Quad Op Amp (Tape and Reel for SOIC, TSSOP)</p>  |                             |                          |                |                           | <p>a) MCP6006T-E/LT: Tape and Reel, Extended Temperature, 5-Lead SC70 Package.<br/> b) MCP6006T-E/OT: Tape and Reel, Extended Temperature, 5-Lead SOT-23 Package.<br/> c) MCP6006RT-E/OT: Tape and Reel, Extended Temperature, 5-Lead SOT-23 Package.<br/> d) MCP6006UT-E/LT: Tape and Reel, Extended Temperature, 5-Lead SC70 Package.<br/> e) MCP6006UT-E/OT: Tape and Reel, Extended Temperature, 5-Lead SOT-23 Package.</p>   |
| <p><b>Temperature Range:</b> E = -40°C to +125°C</p>  |                             |                          |                |                           |   |
| <p><b>Package:</b> LT = Plastic Package (SC70), 5-Lead (MCP6006 only)<br/> OT = Plastic Small Outline Transistor (SOT-23), 5-Lead (MCP6006 only)<br/> SN = Plastic Small Outline (3.90 mm), 8-Lead (MCP6007 only)<br/> MS = Plastic MSOP, 8-Lead (MCP6007 only)<br/> ST = Plastic Thin Shrink Small Outline (4.4 mm), 14-Lead (MCP6009 only)<br/> SL = Plastic Small Outline, (3.90 mm), 14-Lead (MCP6009 only)</p> |                             |                          |                |                           |   |
| <p><b>Class</b> (Blank) = Non-Automotive<br/> VAO = Automotive</p>  |                             |                          |                |                           |   |
| <p><b>Note 1:</b> The Tape and Reel identifier only appears in the catalog part number description. This identifier is used for ordering purposes and is not printed on the device package. Check with your Microchip Sales Office for package availability with the Tape and Reel option.<br/> <b>2:</b> Automotive parts are AEC-Q100 qualified, Grade 1.</p>   |                             |                          |                |                           |   |
|   |                             |                          |                |                           | <p>a) MCP6007-E/SN: Extended Temperature, 8-Lead SOIC Package.<br/> b) MCP6007-E/MS: Extended Temperature, 8-Lead MSOP Package.<br/> c) MCP6007T-E/SN: Tape and Reel, Extended Temperature, 8-Lead SOIC Package.<br/> d) MCP6007T-E/MS: Tape and Reel, Extended Temperature, 8-Lead MSOP Package.<br/> a) MCP6009-E/ST: Extended Temperature, 14-Lead TSSOP Package.<br/> b) MCP6009-E/SL: Extended Temperature, 14-Lead SOIC Package.<br/> c) MCP6009T-E/ST: Tape and Reel, Extended Temperature, 14-Lead TSSOP Package.<br/> d) MCP6009T-E/SL: Tape and Reel, Extended Temperature, 14-Lead SOIC Package.</p> |

# MCP6006/6R/6U/7/9

## PRODUCT IDENTIFICATION SYSTEM (AUTOMOTIVE)

To order or obtain information, e.g., on pricing or delivery, refer to the factory or the listed sales office..

| <u>PART NO.</u>   | <u>IXI</u> <sup>(1)</sup>   | <u>-X</u>                                       | <u>XX</u>      | <u>XXX</u> <sup>(2)</sup> | <b>Examples:</b>  |
|---|-----------------------------|---|----------------|---------------------------|---|
| <b>Device</b>   | <b>Tape and Reel Option</b> | <b>Temperature Range</b>                        | <b>Package</b> | <b>Class</b>              |   |
| <b>Device:</b> MCP6006T   |                             | Single Op Amp (Tape and Reel)<br>(SC70, SOT-23) |                |                           | a) MCP6006T-E/LTVAO: Tape and Reel, Automotive, Extended Temperature, 5-Lead SC70 Package.    |
| MCP6006RT   |                             | Single Op Amp (Tape and Reel)<br>(SOT-23)       |                |                           | b) MCP6006T-E/OTVAO: Tape and Reel, Automotive, Extended Temperature, 5-Lead SOT-23 Package.  |
| MCP6006UT   |                             | Single Op Amp (Tape and Reel)<br>(SC70, SOT-23) |                |                           | c) MCP6006UT-E/OTVAO: Tape and Reel, Automotive, Extended Temperature, 5-Lead SOT-23 Package. |
| MCP6007   |                             | Dual Op Amp                                     |                |                           | d) MCP6006RT-E/OTVAO: Tape and Reel, Automotive, Extended Temperature, 5-Lead SOT-23 Package. |
| MCP6007T  |                             | Dual Op Amp (Tape and Reel for<br>SOIC, MSOP)   |                |                           | e) MCP6006UT-E/LTVAO: Tape and Reel, Automotive, Extended Temperature, 5-Lead SC70 Package.   |
| MCP6009   |                             | Quad Op Amp                                     |                |                           | a) MCP6007-E/SNVAO: Extended Temperature, Automotive, 8-Lead SOIC Package.                    |
| MCP6009T  |                             | Quad Op Amp (Tape and Reel for<br>SOIC, TSSOP)  |                |                           | b) MCP6007-E/MSVAO: Extended Temperature, Automotive, 8-Lead MSOP Package.                    |
| <b>Temperature Range:</b> E = -40°C to +125°C   |                             |   |                |                           | c) MCP6007T-E/SNVAO: Tape and Reel, Automotive, Extended Temperature, 8-Lead SOIC Package.    |
| <b>Package:</b> LT = Plastic Package (SC70), 5-Lead   |                             |   |                |                           | d) MCP6007T-E/MSVAO: Tape and Reel, Automotive, Extended Temperature, 8-Lead MSOP Package.    |
| OT = Plastic Small Outline Transistor (SOT-23), 5-Lead  |                             |   |                |                           | a) MCP6009-E/STVAO: Extended Temperature, Automotive, 14-Lead TSSOP Package.                  |
| SN = Plastic Small Outline (3.90 mm), 8-Lead  |                             |   |                |                           | b) MCP6009-E/SLVAO: Extended Temperature, Automotive, 14-Lead SOIC Package.                   |
| MS = Plastic MSOP, 8-Lead   |                             |   |                |                           | c) MCP6009T-E/STVAO: Tape and Reel, Automotive, Extended Temperature, 14-Lead TSSOP Package.  |
| ST = Plastic Thin Shrink Small Outline (4.4 mm), 14-Lead  |                             |   |                |                           | d) MCP6009T-E/SLVAO: Tape and Reel, Automotive, Extended Temperature, 14-Lead SOIC Package.   |
| SL = Plastic Small Outline, (3.90 mm), 14-Lead  |                             |   |                |                           |   |
| <b>Class</b> (Blank) = Non-Automotive   |                             |   |                |                           |   |
| VAO = Automotive  |                             |   |                |                           |   |
| <b>Note 1:</b> The Tape and Reel identifier only appears in the catalog part number description. This identifier is used for ordering purposes and is not printed on the device package. Check with your Microchip Sales Office for package availability with the Tape and Reel option. |                             |   |                |                           |   |
| <b>2:</b> Automotive parts are AEC-Q100 qualified, Grade 1.   |                             |   |                |                           |   |

---

**Note the following details of the code protection feature on Microchip devices:**

- Microchip products meet the specifications contained in their particular Microchip Data Sheet.
- Microchip believes that its family of products is secure when used in the intended manner and under normal conditions.
- There are dishonest and possibly illegal methods being used in attempts to breach the code protection features of the Microchip devices. We believe that these methods require using the Microchip products in a manner outside the operating specifications contained in Microchip's Data Sheets. Attempts to breach these code protection features, most likely, cannot be accomplished without violating Microchip's intellectual property rights.
- Microchip is willing to work with any customer who is concerned about the integrity of its code.
- Neither Microchip nor any other semiconductor manufacturer can guarantee the security of its code. Code protection does not mean that we are guaranteeing the product is "unbreakable." Code protection is constantly evolving. We at Microchip are committed to continuously improving the code protection features of our products. Attempts to break Microchip's code protection feature may be a violation of the Digital Millennium Copyright Act. If such acts allow unauthorized access to your software or other copyrighted work, you may have a right to sue for relief under that Act.

---

Information contained in this publication is provided for the sole purpose of designing with and using Microchip products. Information regarding device applications and the like is provided only for your convenience and may be superseded by updates. It is your responsibility to ensure that your application meets with your specifications.

THIS INFORMATION IS PROVIDED BY MICROCHIP "AS IS". MICROCHIP MAKES NO REPRESENTATIONS OR WARRANTIES OF ANY KIND WHETHER EXPRESS OR IMPLIED, WRITTEN OR ORAL, STATUTORY OR OTHERWISE, RELATED TO THE INFORMATION INCLUDING BUT NOT LIMITED TO ANY IMPLIED WARRANTIES OF NON-INFRINGEMENT, MERCHANTABILITY, AND FITNESS FOR A PARTICULAR PURPOSE OR WARRANTIES RELATED TO ITS CONDITION, QUALITY, OR PERFORMANCE.

IN NO EVENT WILL MICROCHIP BE LIABLE FOR ANY INDIRECT, SPECIAL, PUNITIVE, INCIDENTAL OR CONSEQUENTIAL LOSS, DAMAGE, COST OR EXPENSE OF ANY KIND WHATSOEVER RELATED TO THE INFORMATION OR ITS USE, HOWEVER CAUSED, EVEN IF MICROCHIP HAS BEEN ADVISED OF THE POSSIBILITY OR THE DAMAGES ARE FORESEEABLE. TO THE FULLEST EXTENT ALLOWED BY LAW, MICROCHIP'S TOTAL LIABILITY ON ALL CLAIMS IN ANY WAY RELATED TO THE INFORMATION OR ITS USE WILL NOT EXCEED THE AMOUNT OF FEES, IF ANY, THAT YOU HAVE PAID DIRECTLY TO MICROCHIP FOR THE INFORMATION. Use of Microchip devices in life support and/or safety applications is entirely at the buyer's risk, and the buyer agrees to defend, indemnify and hold harmless Microchip from any and all damages, claims, suits, or expenses resulting from such use. No licenses are conveyed, implicitly or otherwise, under any Microchip intellectual property rights unless otherwise stated.

For information regarding Microchip's Quality Management Systems, please visit [www.microchip.com/quality](http://www.microchip.com/quality).

### Trademarks

The Microchip name and logo, the Microchip logo, Adaptec, AnyRate, AVR, AVR logo, AVR Freaks, BesTime, BitCloud, chipKIT, chipKIT logo, CryptoMemory, CryptoRF, dsPIC, FlashFlex, flexPWR, HELDO, IGLoo, JukeBlox, KeeLoq, Klear, LANCheck, LinkMD, maXStylus, maXTouch, MediaLB, megaAVR, Microsemi, Microsemi logo, MOST, MOST logo, MPLAB, OptoLyzer, PackeTime, PIC, picoPower, PICSTART, PIC32 logo, PolarFire, Prochip Designer, QTouch, SAM-BA, SenGenuity, SpyNIC, SST, SST Logo, SuperFlash, Symmetricom, SyncServer, Tachyon, TempTracker, TimeSource, tinyAVR, UNI/O, Vectron, and XMEGA are registered trademarks of Microchip Technology Incorporated in the U.S.A. and other countries.

APT, ClockWorks, The Embedded Control Solutions Company, EtherSynch, FlashTec, Hyper Speed Control, HyperLight Load, IntelliMOS, Libero, motorBench, mTouch, Powermite 3, Precision Edge, ProASIC, ProASIC Plus, ProASIC Plus logo, Quiet-Wire, SmartFusion, SyncWorld, Temux, TimeCesium, TimeHub, TimePictra, TimeProvider, Vite, WinPath, and ZL are registered trademarks of Microchip Technology Incorporated in the U.S.A.

Adjacent Key Suppression, AKS, Analog-for-the-Digital Age, Any Capacitor, AnyIn, AnyOut, BlueSky, BodyCom, CodeGuard, CryptoAuthentication, CryptoAutomotive, CryptoCompanion, CryptoController, dsPICDEM, dsPICDEM.net, Dynamic Average Matching, DAM, ECAN, EtherGREEN, In-Circuit Serial Programming, ICSP, INICnet, Inter-Chip Connectivity, JitterBlocker, KlearNet, KlearNet logo, memBrain, Mindi, MiWi, MPASM, MPF, MPLAB Certified logo, MPLIB, MPLINK, MultiTRAK, NetDetach, Omniscient Code Generation, PICDEM, PICDEM.net, PICkit, PICtail, PowerSmart, PureSilicon, QMatrix, REAL ICE, Ripple Blocker, SAM-ICE, Serial Quad I/O, SMART-I.S., SQR, SuperSwitcher, SuperSwitcher II, Total Endurance, TSHARC, USBCheck, VariSense, ViewSpan, WiperLock, Wireless DNA, and ZENA are trademarks of Microchip Technology Incorporated in the U.S.A. and other countries.

SQTP is a service mark of Microchip Technology Incorporated in the U.S.A.

The Adaptec logo, Frequency on Demand, Silicon Storage Technology, and Symmcom are registered trademarks of Microchip Technology Inc. in other countries.

GestIC is a registered trademark of Microchip Technology Germany II GmbH & Co. KG, a subsidiary of Microchip Technology Inc., in other countries.

All other trademarks mentioned herein are property of their respective companies.

© 2020-2021, Microchip Technology Incorporated, All Rights Reserved.

ISBN: 978-1-5224-8232-1



# MICROCHIP

## Worldwide Sales and Service

### AMERICAS

**Corporate Office**  
2355 West Chandler Blvd.  
Chandler, AZ 85224-6199  
Tel: 480-792-7200  
Fax: 480-792-7277  
Technical Support:  
<http://www.microchip.com/support>  
Web Address:  
[www.microchip.com](http://www.microchip.com)

#### Atlanta

Duluth, GA  
Tel: 678-957-9614  
Fax: 678-957-1455

#### Austin, TX

Tel: 512-257-3370

#### Boston

Westborough, MA  
Tel: 774-760-0087  
Fax: 774-760-0088

#### Chicago

Itasca, IL  
Tel: 630-285-0071  
Fax: 630-285-0075

#### Dallas

Addison, TX  
Tel: 972-818-7423  
Fax: 972-818-2924

#### Detroit

Novi, MI  
Tel: 248-848-4000

#### Houston, TX

Tel: 281-894-5983

#### Indianapolis

Noblesville, IN  
Tel: 317-773-8323  
Fax: 317-773-5453  
Tel: 317-536-2380

#### Los Angeles

Mission Viejo, CA  
Tel: 949-462-9523  
Fax: 949-462-9608  
Tel: 951-273-7800

#### Raleigh, NC

Tel: 919-844-7510

#### New York, NY

Tel: 631-435-6000

#### San Jose, CA

Tel: 408-735-9110  
Tel: 408-436-4270

#### Canada - Toronto

Tel: 905-695-1980  
Fax: 905-695-2078

### ASIA/PACIFIC

**Australia - Sydney**  
Tel: 61-2-9868-6733

**China - Beijing**  
Tel: 86-10-8569-7000

**China - Chengdu**  
Tel: 86-28-8665-5511

**China - Chongqing**  
Tel: 86-23-8980-9588

**China - Dongguan**  
Tel: 86-769-8702-9880

**China - Guangzhou**  
Tel: 86-20-8755-8029

**China - Hangzhou**  
Tel: 86-571-8792-8115

**China - Hong Kong SAR**  
Tel: 852-2943-5100

**China - Nanjing**  
Tel: 86-25-8473-2460

**China - Qingdao**  
Tel: 86-532-8502-7355

**China - Shanghai**  
Tel: 86-21-3326-8000

**China - Shenyang**  
Tel: 86-24-2334-2829

**China - Shenzhen**  
Tel: 86-755-8864-2200

**China - Suzhou**  
Tel: 86-186-6233-1526

**China - Wuhan**  
Tel: 86-27-5980-5300

**China - Xian**  
Tel: 86-29-8833-7252

**China - Xiamen**  
Tel: 86-592-2388138

**China - Zhuhai**  
Tel: 86-756-3210040

### ASIA/PACIFIC

**India - Bangalore**  
Tel: 91-80-3090-4444

**India - New Delhi**  
Tel: 91-11-4160-8631

**India - Pune**  
Tel: 91-20-4121-0141

**Japan - Osaka**  
Tel: 81-6-6152-7160

**Japan - Tokyo**  
Tel: 81-3-6880-3770

**Korea - Daegu**  
Tel: 82-53-744-4301

**Korea - Seoul**  
Tel: 82-2-554-7200

**Malaysia - Kuala Lumpur**  
Tel: 60-3-7651-7906

**Malaysia - Penang**  
Tel: 60-4-227-8870

**Philippines - Manila**  
Tel: 63-2-634-9065

**Singapore**  
Tel: 65-6334-8870

**Taiwan - Hsin Chu**  
Tel: 886-3-577-8366

**Taiwan - Kaohsiung**  
Tel: 886-7-213-7830

**Taiwan - Taipei**  
Tel: 886-2-2508-8600

**Thailand - Bangkok**  
Tel: 66-2-694-1351

**Vietnam - Ho Chi Minh**  
Tel: 84-28-5448-2100

### EUROPE

**Austria - Wels**  
Tel: 43-7242-2244-39  
Fax: 43-7242-2244-393

**Denmark - Copenhagen**  
Tel: 45-4485-5910  
Fax: 45-4485-2829

**Finland - Espoo**  
Tel: 358-9-4520-820

**France - Paris**  
Tel: 33-1-69-53-63-20  
Fax: 33-1-69-30-90-79

**Germany - Garching**  
Tel: 49-8931-9700

**Germany - Haan**  
Tel: 49-2129-3766400

**Germany - Heilbronn**  
Tel: 49-7131-72400

**Germany - Karlsruhe**  
Tel: 49-721-625370

**Germany - Munich**  
Tel: 49-89-627-144-0  
Fax: 49-89-627-144-44

**Germany - Rosenheim**  
Tel: 49-8031-354-560

**Israel - Ra'anana**  
Tel: 972-9-744-7705

**Italy - Milan**  
Tel: 39-0331-742611  
Fax: 39-0331-466781

**Italy - Padova**  
Tel: 39-049-7625286

**Netherlands - Drunen**  
Tel: 31-416-690399  
Fax: 31-416-690340

**Norway - Trondheim**  
Tel: 47-7288-4388

**Poland - Warsaw**  
Tel: 48-22-3325737

**Romania - Bucharest**  
Tel: 40-21-407-87-50

**Spain - Madrid**  
Tel: 34-91-708-08-90  
Fax: 34-91-708-08-91

**Sweden - Gothenberg**  
Tel: 46-31-704-60-40

**Sweden - Stockholm**  
Tel: 46-8-5090-4654

**UK - Wokingham**  
Tel: 44-118-921-5800  
Fax: 44-118-921-5820