

## DRV5053-Q1 Automotive Analog-Bipolar Hall Effect Sensor

### 1 Features

- Linear Output Hall Sensor
- AEC-Q100 Qualified for Automotive Applications
  - Grade 1:  $T_A = -40$  to  $125^\circ\text{C}$  (Q, see [Figure 17](#))
  - Grade 0:  $T_A = -40$  to  $150^\circ\text{C}$  (E, see [Figure 17](#))
- Superior Temperature Stability
  - Sensitivity  $\pm 10\%$  Over Temperature
- High Sensitivity Options:
  - $-11$  mV/mT (OA, See [Figure 17](#))
  - $-23$  mV/mT (PA)
  - $-45$  mV/mT (RA)
  - $-90$  mV/mT (VA)
  - $+23$  mV/mT (CA)
  - $+45$  mV/mT (EA)
- Supports a Wide Voltage Range
  - 2.7 to 38 V
  - No External Regulator Required
- Amplified Output Stage
  - 2.3-mA Sink, 300  $\mu\text{A}$  Source
- Output Voltage: 0.2 ~ 1.8 V
  - $B = 0$  mT,  $\text{OUT} = 1$  V
- Fast Power-On: 35  $\mu\text{s}$
- Small Package and Footprint
  - Surface Mount 3-Pin SOT-23 (DBZ)
    - 2.92 mm  $\times$  2.37 mm
  - Through-Hole 3-Pin TO-92 (LPG)
    - 4.00 mm  $\times$  3.15 mm
- **Protection Features**
  - Reverse Supply Protection (up to  $-22$  V)
  - Supports up to 40-V Load Dump
  - Output Short-Circuit Protection
  - Output Current Limitation
  - OUT Short to Battery Protection

### 2 Applications

- Flow Meters
- Docking Adjustment
- Vibration Correction
- Damper Controls

### 3 Description

The DRV5053-Q1 device is a chopper-stabilized Hall IC that offers a magnetic sensing solution with superior sensitivity stability over temperature and integrated protection features.

The 0- to 2-V analog output responds linearly to the applied magnetic flux density, and distinguishes the polarity of magnetic field direction. A wide operating voltage range from 2.7 to 38 V with reverse polarity protection up to  $-22$  V makes the device suitable for a wide range of automotive and consumer applications.

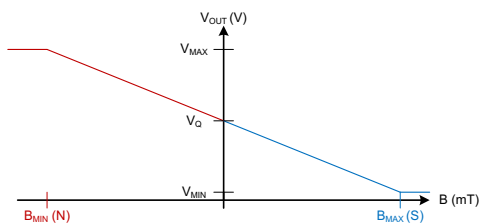
Internal protection functions are provided for reverse supply conditions, load dump, and output short circuit or overcurrent.

#### Device Information<sup>(1)</sup>

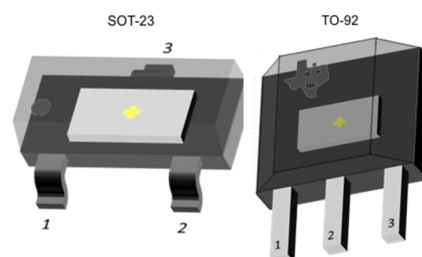
PART NUMBER	PACKAGE	BODY SIZE (NOM)
DRV5053-Q1	SOT-23 (3)	2.92 mm $\times$ 1.30 mm
	TO-92 (3)	4.00 mm $\times$ 3.15 mm

(1) For all available packages, see the orderable addendum at the end of the data sheet.

#### Output State



#### Device Packages



## Table of Contents

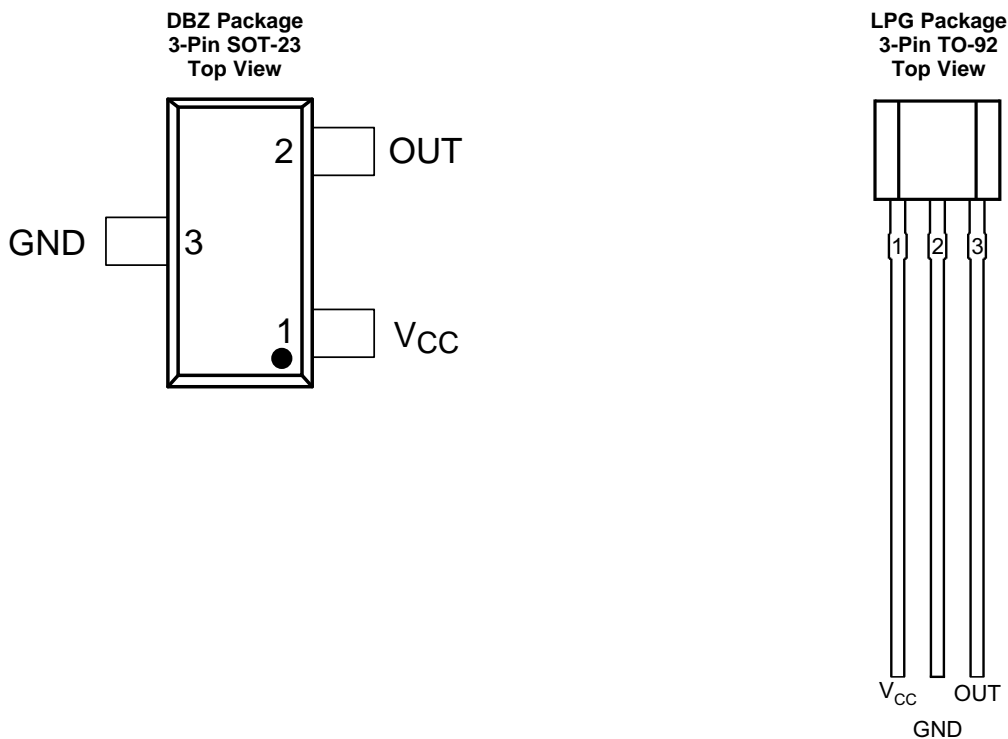
<b>1 Features</b> .....	<b>1</b>	7.1 Overview .....	<b>8</b>
<b>2 Applications</b> .....	<b>1</b>	7.2 Functional Block Diagram .....	<b>8</b>
<b>3 Description</b> .....	<b>1</b>	7.3 Feature Description .....	<b>9</b>
<b>4 Revision History</b> .....	<b>2</b>	7.4 Device Functional Modes .....	<b>11</b>
<b>5 Pin Configuration and Functions</b> .....	<b>3</b>	<b>8 Application and Implementation</b> .....	<b>12</b>
<b>6 Specifications</b> .....	<b>4</b>	8.1 Application Information .....	<b>12</b>
6.1 Absolute Maximum Ratings .....	<b>4</b>	8.2 Typical Applications .....	<b>12</b>
6.2 ESD Ratings .....	<b>4</b>	<b>9 Power Supply Recommendations</b> .....	<b>14</b>
6.3 Recommended Operating Conditions .....	<b>4</b>	<b>10 Device and Documentation Support</b> .....	<b>15</b>
6.4 Thermal Information .....	<b>4</b>	10.1 Device Support .....	<b>15</b>
6.5 Electrical Characteristics .....	<b>5</b>	10.2 Community Resources .....	<b>16</b>
6.6 Switching Characteristics .....	<b>5</b>	10.3 Trademarks .....	<b>16</b>
6.7 Magnetic Characteristics .....	<b>5</b>	10.4 Electrostatic Discharge Caution .....	<b>16</b>
6.8 Typical Characteristics .....	<b>7</b>	10.5 Glossary .....	<b>16</b>
<b>7 Detailed Description</b> .....	<b>8</b>	<b>11 Mechanical, Packaging, and Orderable Information</b> .....	<b>16</b>

## 4 Revision History

<b>Changes from Original (December 2014) to Revision A</b>	<b>Page</b>
• Corrected body size of SOT-23 package and SIP package name to TO-92 .....	<b>1</b>
• Added $B_{MAX}$ to <i>Absolute Maximum Ratings</i> .....	<b>4</b>
• Removed table notes regarding testing for the operating junction temperature in <i>Absolute Maximum Ratings</i> .....	<b>4</b>
• Updated the typical value for $B_N$ and $V_N$ for each version .....	<b>5</b>
• Updated <a href="#">Figure 6</a> .....	<b>7</b>
• Updated the <i>Functional Block Diagram</i> .....	<b>8</b>
• Updated <i>Output Stage</i> .....	<b>11</b>
• Updated package tape and reel options for M and blank .....	<b>15</b>
• Added <i>Community Resources</i> .....	<b>16</b>

## 5 Pin Configuration and Functions

For additional configuration information, see [Device Markings](#) and [Mechanical, Packaging, and Orderable Information](#).



### Pin Functions

NAME	PIN		TYPE	DESCRIPTION
	DBZ	LPG		
GND	3	2	GND	Ground pin
V <sub>CC</sub>	1	1	Power	2.7 to 38 V power supply. Bypass this pin to the GND pin with a 0.01-μF (minimum) ceramic capacitor rated for V <sub>CC</sub> .
OUT	2	3	Output	Hall sensor analog output. 1 V output corresponds to B = 0 mT

## 6 Specifications

### 6.1 Absolute Maximum Ratings

 over operating free-air temperature range (unless otherwise noted)<sup>(1)</sup>

		MIN	MAX	UNIT
Power supply voltage	V <sub>CC</sub>	-22 <sup>(2)</sup>	40	V
	Voltage ramp rate (V <sub>CC</sub> ), V <sub>CC</sub> < 5 V	Unlimited		V/μs
	Voltage ramp rate (V <sub>CC</sub> ), V <sub>CC</sub> > 5 V	0	2	
Output pin voltage		-0.5	2.5	V
Output pin reverse current during reverse supply condition		0	-20	mA
Magnetic flux density, B <sub>MAX</sub>		Unlimited		
Operating junction temperature, T <sub>J</sub>	Q, see <a href="#">Figure 17</a>	-40	150	°C
	E, see <a href="#">Figure 17</a>	-40	175	
Storage temperature, T <sub>stg</sub>		-65	150	°C

- (1) Stresses beyond those listed under *Absolute Maximum Ratings* may cause permanent damage to the device. These are stress ratings only, which do not imply functional operation of the device at these or any other conditions beyond those indicated under *Recommended Operating Conditions*. Exposure to absolute-maximum-rated conditions for extended periods may affect device reliability.
- (2) Ensured by design. Only tested to -20 V.

### 6.2 ESD Ratings

			VALUE	UNIT
V <sub>(ESD)</sub>	Electrostatic discharge	Human body model (HBM), per ANSI/ESDA/JEDEC JS-001, all pins <sup>(1)</sup>	±2500	V
		Charged device model (CDM), per JEDEC specification JESD22-C101, all pins <sup>(2)</sup>	±500	

- (1) JEDEC document JEP155 states that 500-V HBM allows safe manufacturing with a standard ESD control process.
- (2) JEDEC document JEP157 states that 250-V CDM allows safe manufacturing with a standard ESD control process.

### 6.3 Recommended Operating Conditions

over operating free-air temperature range (unless otherwise noted)

		MIN	MAX	UNIT	
V <sub>CC</sub>	Power supply voltage	2.7	38	V	
V <sub>OUT</sub>	Output pin voltage (OUT)	0	2	V	
I <sub>SOURCE</sub>	Output pin current source (OUT)	0	300	μA	
I <sub>SINK</sub>	Output pin current sink (OUT)	0	2.3	mA	
T <sub>A</sub>	Operating ambient temperature	Q, see <a href="#">Figure 17</a>	-40	125	°C
		E, see <a href="#">Figure 17</a>	-40	150	

### 6.4 Thermal Information

THERMAL METRIC <sup>(1)</sup>		DRV5053-Q1		UNIT
		DBZ (SOT-23)	LPG (TO-92)	
		3 PINS	3 PINS	
R <sub>θJA</sub>	Junction-to-ambient thermal resistance	333.2	180	°C/W
R <sub>θJC(top)</sub>	Junction-to-case (top) thermal resistance	99.9	98.6	°C/W
R <sub>θJB</sub>	Junction-to-board thermal resistance	66.9	154.9	°C/W
ψ <sub>JT</sub>	Junction-to-top characterization parameter	4.9	40	°C/W
ψ <sub>JB</sub>	Junction-to-board characterization parameter	65.2	154.9	°C/W

- (1) For more information about traditional and new thermal metrics, see the *Semiconductor and IC Package Thermal Metrics* application report, [SPRA953](#).

## 6.5 Electrical Characteristics

over operating free-air temperature range (unless otherwise noted)

PARAMETER		TEST CONDITIONS	MIN	TYP	MAX	UNIT
<b>POWER SUPPLIES (V<sub>CC</sub>)</b>						
V <sub>CC</sub>	V <sub>CC</sub> operating voltage		2.7		38	V
I <sub>CC</sub>	Operating supply current	V <sub>CC</sub> = 2.7 to 38 V, T <sub>A</sub> = 25°C		2.7		mA
		V <sub>CC</sub> = 2.7 to 38 V, T <sub>A</sub> = T <sub>A, MAX</sub> <sup>(1)</sup>		3	3.6	
t <sub>on</sub>	Power-on time			35	50	μs
<b>PROTECTION CIRCUITS</b>						
V <sub>CCR</sub>	Reverse supply voltage		-22			V
I <sub>OCP,SOURCE</sub>	Overcurrent protection level	Sourcing current		300		μA
I <sub>OCP,SINK</sub>	Overcurrent protection level	Sinking current		2.3		mA

(1) T<sub>A, MAX</sub> is 125°C for Q Grade 1 devices and 150°C for E Grade 0 devices (see [Figure 17](#))

## 6.6 Switching Characteristics

over operating free-air temperature range (unless otherwise noted)

PARAMETER		TEST CONDITIONS	MIN	TYP	MAX	UNIT
<b>ANALOG OUTPUT (OUT)</b>						
t <sub>d</sub>	Output delay time	T <sub>A</sub> = 25°C		13	25	μs

## 6.7 Magnetic Characteristics

over operating free-air temperature range (unless otherwise noted)

PARAMETER		TEST CONDITIONS	MIN	TYP	MAX	UNIT <sup>(1)</sup>
V <sub>Q</sub>	Quiescent output	B = 0 mT	0.9	1.02	1.15	V
f <sub>BW</sub>	Bandwidth <sup>(2)</sup>		20			kHz
B <sub>N</sub>	Input-referred noise <sup>(3)</sup>	C <sub>OUT</sub> = 50 pF	0.40	0.49	0.79	mT <sub>pp</sub>
Le	Linearity <sup>(4)</sup>	-B <sub>SAT</sub> < B < B <sub>SAT</sub>		1%		
V <sub>OUT MIN</sub>	Output saturation voltage (min)	B < -B <sub>SAT</sub>			0.2	V
V <sub>OUT MAX</sub>	Output saturation voltage (max)	B > B <sub>SAT</sub>	1.8			V
<b>DRV5053OA: -11 mV/mT</b>						
S	Sensitivity	V <sub>CC</sub> = 3.3 V	-17.5	-11	-5	mV/mT
V <sub>N</sub>	Output-referred noise	V <sub>CC</sub> = 3.3 V; R <sub>OUT</sub> = 10 kΩ; C <sub>OUT</sub> = 50 pF		5		mV <sub>pp</sub>
B <sub>SAT</sub>	Input saturation field	V <sub>CC</sub> = 3.3 V		73		mT
<b>DRV5053PA: -23 mV/mT</b>						
S	Sensitivity	V <sub>CC</sub> = 3.3 V	-35	-23	-10	mV/mT
V <sub>N</sub>	Output-referred noise	V <sub>CC</sub> = 3.3 V; R <sub>OUT</sub> = 10 kΩ; C <sub>OUT</sub> = 50 pF		11		mV <sub>pp</sub>
B <sub>SAT</sub>	Input saturation field	V <sub>CC</sub> = 3.3 V		35		mT

(1) 1 mT = 10 Gauss

(2) Bandwidth describes the fastest changing magnetic field that can be detected and translated to the output.

(3) Not tested in production; limits are based on characterization data.

(4) Linearity describes the change in sensitivity across the B-range. The sensitivity near B<sub>SAT</sub> is typically within 1% of the sensitivity near B = 0.

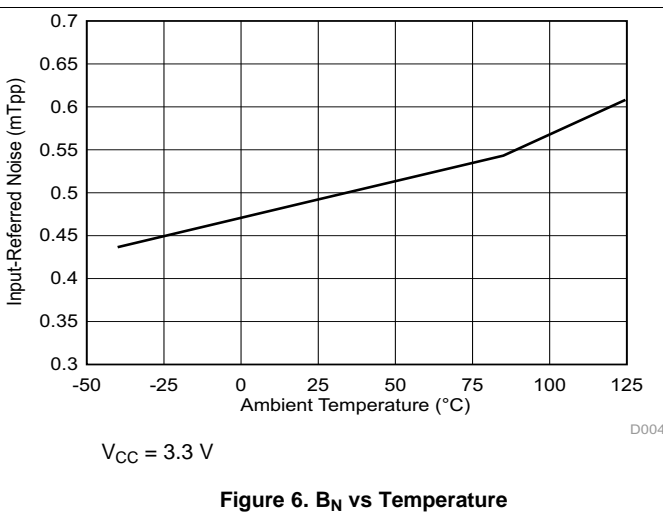
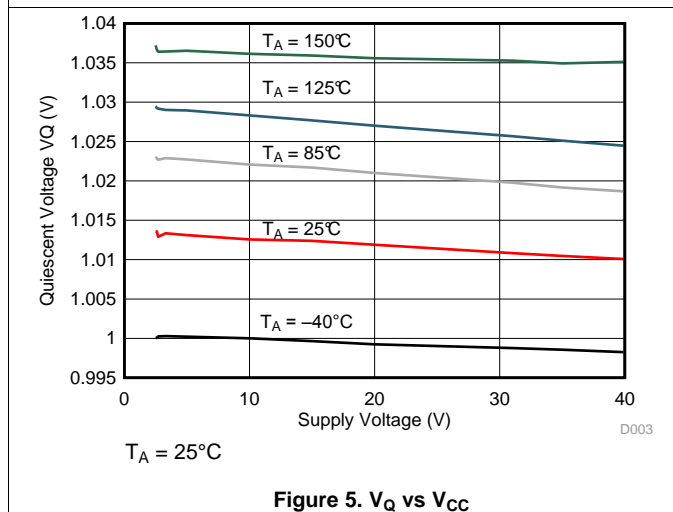
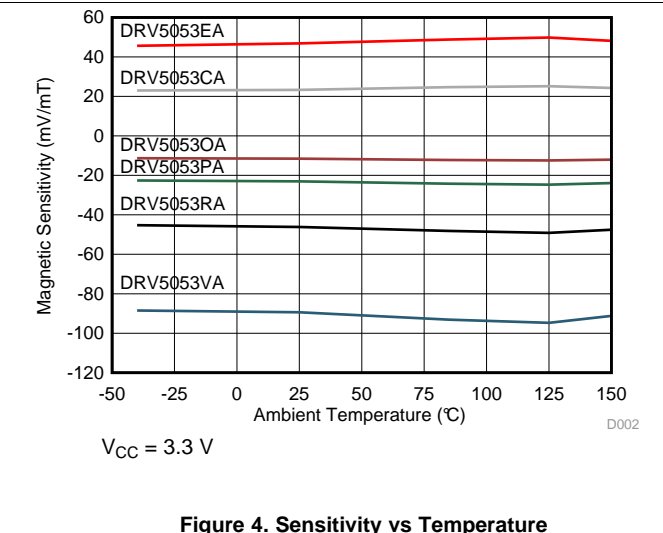
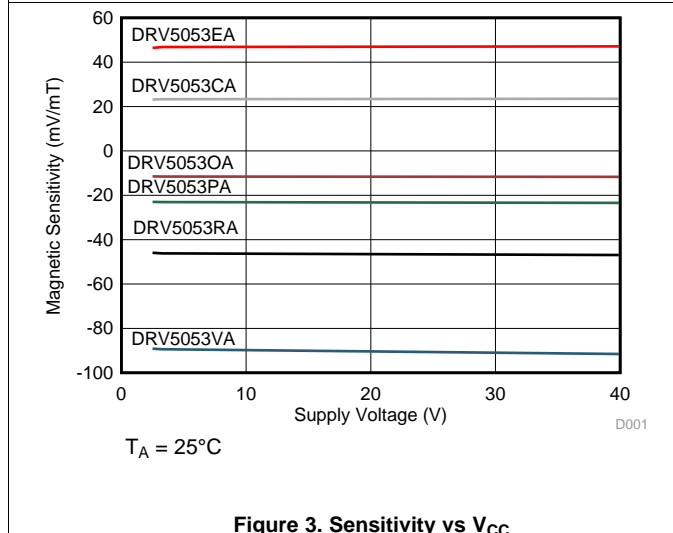
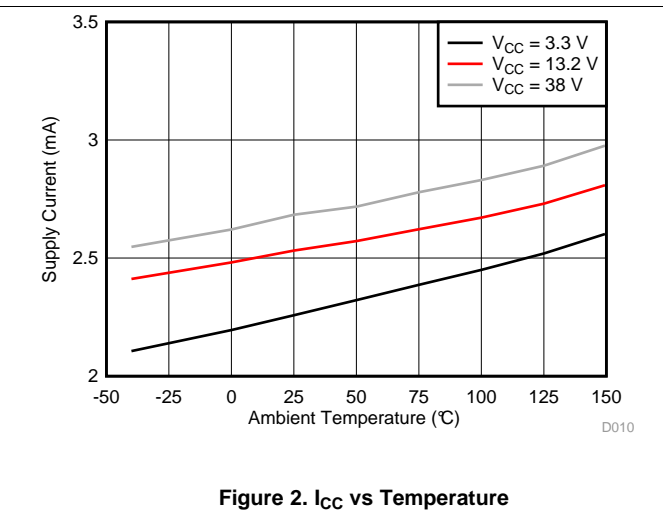
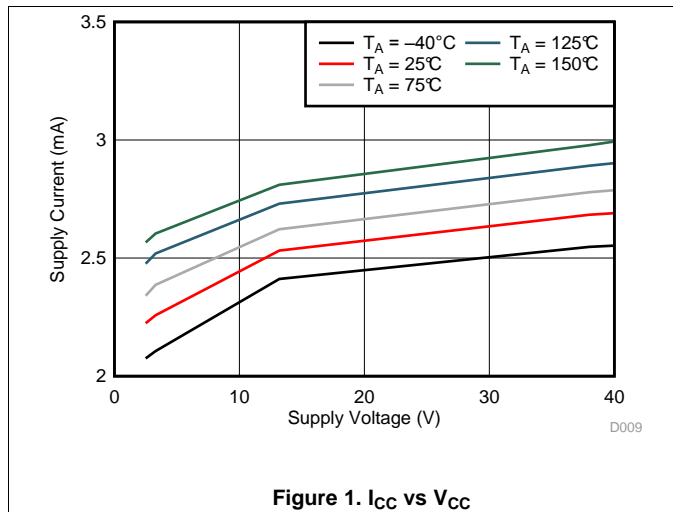
**Magnetic Characteristics (continued)**

over operating free-air temperature range (unless otherwise noted)

PARAMETER		TEST CONDITIONS	MIN	TYP	MAX	UNIT <sup>(1)</sup>
<b>DRV5053RA: –45 mV/mT</b>						
S	Sensitivity	$V_{CC} = 3.3\text{ V}$	–70	–45	–20	mV/mT
$V_N$	Output-referred noise	$V_{CC} = 3.3\text{ V}; R_{OUT} = 10\text{ k}\Omega;$ $C_{OUT} = 50\text{ pF}$		22		mV <sub>pp</sub>
$B_{SAT}$	Input saturation field	$V_{CC} = 3.3\text{ V}$		18		mT
<b>DRV5053VA: –90 mV/mT</b>						
S	Sensitivity	$V_{CC} = 3.3\text{ V}$	–140	–90	–45	mV/mT
$V_N$	Output-referred noise	$V_{CC} = 3.3\text{ V}; R_{OUT} = 10\text{ k}\Omega;$ $C_{OUT} = 50\text{ pF}$		44		mV <sub>pp</sub>
$B_{SAT}$	Input saturation field	$V_{CC} = 3.3\text{ V}$		9		mT
<b>DRV5053CA: 23 mV/mT</b>						
S	Sensitivity	$V_{CC} = 3.3\text{ V}$	10	23	35	mV/mT
$V_N$	Output-referred noise	$V_{CC} = 3.3\text{ V}; R_{OUT} = 10\text{ k}\Omega;$ $C_{OUT} = 50\text{ pF}$		11		mV <sub>pp</sub>
$B_{SAT}$	Input saturation field	$V_{CC} = 3.3\text{ V}$		35		mT
<b>DRV5053EA: 45 mV/mT</b>						
S	Sensitivity	$V_{CC} = 3.3\text{ V}$	20	45	70	mV/mT
$V_N$	Output-referred noise	$V_{CC} = 3.3\text{ V}; R_{OUT} = 10\text{ k}\Omega;$ $C_{OUT} = 50\text{ pF}$		22		mV <sub>pp</sub>
$B_{SAT}$	Input saturation field	$V_{CC} = 3.3\text{ V}$		18		mT

### 6.8 Typical Characteristics

T<sub>A</sub> > 125°C data is valid for Grade 0 devices only (E, see Figure 17)



## 7 Detailed Description

### 7.1 Overview

The DRV5053-Q1 device is a chopper-stabilized Hall sensor with an analog output for magnetic sensing applications. The DRV5053-Q1 device can be powered with a supply voltage between 2.7 and 38 V, and will survive  $-22$  V reverse battery conditions continuously. Note that the DRV5053-Q1 device will not be operating when approximately  $-22$  to  $2.4$  V is applied to  $V_{CC}$  (with respect to GND). In addition, the device can withstand supply voltages up to 40 V for transient durations.

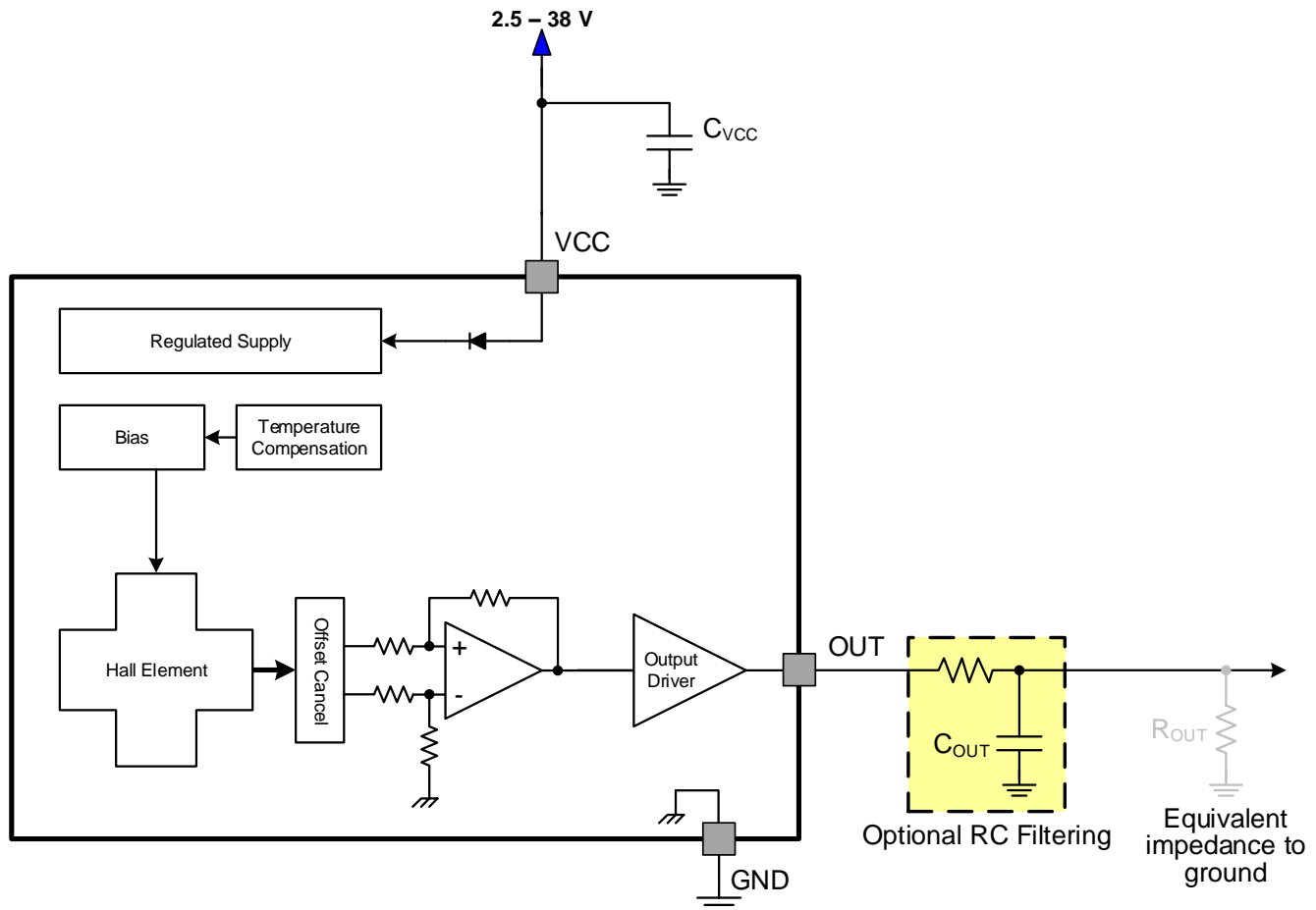
The output voltage is dependent on the magnetic field perpendicular to the package. The absence of a magnetic field will result in  $OUT = 1$  V. A magnetic field will cause the output voltage to change linearly with the magnetic field.

The field polarity is defined as follows: a **south pole** near the marked side of the package is a positive magnetic field. A **north pole** near the marked side of the package is a negative magnetic field.

For devices with a negative sensitivity (that is, DRV5053RA:  $-40$  mV/mT), a **south pole** will cause the output voltage to drop below 1 V, and a north pole will cause the output to rise above 1 V.

For devices with a positive sensitivity (that is, DRV5053EA:  $+40$  mV/mT), a **south pole** will cause the output voltage to rise above 1 V, and a north pole will cause the output to drop below 1 V.

### 7.2 Functional Block Diagram





### 7.3 Feature Description

#### 7.3.1 Field Direction Definition

A positive magnetic field is defined as a **south pole** near the marked side of the package as shown in [Figure 7](#).

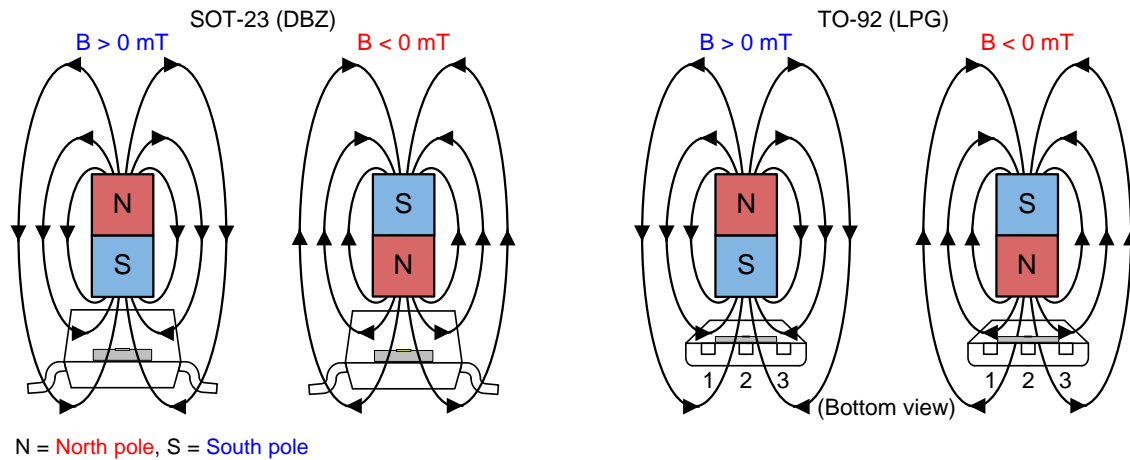


Figure 7. Field Direction Definition

#### 7.3.2 Device Output

The DRV5053-Q1 device output is defined below for negative sensitivity (that is,  $-45 \text{ mV/mT}$ , RA) and positive sensitivity (that is,  $+45 \text{ mV/mT}$ , EA):

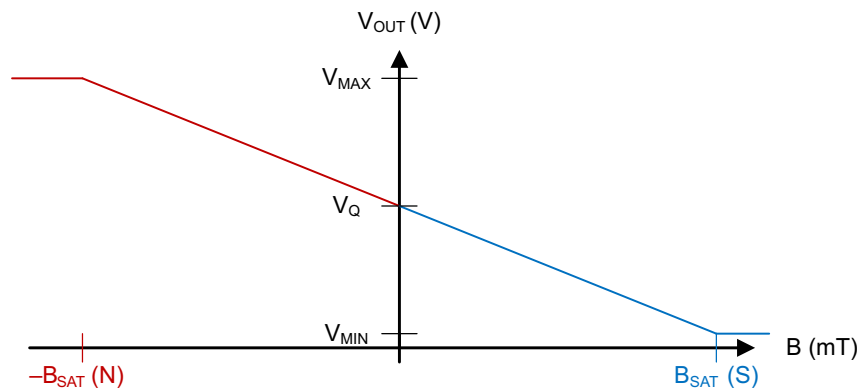


Figure 8. DRV5053-Q1 – Negative Sensitivity

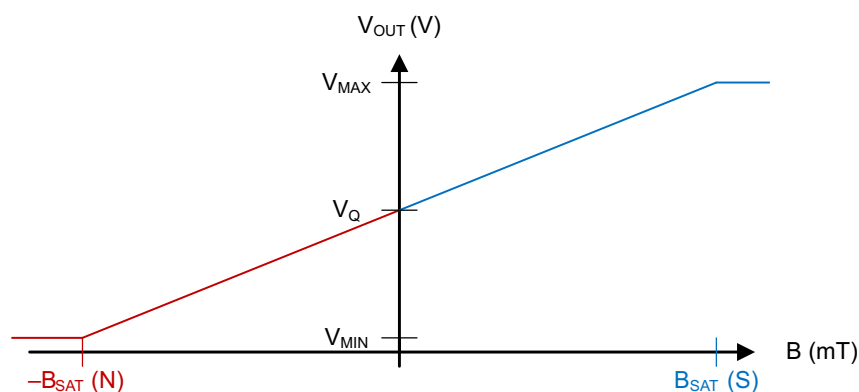
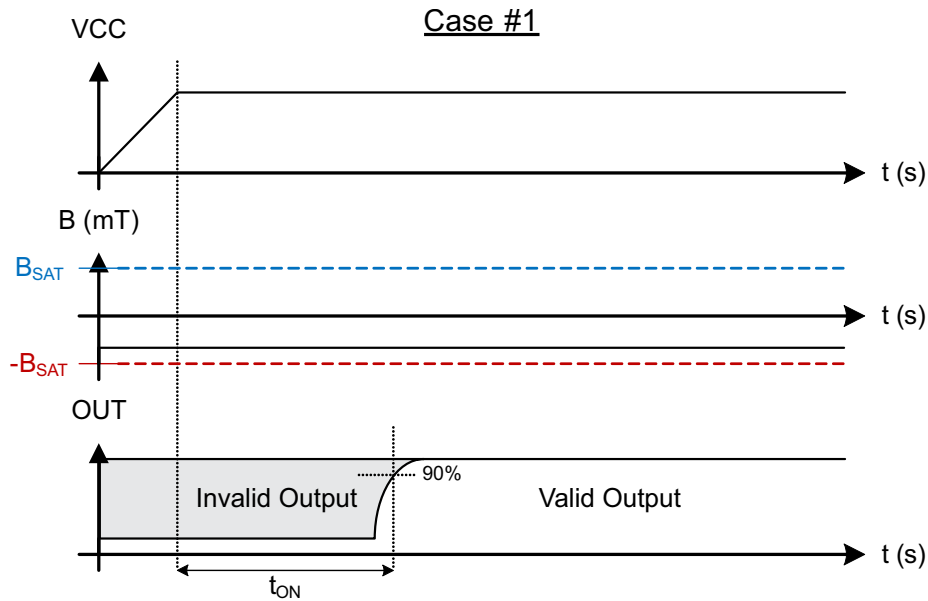
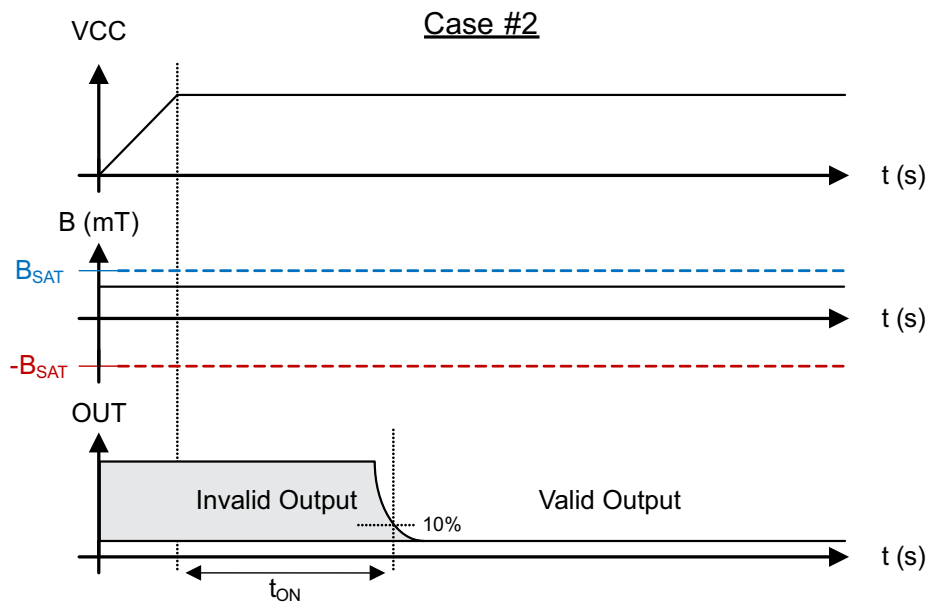


Figure 9. DRV5053-Q1 – Positive Sensitivity

**Feature Description (continued)**
**7.3.3 Power-On Time**

After applying  $V_{CC}$  to the DRV5053-Q1 device,  $t_{on}$  must elapse before OUT is valid. Figure 10 shows Case 1 and Figure 11 shows case 2; the output is defined assuming a negative sensitivity device and a constant magnetic field  $-B_{SAT} < B < B_{SAT}$ .


**Figure 10. Case 1: Power On When  $B < 0$ , North**

**Figure 11. Case 2: Power On When  $B > 0$ , South**

## Feature Description (continued)

### 7.3.4 Output Stage

The DRV5053-Q1 output stage is capable of up to 300- $\mu$ A of current source or 2.3-mA sink. For proper operation, ensure that equivalent output load  $R_{OUT} > 10\text{ k}\Omega$ .

The capacitive load directly present on the OUT pin should be less than 10 nF to ensure the internal operational amplifier is stable. If an external RC filter is added to reduce noise, it is acceptable to use a resistor  $\geq 200\ \Omega$  with a capacitor  $\leq 0.1\ \mu\text{F}$ . For an application example, see [Filtered Typical Application](#).

### 7.3.5 Protection Circuits

An analog current limit circuit limits the current through the output driver. The driver current will be clamped to  $I_{OCP}$ .

#### 7.3.5.1 Overcurrent Protection (OCP)

An analog current-limit circuit limits the current through the FET. The driver current is clamped to  $I_{OCP}$ . During this clamping, the  $r_{DS(on)}$  of the output FET is increased from the nominal value.

#### 7.3.5.2 Load Dump Protection

The DRV5053-Q1 device operates at DC  $V_{CC}$  conditions up to 38 V nominally, and can additionally withstand  $V_{CC} = 40\text{ V}$ . No current-limiting series resistor is required for this protection.

#### 7.3.5.3 Reverse Supply Protection

The DRV5053-Q1 device is protected in the event that the  $V_{CC}$  pin and the GND pin are reversed (up to  $-22\text{ V}$ ).

#### NOTE

In a reverse supply condition, the OUT pin reverse-current must not exceed the ratings specified in the [Absolute Maximum Ratings](#).

**Table 1.**

FAULT	CONDITION	DEVICE	DESCRIPTION	RECOVERY
FET overload (OCP)	$I_{SINK} \geq I_{OCP}$	Operating	Output current is clamped to $I_{OCP}$	$I_O < I_{OCP}$
Load Dump	$38\text{ V} < V_{CC} < 40\text{ V}$	Operating	Device will operate for a transient duration	$V_{CC} \leq 38\text{ V}$
Reverse Supply	$-22\text{ V} < V_{CC} < 0\text{ V}$	Disabled	Device will survive this condition	$V_{CC} \geq 2.7\text{ V}$

## 7.4 Device Functional Modes

The DRV5053-Q1 device is active only when  $V_{CC}$  is between 2.7 and 38 V.

When a reverse supply condition exists, the device is inactive.

## 8 Application and Implementation

### NOTE

Information in the following applications sections is not part of the TI component specification, and TI does not warrant its accuracy or completeness. TI's customers are responsible for determining suitability of components for their purposes. Customers should validate and test their design implementation to confirm system functionality.

### 8.1 Application Information

The DRV5053-Q1 device is used in magnetic-field sensing applications.

### 8.2 Typical Applications

#### 8.2.1 Typical Application With No Filter

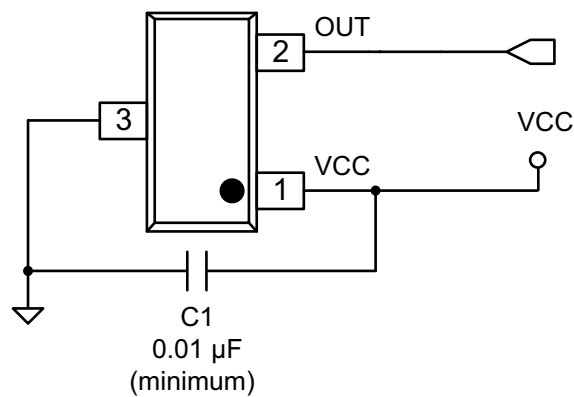


Figure 12. Typical Application Schematic – No Filter

##### 8.2.1.1 Design Requirements

For this design example, use the parameters listed in [Table 2](#) as the input parameters.

Table 2. Design Parameters

DESIGN PARAMETER	REFERENCE	EXAMPLE VALUE
System bandwidth	$f_{BW}$	15 kHz

##### 8.2.1.2 Detailed Design Procedure

The DRV5053-Q1 has internal filtering that limits the bandwidth to at least 20 kHz. For this application no external components are required other than the C1 bypass capacitor, which is 0.01  $\mu$ F minimum. If the analog output OUT is tied to a microcontroller ADC input, the equivalent load must be  $R > 10$  k $\Omega$  and  $C < 10$  nF.

Table 3. External Components

COMPONENT	PIN 1	PIN 2	RECOMMENDED
C1	V <sub>CC</sub>	GND	A 0.01- $\mu$ F (minimum) ceramic capacitor rated for V <sub>CC</sub>

### 8.2.1.3 Application Curve

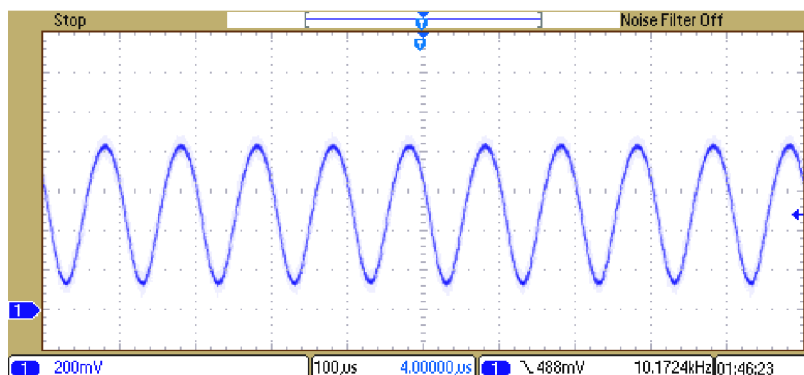


Figure 13. 10-kHz Switching Magnetic Field

### 8.2.2 Filtered Typical Application

For lower noise on the analog output OUT, additional RC filtering can be added to further reduce the bandwidth.

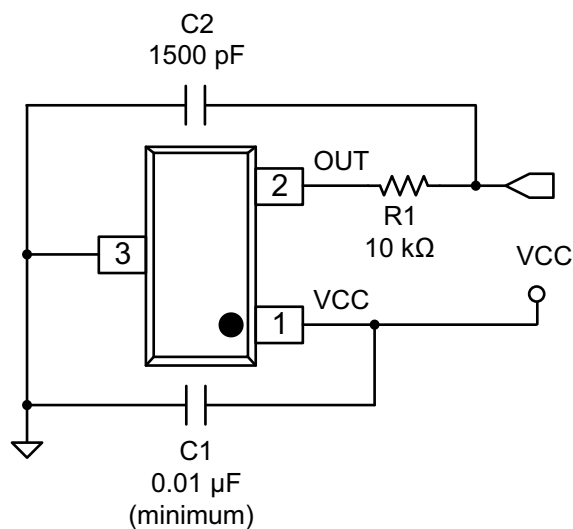


Figure 14. Filtered Typical Application Schematic

#### 8.2.2.1 Design Requirements

For this design example, use the parameters listed in Table 4 as the input parameters.

Table 4. Design Parameters

DESIGN PARAMETER	REFERENCE	EXAMPLE VALUE
System bandwidth	$f_{BW}$	5 kHz

### 8.2.2.2 Detailed Design Procedure

In this example we will add an external RC filter in order to reduce the output bandwidth.

In order to preserve the signal at the frequencies of interest, we will conservatively select a low-pass filter bandwidth (–3-dB point) at twice the system bandwidth (10 kHz).

$$10 \text{ kHz} < \frac{1}{2\pi \times R_1 \times C_2} \tag{1}$$

If we guess R1 = 10 kΩ, then C2 < 1590 pF. So we select C2 = 1500 pF.

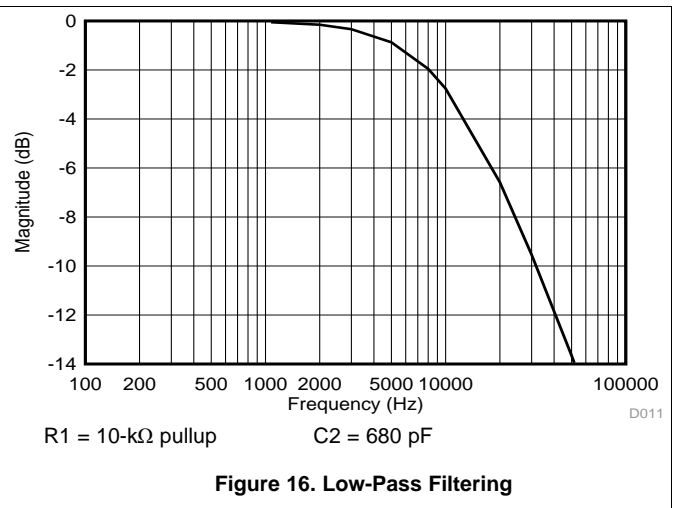
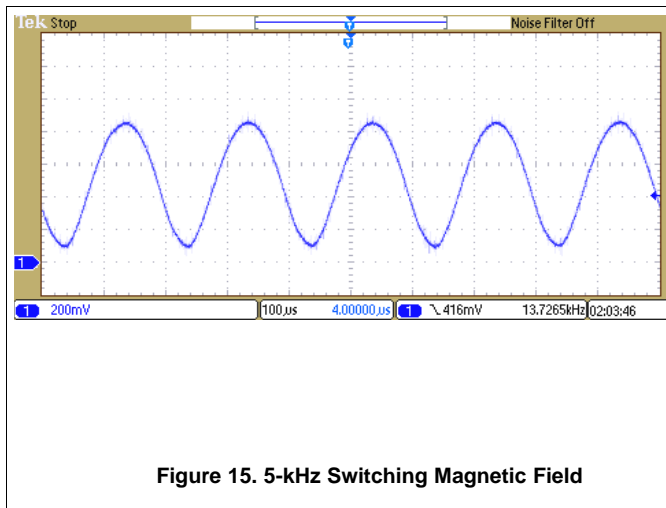
#### 8.2.2.2.1 Typical Noise Versus Cutoff Frequency

RC filters are an effective way to reduce the noise present on OUT. The following shows typical noise measurements for different cutoff frequencies using the DRV5053VA.

**Table 5. DRV5053VA Typical Noise Data**

R (Ω)	C (μF)	f <sub>CUTOFF</sub> (kHz)	NOISE (mVpp)
163	0.1	9.8	30.4
349	0.1	4.6	22.8
750	0.1	2.1	15.2
1505	0.1	1.1	9.7
3322	0.1	0.5	5.3
7510	0.1	0.2	2.5

### 8.2.2.3 Application Curves



## 9 Power Supply Recommendations

The DRV5053-Q1 device is designed to operate from an input voltage supply (VM) range between 2.7 and 38 V. A 0.01-μF (minimum) ceramic capacitor rated for V<sub>CC</sub> must be placed as close to the DRV5053-Q1 device as possible.

## 10 Device and Documentation Support

### 10.1 Device Support

#### 10.1.1 Device Nomenclature

Figure 17 shows a legend for reading the complete device name for the DRV5053-Q1 device.

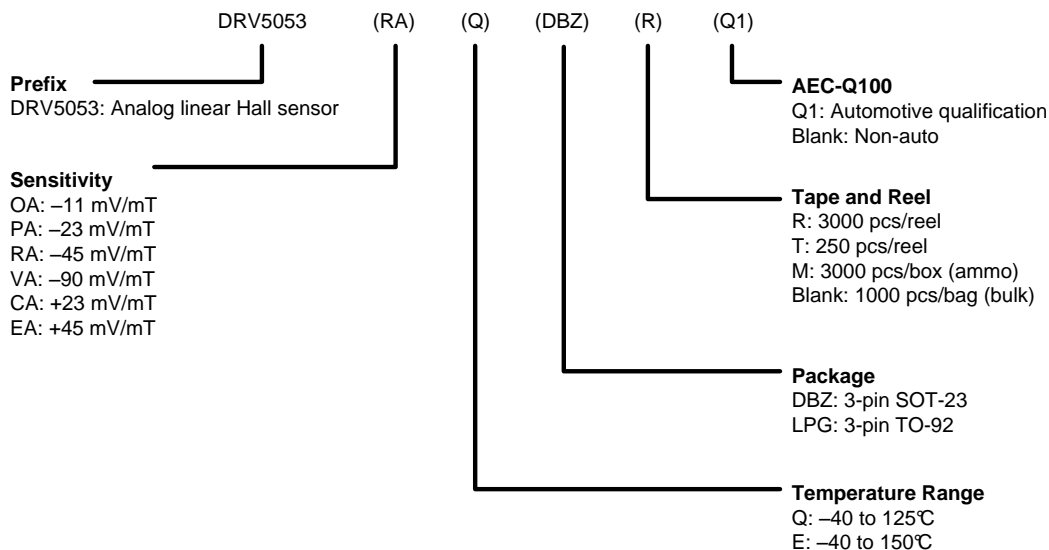


Figure 17. Device Nomenclature

#### 10.1.2 Device Markings

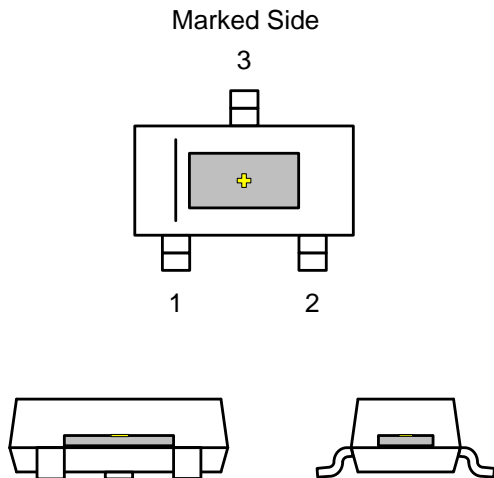


Figure 18. SOT-23 (DBZ) Package

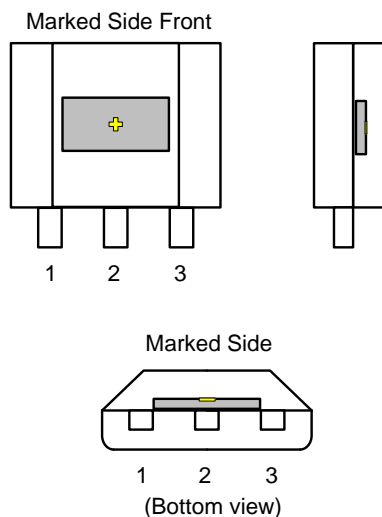


Figure 19. TO-92 (LPG) Package

⊕ indicates the Hall effect sensor (not to scale). The Hall element is located in the center of the package with a tolerance of  $\pm 100 \mu\text{m}$ . The height of the Hall element from the bottom of the package is  $0.7 \text{ mm} \pm 50 \mu\text{m}$  in the DBZ package and  $0.987 \text{ mm} \pm 50 \mu\text{m}$  in the LPG package.

## 10.2 Community Resources

The following links connect to TI community resources. Linked contents are provided "AS IS" by the respective contributors. They do not constitute TI specifications and do not necessarily reflect TI's views; see TI's [Terms of Use](#).

**TI E2E™ Online Community** *TI's Engineer-to-Engineer (E2E) Community*. Created to foster collaboration among engineers. At [e2e.ti.com](http://e2e.ti.com), you can ask questions, share knowledge, explore ideas and help solve problems with fellow engineers.

**Design Support** *TI's Design Support* Quickly find helpful E2E forums along with design support tools and contact information for technical support.

## 10.3 Trademarks

E2E is a trademark of Texas Instruments.  
All other trademarks are the property of their respective owners.

## 10.4 Electrostatic Discharge Caution



These devices have limited built-in ESD protection. The leads should be shorted together or the device placed in conductive foam during storage or handling to prevent electrostatic damage to the MOS gates.

## 10.5 Glossary

[SLYZ022](#) — *TI Glossary*.

This glossary lists and explains terms, acronyms, and definitions.

## 11 Mechanical, Packaging, and Orderable Information

The following pages include mechanical, packaging, and orderable information. This information is the most current data available for the designated devices. This data is subject to change without notice and revision of this document. For browser-based versions of this data sheet, refer to the left-hand navigation.



**PACKAGING INFORMATION**

Orderable Device	Status (1)	Package Type	Package Drawing	Pins	Package Qty	Eco Plan (2)	Lead/Ball Finish (6)	MSL Peak Temp (3)	Op Temp (°C)	Device Marking (4/5)	Samples
DRV5053CAEDBZRQ1	ACTIVE	SOT-23	DBZ	3	3000	Green (RoHS & no Sb/Br)	CU NIPDAUAG	Level-1-260C-UNLIM	-40 to 150	+AJCA	<a href="#">Samples</a>
DRV5053CAEDBZTQ1	ACTIVE	SOT-23	DBZ	3	250	Green (RoHS & no Sb/Br)	CU NIPDAUAG	Level-1-260C-UNLIM	-40 to 150	+AJCA	<a href="#">Samples</a>
DRV5053CAELPGMQ1	ACTIVE	TO-92	LPG	3	3000	Green (RoHS & no Sb/Br)	CU SN	N / A for Pkg Type	-40 to 150	+AJCA	<a href="#">Samples</a>
DRV5053CAELPGQ1	ACTIVE	TO-92	LPG	3	1000	Green (RoHS & no Sb/Br)	CU SN	N / A for Pkg Type	-40 to 150	+AJCA	<a href="#">Samples</a>
DRV5053CAQDBZRQ1	ACTIVE	SOT-23	DBZ	3	3000	Green (RoHS & no Sb/Br)	CU NIPDAUAG	Level-1-260C-UNLIM	-40 to 125	+AKCA	<a href="#">Samples</a>
DRV5053CAQDBZTQ1	ACTIVE	SOT-23	DBZ	3	250	Green (RoHS & no Sb/Br)	CU NIPDAUAG	Level-1-260C-UNLIM	-40 to 125	+AKCA	<a href="#">Samples</a>
DRV5053CAQLPGMQ1	ACTIVE	TO-92	LPG	3	3000	Green (RoHS & no Sb/Br)	CU SN	N / A for Pkg Type	-40 to 125	+AKCA	<a href="#">Samples</a>
DRV5053CAQLPGQ1	ACTIVE	TO-92	LPG	3	1000	Green (RoHS & no Sb/Br)	CU SN	N / A for Pkg Type	-40 to 125	+AKCA	<a href="#">Samples</a>
DRV5053EAEDBZRQ1	ACTIVE	SOT-23	DBZ	3	3000	Green (RoHS & no Sb/Br)	CU NIPDAUAG	Level-1-260C-UNLIM	-40 to 150	+AJEA	<a href="#">Samples</a>
DRV5053EAEDBZTQ1	ACTIVE	SOT-23	DBZ	3	250	Green (RoHS & no Sb/Br)	CU NIPDAUAG	Level-1-260C-UNLIM	-40 to 150	+AJEA	<a href="#">Samples</a>
DRV5053EAELPGMQ1	ACTIVE	TO-92	LPG	3	3000	Green (RoHS & no Sb/Br)	CU SN	N / A for Pkg Type	-40 to 150	+AJEA	<a href="#">Samples</a>
DRV5053EAELPGQ1	ACTIVE	TO-92	LPG	3	1000	Green (RoHS & no Sb/Br)	CU SN	N / A for Pkg Type	-40 to 150	+AJEA	<a href="#">Samples</a>
DRV5053EAQDBZRQ1	ACTIVE	SOT-23	DBZ	3	3000	Green (RoHS & no Sb/Br)	CU NIPDAUAG	Level-1-260C-UNLIM	-40 to 150	+AKEA	<a href="#">Samples</a>
DRV5053EAQDBZTQ1	ACTIVE	SOT-23	DBZ	3	250	Green (RoHS & no Sb/Br)	CU NIPDAUAG	Level-1-260C-UNLIM	-40 to 150	+AKEA	<a href="#">Samples</a>
DRV5053EAQLPGMQ1	ACTIVE	TO-92	LPG	3	3000	Green (RoHS & no Sb/Br)	CU SN	N / A for Pkg Type	-40 to 150	+AKEA	<a href="#">Samples</a>
DRV5053EAQLPGQ1	ACTIVE	TO-92	LPG	3	1000	Green (RoHS & no Sb/Br)	CU SN	N / A for Pkg Type	-40 to 125	+AKEA	<a href="#">Samples</a>
DRV5053OAEDBZRQ1	ACTIVE	SOT-23	DBZ	3	3000	Green (RoHS & no Sb/Br)	CU NIPDAUAG	Level-1-260C-UNLIM	-40 to 150	+AJOA	<a href="#">Samples</a>

Orderable Device	Status (1)	Package Type	Package Drawing	Pins	Package Qty	Eco Plan (2)	Lead/Ball Finish (6)	MSL Peak Temp (3)	Op Temp (°C)	Device Marking (4/5)	Samples
DRV5053OAEDBZTQ1	ACTIVE	SOT-23	DBZ	3	250	Green (RoHS & no Sb/Br)	CU NIPDAUAG	Level-1-260C-UNLIM	-40 to 150	+AJOA	<a href="#">Samples</a>
DRV5053OAELPGMQ1	ACTIVE	TO-92	LPG	3	3000	Green (RoHS & no Sb/Br)	CU SN	N / A for Pkg Type	-40 to 150	+AJOA	<a href="#">Samples</a>
DRV5053OAELPGQ1	ACTIVE	TO-92	LPG	3	1000	Green (RoHS & no Sb/Br)	CU SN	N / A for Pkg Type	-40 to 150	+AJOA	<a href="#">Samples</a>
DRV5053OAQDBZRQ1	ACTIVE	SOT-23	DBZ	3	3000	Green (RoHS & no Sb/Br)	CU NIPDAUAG	Level-1-260C-UNLIM	-40 to 125	+AKOA	<a href="#">Samples</a>
DRV5053OAQDBZTQ1	ACTIVE	SOT-23	DBZ	3	250	Green (RoHS & no Sb/Br)	CU NIPDAUAG	Level-1-260C-UNLIM	-40 to 125	+AKOA	<a href="#">Samples</a>
DRV5053OAQLPGMQ1	ACTIVE	TO-92	LPG	3	3000	Green (RoHS & no Sb/Br)	CU SN	N / A for Pkg Type	-40 to 125	+AKOA	<a href="#">Samples</a>
DRV5053OAQLPGQ1	ACTIVE	TO-92	LPG	3	1000	Green (RoHS & no Sb/Br)	CU SN	N / A for Pkg Type	-40 to 125	+AKOA	<a href="#">Samples</a>
DRV5053PAEDBZRQ1	ACTIVE	SOT-23	DBZ	3	3000	Green (RoHS & no Sb/Br)	CU NIPDAUAG	Level-1-260C-UNLIM	-40 to 150	+AJPA	<a href="#">Samples</a>
DRV5053PAEDBZTQ1	ACTIVE	SOT-23	DBZ	3	250	Green (RoHS & no Sb/Br)	CU NIPDAUAG	Level-1-260C-UNLIM	-40 to 150	+AJPA	<a href="#">Samples</a>
DRV5053PAELPGMQ1	ACTIVE	TO-92	LPG	3	3000	Green (RoHS & no Sb/Br)	CU SN	N / A for Pkg Type	-40 to 150	+AJPA	<a href="#">Samples</a>
DRV5053PAELPGQ1	ACTIVE	TO-92	LPG	3	1000	Green (RoHS & no Sb/Br)	CU SN	N / A for Pkg Type	-40 to 150	+AJPA	<a href="#">Samples</a>
DRV5053PAQDBZRQ1	ACTIVE	SOT-23	DBZ	3	3000	Green (RoHS & no Sb/Br)	CU NIPDAUAG	Level-1-260C-UNLIM	-40 to 125	+AKPA	<a href="#">Samples</a>
DRV5053PAQDBZTQ1	ACTIVE	SOT-23	DBZ	3	250	Green (RoHS & no Sb/Br)	CU NIPDAUAG	Level-1-260C-UNLIM	-40 to 125	+AKPA	<a href="#">Samples</a>
DRV5053PAQLPGMQ1	ACTIVE	TO-92	LPG	3	3000	Green (RoHS & no Sb/Br)	CU SN	N / A for Pkg Type	-40 to 125	+AKPA	<a href="#">Samples</a>
DRV5053PAQLPGQ1	ACTIVE	TO-92	LPG	3	1000	Green (RoHS & no Sb/Br)	CU SN	N / A for Pkg Type	-40 to 125	+AKPA	<a href="#">Samples</a>
DRV5053RAEDBZRQ1	ACTIVE	SOT-23	DBZ	3	3000	Green (RoHS & no Sb/Br)	CU NIPDAUAG	Level-1-260C-UNLIM	-40 to 150	+AJRA	<a href="#">Samples</a>
DRV5053RAEDBZTQ1	ACTIVE	SOT-23	DBZ	3	250	Green (RoHS & no Sb/Br)	CU NIPDAUAG	Level-1-260C-UNLIM	-40 to 150	+AJRA	<a href="#">Samples</a>
DRV5053RAELPGMQ1	ACTIVE	TO-92	LPG	3	3000	Green (RoHS & no Sb/Br)	CU SN	N / A for Pkg Type	-40 to 150	+AJRA	<a href="#">Samples</a>

Orderable Device	Status (1)	Package Type	Package Drawing	Pins	Package Qty	Eco Plan (2)	Lead/Ball Finish (6)	MSL Peak Temp (3)	Op Temp (°C)	Device Marking (4/5)	Samples
DRV5053RAELPGQ1	ACTIVE	TO-92	LPG	3	1000	Green (RoHS & no Sb/Br)	CU SN	N / A for Pkg Type	-40 to 150	+AJRA	<a href="#">Samples</a>
DRV5053RAQDBZRQ1	ACTIVE	SOT-23	DBZ	3	3000	Green (RoHS & no Sb/Br)	CU NIPDAUAG	Level-1-260C-UNLIM	-40 to 125	+AKRA	<a href="#">Samples</a>
DRV5053RAQDBZTQ1	ACTIVE	SOT-23	DBZ	3	250	Green (RoHS & no Sb/Br)	CU NIPDAUAG	Level-1-260C-UNLIM	-40 to 125	+AKRA	<a href="#">Samples</a>
DRV5053RAQLPGMQ1	ACTIVE	TO-92	LPG	3	3000	Green (RoHS & no Sb/Br)	CU SN	N / A for Pkg Type	-40 to 125	+AKRA	<a href="#">Samples</a>
DRV5053RAQLPGQ1	ACTIVE	TO-92	LPG	3	1000	Green (RoHS & no Sb/Br)	CU SN	N / A for Pkg Type		+AKRA	<a href="#">Samples</a>
DRV5053VAEDBZRQ1	ACTIVE	SOT-23	DBZ	3	3000	Green (RoHS & no Sb/Br)	CU NIPDAUAG	Level-1-260C-UNLIM	-40 to 150	+AJVA	<a href="#">Samples</a>
DRV5053VAEDBZTQ1	ACTIVE	SOT-23	DBZ	3	250	Green (RoHS & no Sb/Br)	CU NIPDAUAG	Level-1-260C-UNLIM	-40 to 150	+AJVA	<a href="#">Samples</a>
DRV5053VAELPGMQ1	ACTIVE	TO-92	LPG	3	3000	Green (RoHS & no Sb/Br)	CU SN	N / A for Pkg Type	-40 to 150	+AJVA	<a href="#">Samples</a>
DRV5053VAELPGQ1	ACTIVE	TO-92	LPG	3	1000	Green (RoHS & no Sb/Br)	CU SN	N / A for Pkg Type	-40 to 150	+AJVA	<a href="#">Samples</a>
DRV5053VAQDBZRQ1	ACTIVE	SOT-23	DBZ	3	3000	Green (RoHS & no Sb/Br)	CU NIPDAUAG	Level-1-260C-UNLIM	-40 to 125	+AKVA	<a href="#">Samples</a>
DRV5053VAQDBZTQ1	ACTIVE	SOT-23	DBZ	3	250	Green (RoHS & no Sb/Br)	CU NIPDAUAG	Level-1-260C-UNLIM	-40 to 125	+AKVA	<a href="#">Samples</a>
DRV5053VAQLPGMQ1	ACTIVE	TO-92	LPG	3	3000	Green (RoHS & no Sb/Br)	CU SN	N / A for Pkg Type	-40 to 125	+AKVA	<a href="#">Samples</a>
DRV5053VAQLPGQ1	ACTIVE	TO-92	LPG	3	1000	Green (RoHS & no Sb/Br)	CU SN	N / A for Pkg Type	-40 to 125	+AKVA	<a href="#">Samples</a>

(1) The marketing status values are defined as follows:

**ACTIVE:** Product device recommended for new designs.

**LIFEBUY:** TI has announced that the device will be discontinued, and a lifetime-buy period is in effect.

**NRND:** Not recommended for new designs. Device is in production to support existing customers, but TI does not recommend using this part in a new design.

**PREVIEW:** Device has been announced but is not in production. Samples may or may not be available.

**OBSOLETE:** TI has discontinued the production of the device.

(2) **RoHS:** TI defines "RoHS" to mean semiconductor products that are compliant with the current EU RoHS requirements for all 10 RoHS substances, including the requirement that RoHS substance do not exceed 0.1% by weight in homogeneous materials. Where designed to be soldered at high temperatures, "RoHS" products are suitable for use in specified lead-free processes. TI may reference these types of products as "Pb-Free".

---

**RoHS Exempt:** TI defines "RoHS Exempt" to mean products that contain lead but are compliant with EU RoHS pursuant to a specific EU RoHS exemption.

**Green:** TI defines "Green" to mean the content of Chlorine (Cl) and Bromine (Br) based flame retardants meet JS709B low halogen requirements of  $\leq 1000$ ppm threshold. Antimony trioxide based flame retardants must also meet the  $\leq 1000$ ppm threshold requirement.

(3) MSL, Peak Temp. - The Moisture Sensitivity Level rating according to the JEDEC industry standard classifications, and peak solder temperature.

(4) There may be additional marking, which relates to the logo, the lot trace code information, or the environmental category on the device.

(5) Multiple Device Markings will be inside parentheses. Only one Device Marking contained in parentheses and separated by a "~" will appear on a device. If a line is indented then it is a continuation of the previous line and the two combined represent the entire Device Marking for that device.

(6) Lead/Ball Finish - Orderable Devices may have multiple material finish options. Finish options are separated by a vertical ruled line. Lead/Ball Finish values may wrap to two lines if the finish value exceeds the maximum column width.

**Important Information and Disclaimer:** The information provided on this page represents TI's knowledge and belief as of the date that it is provided. TI bases its knowledge and belief on information provided by third parties, and makes no representation or warranty as to the accuracy of such information. Efforts are underway to better integrate information from third parties. TI has taken and continues to take reasonable steps to provide representative and accurate information but may not have conducted destructive testing or chemical analysis on incoming materials and chemicals. TI and TI suppliers consider certain information to be proprietary, and thus CAS numbers and other limited information may not be available for release.

In no event shall TI's liability arising out of such information exceed the total purchase price of the TI part(s) at issue in this document sold by TI to Customer on an annual basis.

**OTHER QUALIFIED VERSIONS OF DRV5053-Q1 :**

- Catalog: [DRV5053](#)

NOTE: Qualified Version Definitions:

- Catalog - TI's standard catalog product

## TAPE AND REEL INFORMATION



### QUADRANT ASSIGNMENTS FOR PIN 1 ORIENTATION IN TAPE

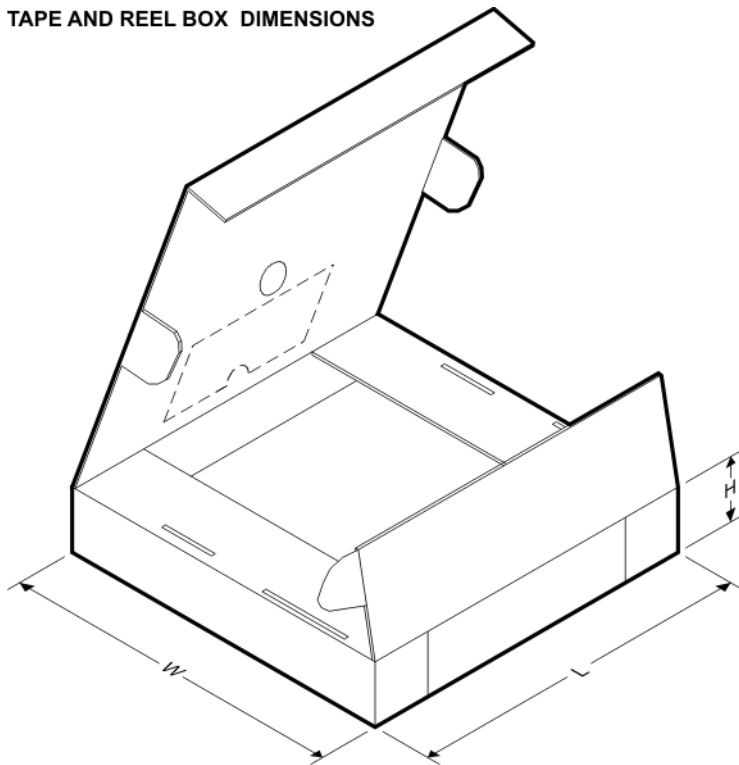


\*All dimensions are nominal

Device	Package Type	Package Drawing	Pins	SPQ	Reel Diameter (mm)	Reel Width W1 (mm)	A0 (mm)	B0 (mm)	K0 (mm)	P1 (mm)	W (mm)	Pin1 Quadrant
DRV5053CAEDBZRQ1	SOT-23	DBZ	3	3000	180.0	8.4	3.15	2.77	1.22	4.0	8.0	Q3
DRV5053CAEDBZTQ1	SOT-23	DBZ	3	250	180.0	8.4	3.15	2.77	1.22	4.0	8.0	Q3
DRV5053CAQDBZRQ1	SOT-23	DBZ	3	3000	180.0	8.4	3.15	2.77	1.22	4.0	8.0	Q3
DRV5053CAQDBZTQ1	SOT-23	DBZ	3	250	180.0	8.4	3.15	2.77	1.22	4.0	8.0	Q3
DRV5053EAEDBZRQ1	SOT-23	DBZ	3	3000	180.0	8.4	3.15	2.77	1.22	4.0	8.0	Q3
DRV5053EAEDBZTQ1	SOT-23	DBZ	3	250	180.0	8.4	3.15	2.77	1.22	4.0	8.0	Q3
DRV5053EAQDBZRQ1	SOT-23	DBZ	3	3000	180.0	8.4	3.15	2.77	1.22	4.0	8.0	Q3
DRV5053EAQDBZTQ1	SOT-23	DBZ	3	250	180.0	8.4	3.15	2.77	1.22	4.0	8.0	Q3
DRV5053OAEDBZRQ1	SOT-23	DBZ	3	3000	180.0	8.4	3.15	2.77	1.22	4.0	8.0	Q3
DRV5053OAEDBZTQ1	SOT-23	DBZ	3	250	180.0	8.4	3.15	2.77	1.22	4.0	8.0	Q3
DRV5053OAQDBZRQ1	SOT-23	DBZ	3	3000	180.0	8.4	3.15	2.77	1.22	4.0	8.0	Q3
DRV5053OAQDBZTQ1	SOT-23	DBZ	3	250	180.0	8.4	3.15	2.77	1.22	4.0	8.0	Q3
DRV5053PAEDBZRQ1	SOT-23	DBZ	3	3000	180.0	8.4	3.15	2.77	1.22	4.0	8.0	Q3
DRV5053PAEDBZTQ1	SOT-23	DBZ	3	250	180.0	8.4	3.15	2.77	1.22	4.0	8.0	Q3
DRV5053PAQDBZRQ1	SOT-23	DBZ	3	3000	180.0	8.4	3.15	2.77	1.22	4.0	8.0	Q3
DRV5053PAQDBZTQ1	SOT-23	DBZ	3	250	180.0	8.4	3.15	2.77	1.22	4.0	8.0	Q3
DRV5053RAEDBZRQ1	SOT-23	DBZ	3	3000	180.0	8.4	3.15	2.77	1.22	4.0	8.0	Q3
DRV5053RAEDBZTQ1	SOT-23	DBZ	3	250	180.0	8.4	3.15	2.77	1.22	4.0	8.0	Q3

Device	Package Type	Package Drawing	Pins	SPQ	Reel Diameter (mm)	Reel Width W1 (mm)	A0 (mm)	B0 (mm)	K0 (mm)	P1 (mm)	W (mm)	Pin1 Quadrant
DRV5053RAQDBZRQ1	SOT-23	DBZ	3	3000	180.0	8.4	3.15	2.77	1.22	4.0	8.0	Q3
DRV5053RAQDBZTQ1	SOT-23	DBZ	3	250	180.0	8.4	3.15	2.77	1.22	4.0	8.0	Q3
DRV5053VAEDBZRQ1	SOT-23	DBZ	3	3000	180.0	8.4	3.15	2.77	1.22	4.0	8.0	Q3
DRV5053VAEDBZTQ1	SOT-23	DBZ	3	250	180.0	8.4	3.15	2.77	1.22	4.0	8.0	Q3
DRV5053VAQDBZRQ1	SOT-23	DBZ	3	3000	180.0	8.4	3.15	2.77	1.22	4.0	8.0	Q3
DRV5053VAQDBZTQ1	SOT-23	DBZ	3	250	180.0	8.4	3.15	2.77	1.22	4.0	8.0	Q3

## TAPE AND REEL BOX DIMENSIONS



\*All dimensions are nominal

Device	Package Type	Package Drawing	Pins	SPQ	Length (mm)	Width (mm)	Height (mm)
DRV5053CAEDBZRQ1	SOT-23	DBZ	3	3000	202.0	201.0	28.0
DRV5053CAEDBZTQ1	SOT-23	DBZ	3	250	202.0	201.0	28.0
DRV5053CAQDBZRQ1	SOT-23	DBZ	3	3000	202.0	201.0	28.0
DRV5053CAQDBZTQ1	SOT-23	DBZ	3	250	202.0	201.0	28.0
DRV5053EAEDBZRQ1	SOT-23	DBZ	3	3000	202.0	201.0	28.0
DRV5053EAEDBZTQ1	SOT-23	DBZ	3	250	202.0	201.0	28.0
DRV5053EAQDBZRQ1	SOT-23	DBZ	3	3000	202.0	201.0	28.0
DRV5053EAQDBZTQ1	SOT-23	DBZ	3	250	202.0	201.0	28.0
DRV5053OAEEDBZRQ1	SOT-23	DBZ	3	3000	202.0	201.0	28.0
DRV5053OAEEDBZTQ1	SOT-23	DBZ	3	250	202.0	201.0	28.0
DRV5053OAQDBZRQ1	SOT-23	DBZ	3	3000	202.0	201.0	28.0

Device	Package Type	Package Drawing	Pins	SPQ	Length (mm)	Width (mm)	Height (mm)
DRV5053OQDBZTQ1	SOT-23	DBZ	3	250	202.0	201.0	28.0
DRV5053PAEDBZRQ1	SOT-23	DBZ	3	3000	202.0	201.0	28.0
DRV5053PAEDBZTQ1	SOT-23	DBZ	3	250	202.0	201.0	28.0
DRV5053PAQDBZRQ1	SOT-23	DBZ	3	3000	202.0	201.0	28.0
DRV5053PAQDBZTQ1	SOT-23	DBZ	3	250	202.0	201.0	28.0
DRV5053RAEDBZRQ1	SOT-23	DBZ	3	3000	202.0	201.0	28.0
DRV5053RAEDBZTQ1	SOT-23	DBZ	3	250	202.0	201.0	28.0
DRV5053RAQDBZRQ1	SOT-23	DBZ	3	3000	202.0	201.0	28.0
DRV5053RAQDBZTQ1	SOT-23	DBZ	3	250	202.0	201.0	28.0
DRV5053VAEDBZRQ1	SOT-23	DBZ	3	3000	202.0	201.0	28.0
DRV5053VAEDBZTQ1	SOT-23	DBZ	3	250	202.0	201.0	28.0
DRV5053VAQDBZRQ1	SOT-23	DBZ	3	3000	202.0	201.0	28.0
DRV5053VAQDBZTQ1	SOT-23	DBZ	3	250	202.0	201.0	28.0

## GENERIC PACKAGE VIEW

**DBZ 3**

**SOT-23 - 1.12 mm max height**

SMALL OUTLINE TRANSISTOR



Images above are just a representation of the package family, actual package may vary.  
Refer to the product data sheet for package details.

4203227/C



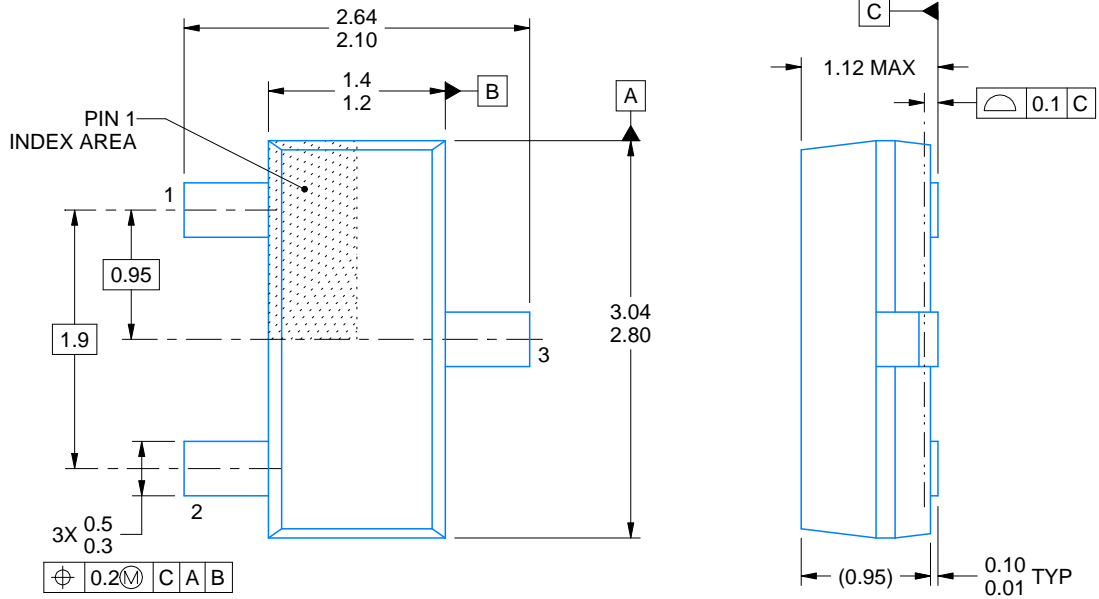
# DBZ0003A



# PACKAGE OUTLINE

## SOT-23 - 1.12 mm max height

SMALL OUTLINE TRANSISTOR



4214838/C 04/2017

### NOTES:

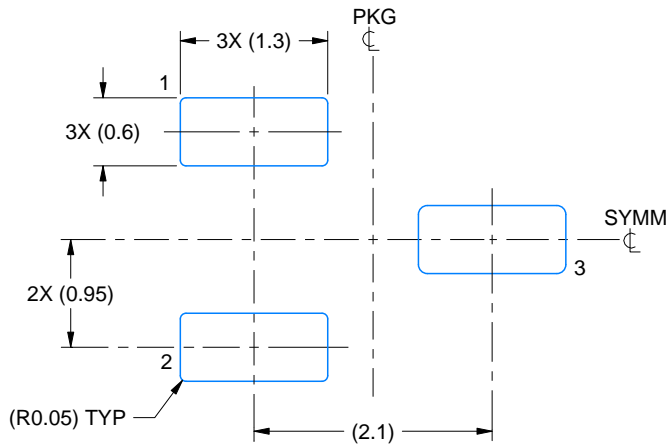
1. All linear dimensions are in millimeters. Any dimensions in parenthesis are for reference only. Dimensioning and tolerancing per ASME Y14.5M.
2. This drawing is subject to change without notice.
3. Reference JEDEC registration TO-236, except minimum foot length.

# EXAMPLE BOARD LAYOUT

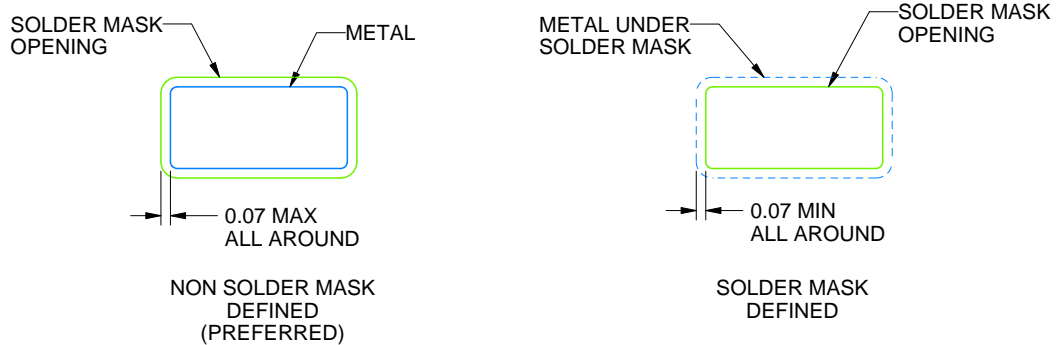
DBZ0003A

SOT-23 - 1.12 mm max height

SMALL OUTLINE TRANSISTOR



LAND PATTERN EXAMPLE  
SCALE:15X



SOLDER MASK DETAILS

4214838/C 04/2017

NOTES: (continued)

4. Publication IPC-7351 may have alternate designs.
5. Solder mask tolerances between and around signal pads can vary based on board fabrication site.

# EXAMPLE STENCIL DESIGN

DBZ0003A

SOT-23 - 1.12 mm max height

SMALL OUTLINE TRANSISTOR



SOLDER PASTE EXAMPLE  
BASED ON 0.125 THICK STENCIL  
SCALE:15X

4214838/C 04/2017

NOTES: (continued)

6. Laser cutting apertures with trapezoidal walls and rounded corners may offer better paste release. IPC-7525 may have alternate design recommendations.
7. Board assembly site may have different recommendations for stencil design.

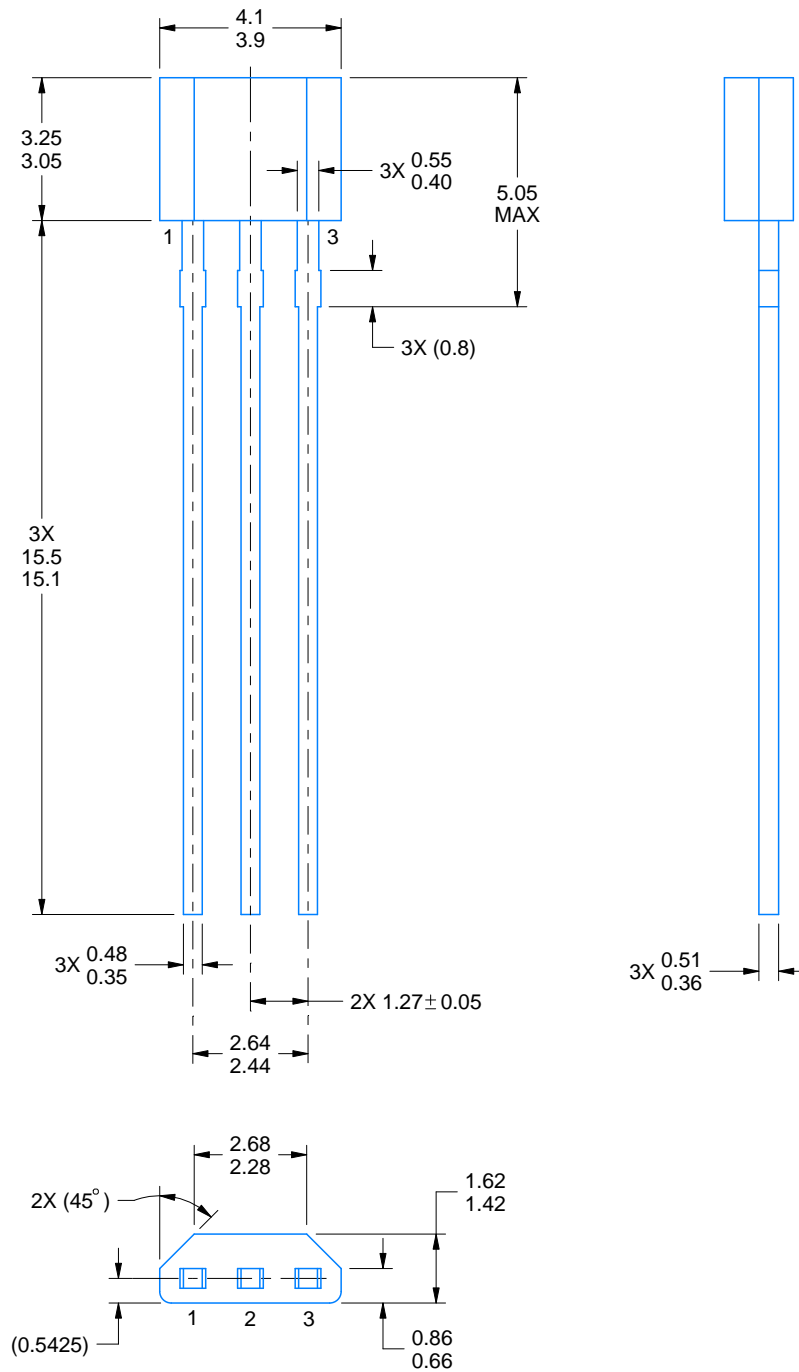
# LPG0003A



# PACKAGE OUTLINE

## TO-92 - 5.05 mm max height

TRANSISTOR OUTLINE



4221343/C 01/2018

### NOTES:

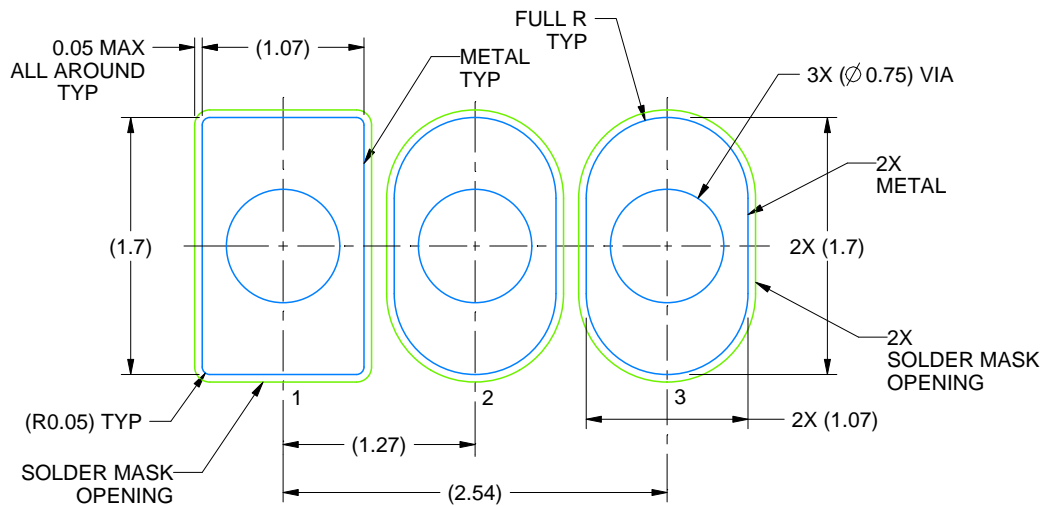
1. All linear dimensions are in millimeters. Any dimensions in parenthesis are for reference only. Dimensioning and tolerancing per ASME Y14.5M.
2. This drawing is subject to change without notice.

# EXAMPLE BOARD LAYOUT

LPG0003A

TO-92 - 5.05 mm max height

TRANSISTOR OUTLINE



LAND PATTERN EXAMPLE  
NON-SOLDER MASK DEFINED  
SCALE:20X

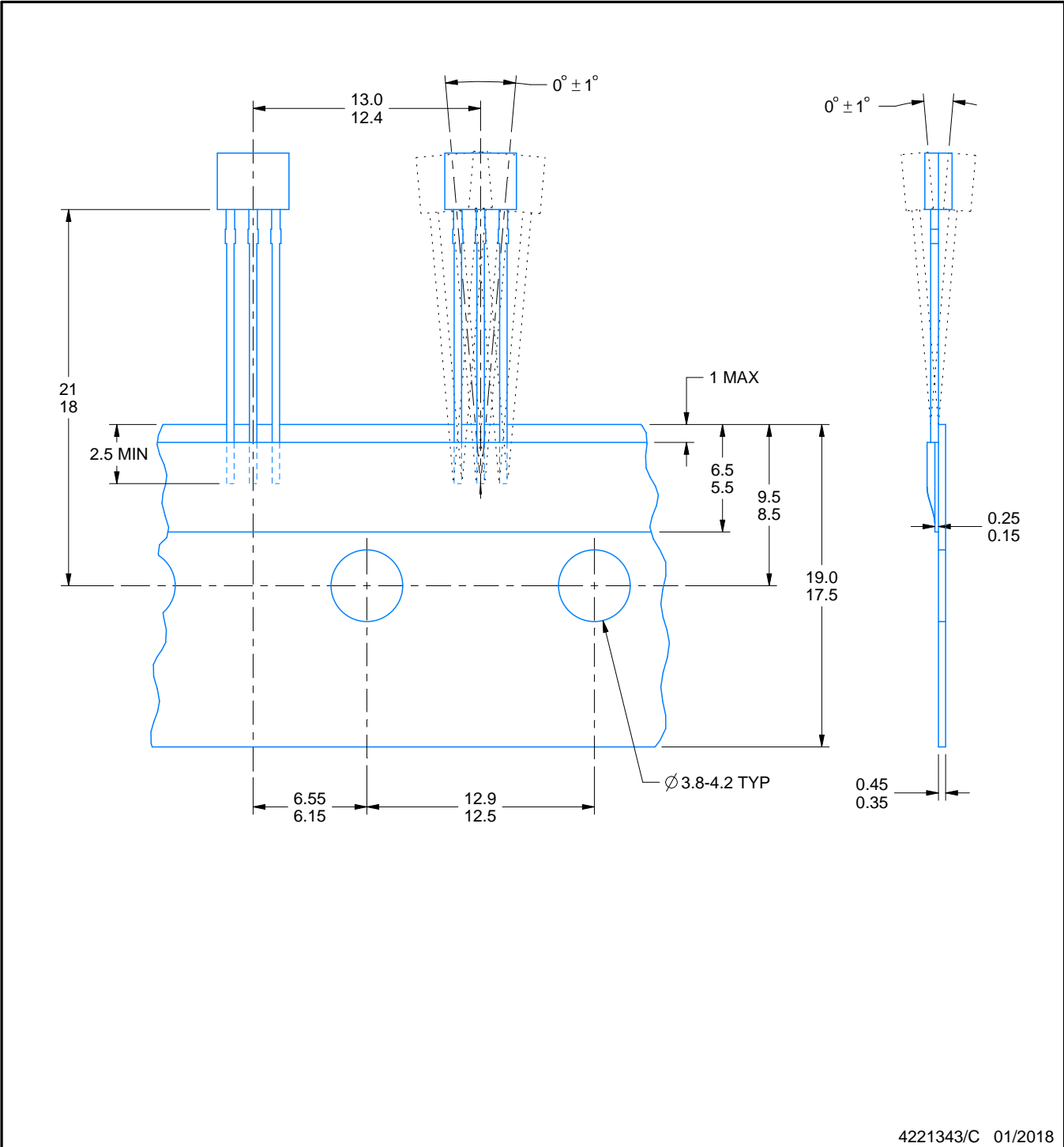
4221343/C 01/2018

# TAPE SPECIFICATIONS

LPG0003A

TO-92 - 5.05 mm max height

TRANSISTOR OUTLINE



4221343/C 01/2018

## IMPORTANT NOTICE AND DISCLAIMER

TI PROVIDES TECHNICAL AND RELIABILITY DATA (INCLUDING DATASHEETS), DESIGN RESOURCES (INCLUDING REFERENCE DESIGNS), APPLICATION OR OTHER DESIGN ADVICE, WEB TOOLS, SAFETY INFORMATION, AND OTHER RESOURCES "AS IS" AND WITH ALL FAULTS, AND DISCLAIMS ALL WARRANTIES, EXPRESS AND IMPLIED, INCLUDING WITHOUT LIMITATION ANY IMPLIED WARRANTIES OF MERCHANTABILITY, FITNESS FOR A PARTICULAR PURPOSE OR NON-INFRINGEMENT OF THIRD PARTY INTELLECTUAL PROPERTY RIGHTS.

These resources are intended for skilled developers designing with TI products. You are solely responsible for (1) selecting the appropriate TI products for your application, (2) designing, validating and testing your application, and (3) ensuring your application meets applicable standards, and any other safety, security, or other requirements. These resources are subject to change without notice. TI grants you permission to use these resources only for development of an application that uses the TI products described in the resource. Other reproduction and display of these resources is prohibited. No license is granted to any other TI intellectual property right or to any third party intellectual property right. TI disclaims responsibility for, and you will fully indemnify TI and its representatives against, any claims, damages, costs, losses, and liabilities arising out of your use of these resources.

TI's products are provided subject to TI's Terms of Sale ([www.ti.com/legal/termsofsale.html](http://www.ti.com/legal/termsofsale.html)) or other applicable terms available either on [ti.com](http://ti.com) or provided in conjunction with such TI products. TI's provision of these resources does not expand or otherwise alter TI's applicable warranties or warranty disclaimers for TI products.

Mailing Address: Texas Instruments, Post Office Box 655303, Dallas, Texas 75265  
Copyright © 2019, Texas Instruments Incorporated